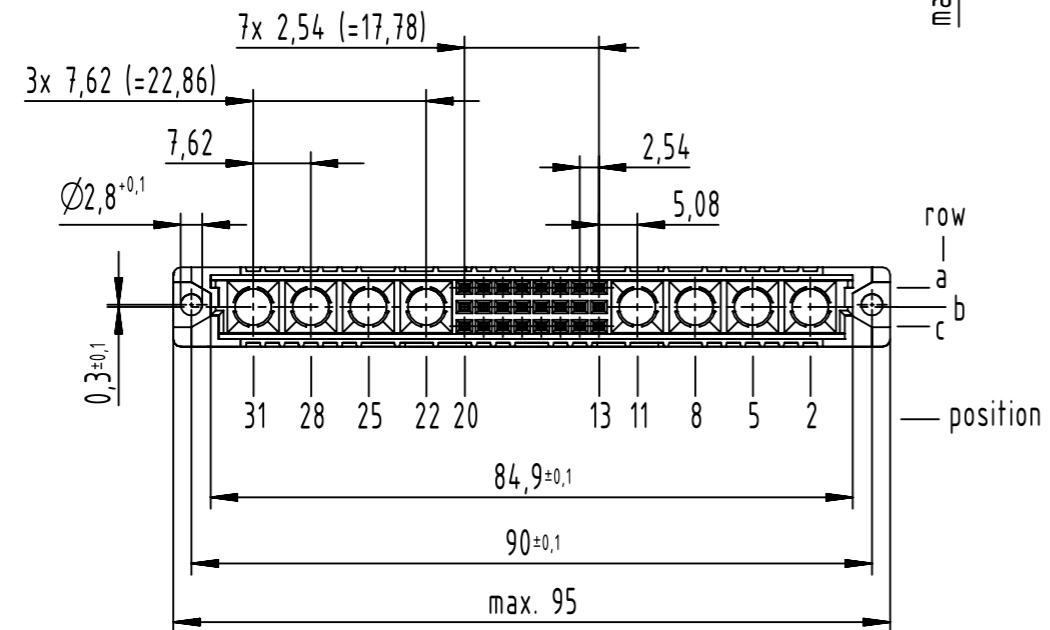
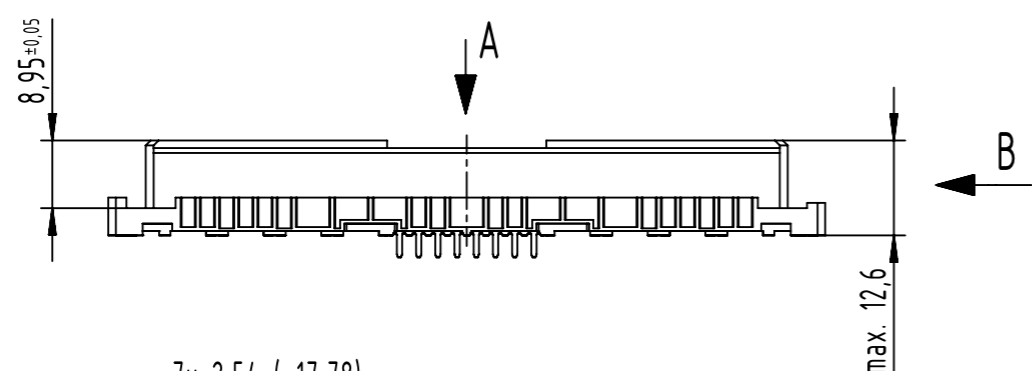
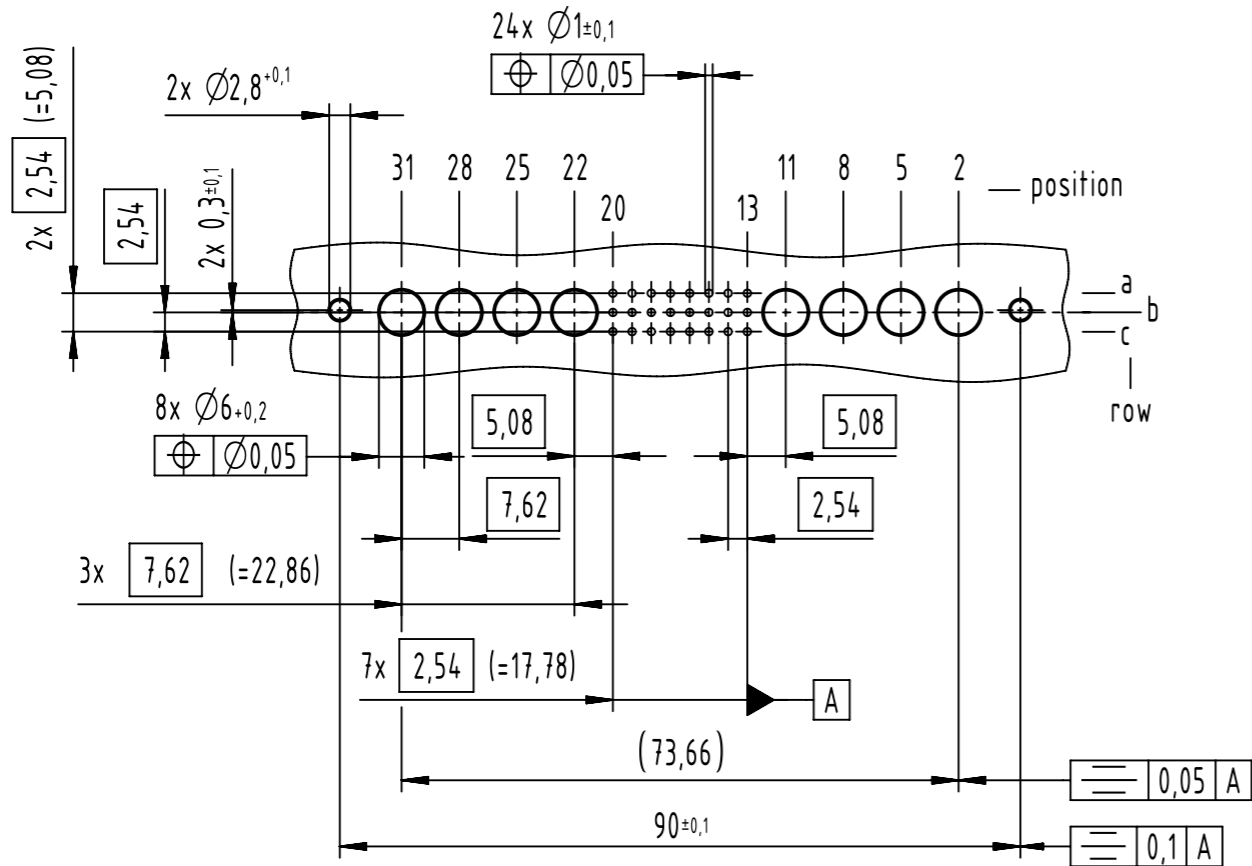
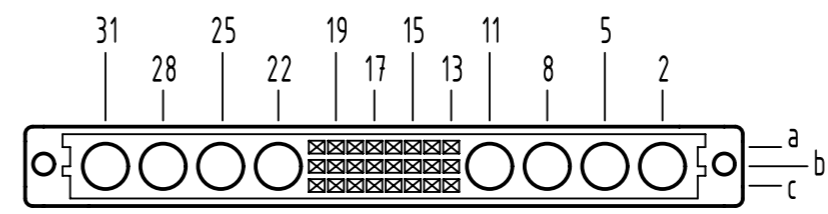


A
board drillings

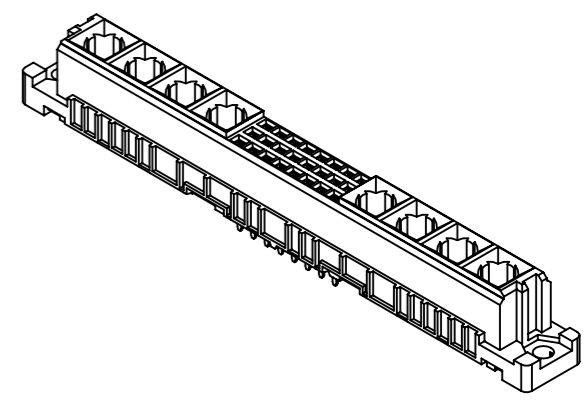
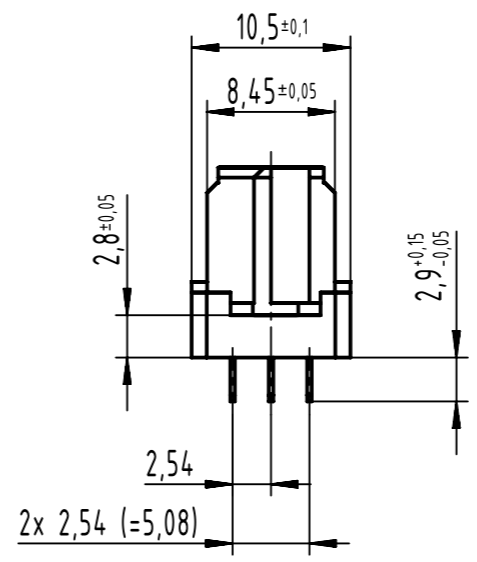


A
contact arrangement



24 solder contacts
 ☒ = solder contact
 □ = position without contact

B (2:1)



further information see product data sheet

09 03 224 6864	2
part no.	performance level

All rights reserved Department EL PD HARTING D-32339 Espelkamp	All Dimensions in mm Original Size DIN A3	Scale 1:1 Free size tol. IEC 60603-2	Ref. Sub.	Created by BUSSMANN T	Inspected by STORCK	Standardisation	Date 2023-09-13	State Final Release	Doc-Key / ECM-Nr. 100072218/UGD/032/E 500000252308
	Title DIN Signal type M24+8 flat female solder 2.9 24-pole	Type TB	Number 0903224X864	Rev. E	Page 1/1				