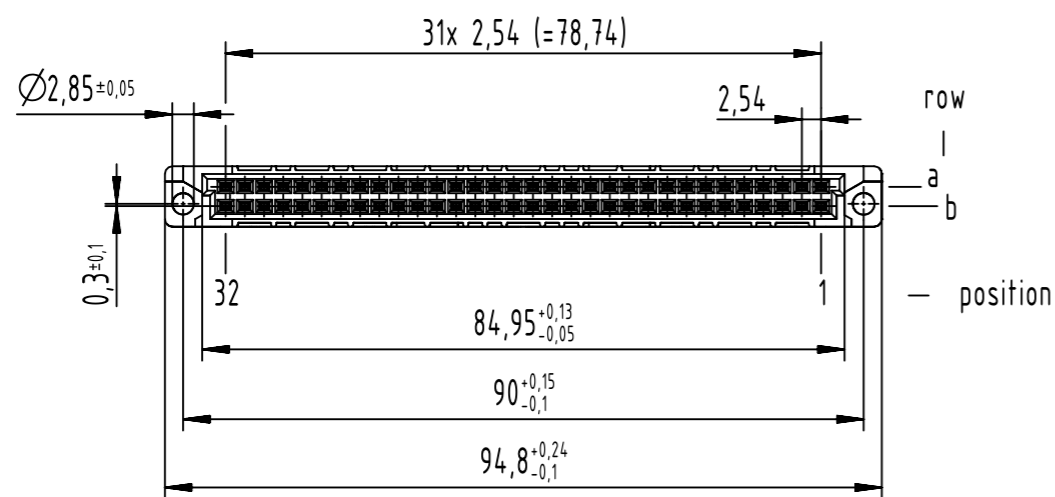
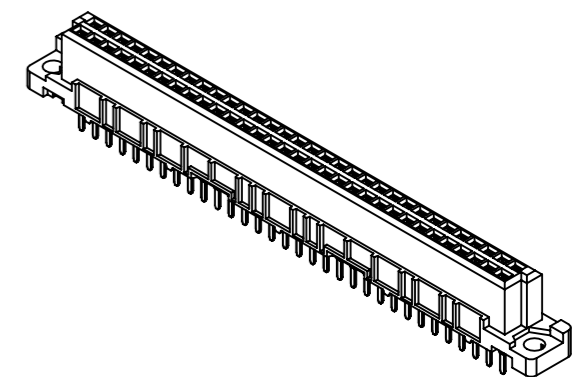
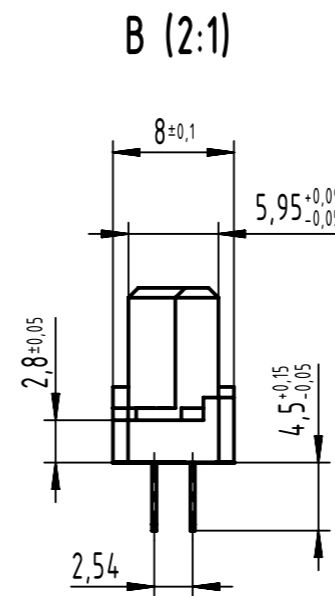
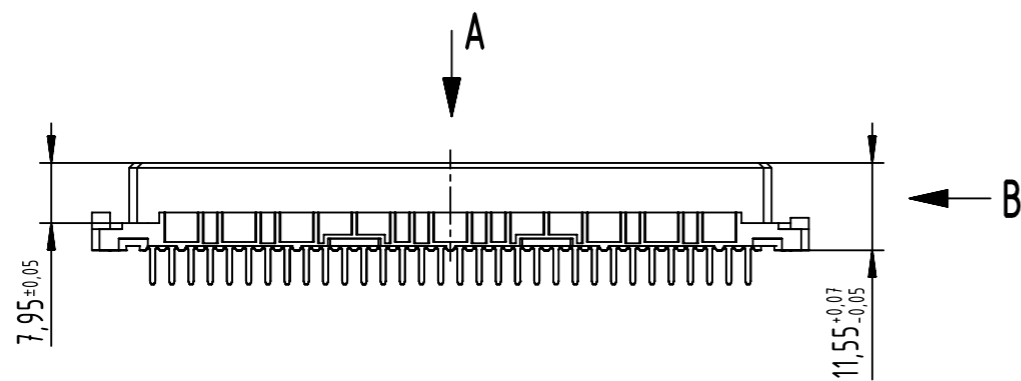


64 solder contacts

☒ = position with contact

□ = position without contact



only mateable with HARTING DIN NFF connector
 further information see product data sheet

09 02 264 6825 222	2
part-no.	performance level

	All Dimensions in mm Original Size DIN A3	Scale 1:1	Free size tol. complementary IEC 60603-2	Ref.
	All rights reserved Department EL PD	Created by 00103855	Inspected by STORCK	Standardisation
HARTING D-32339 Espelkamp	Title DIN Signal type B female solder 4.5 NFF 64-pole			Doc-Key / ECM-Nr. 100179617/UGD/031/D 50000222564
	Type TB	Number 0902264X825222	Date 2023-01-16	State Final Release
				Rev. D
				Page 1/1