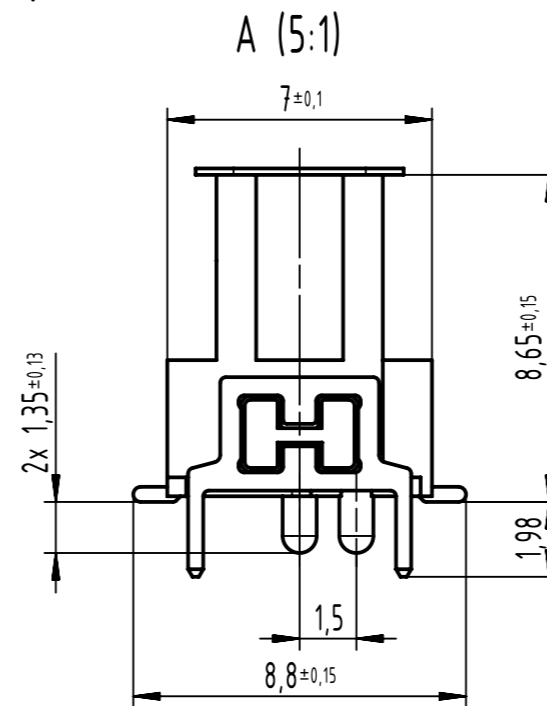
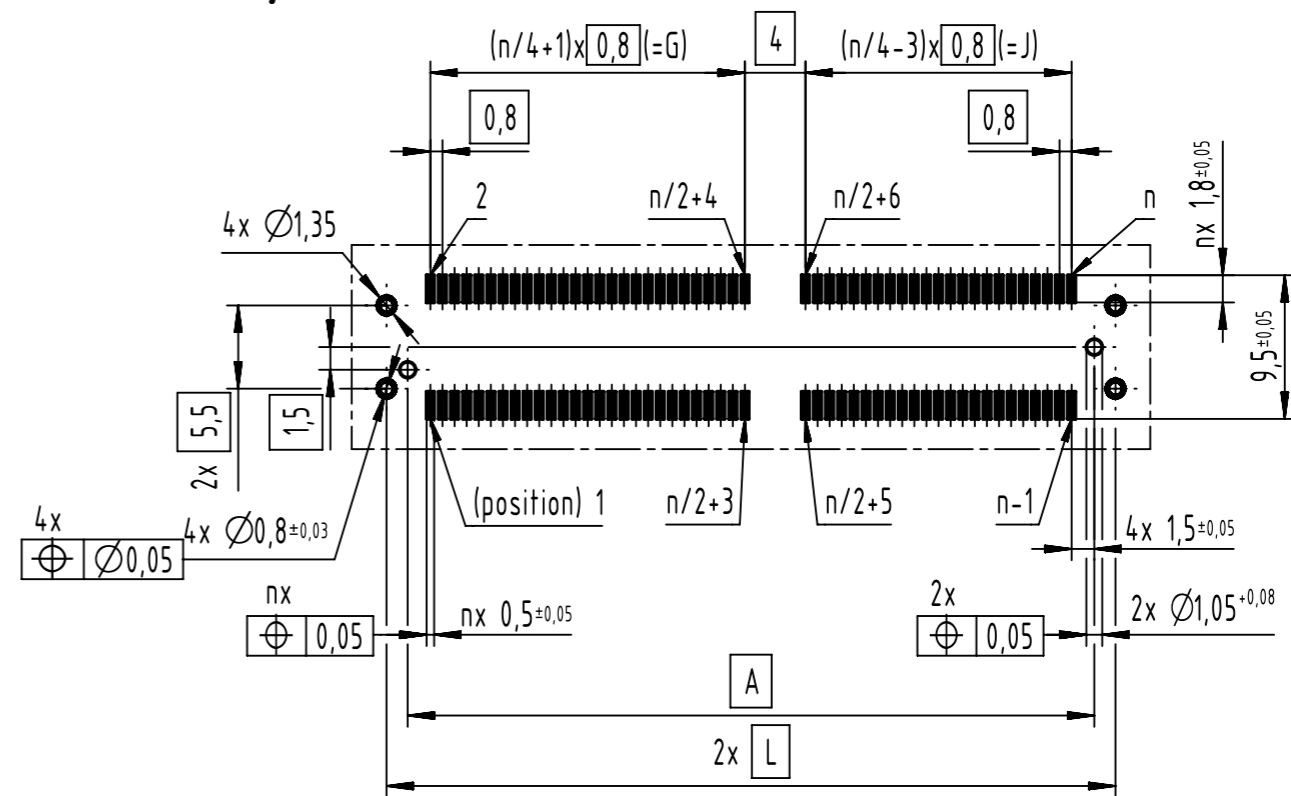
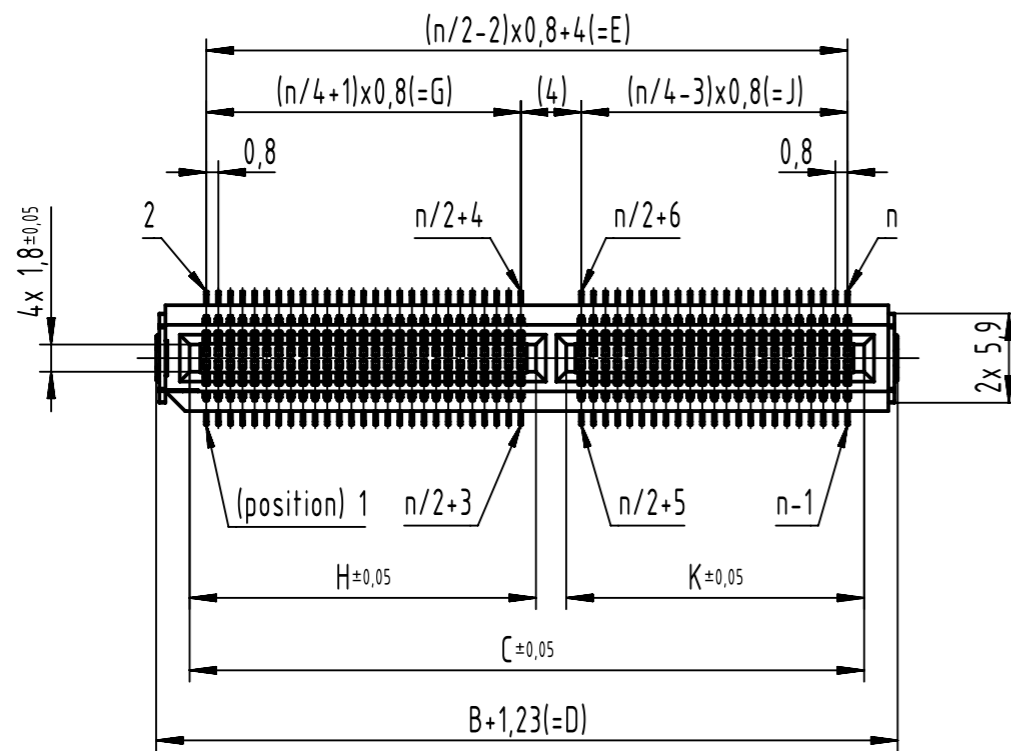
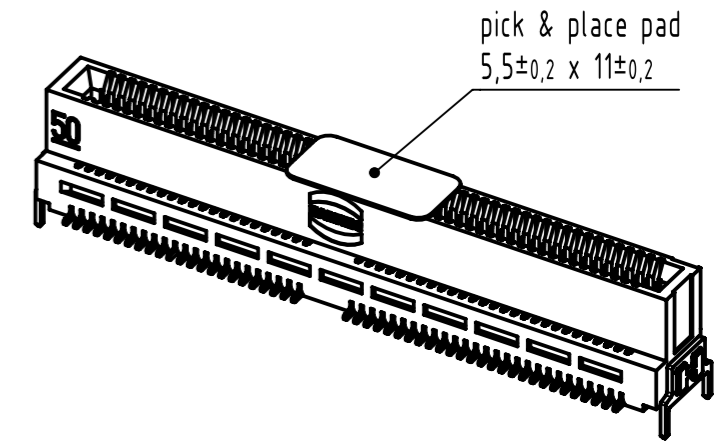


View without pick & place pad



Board layout



X = Performance level,
2 = PL1
5 = PLS4

XXX = Packaging information
000 = tape & reel with 200pcs per reel
333 = sample

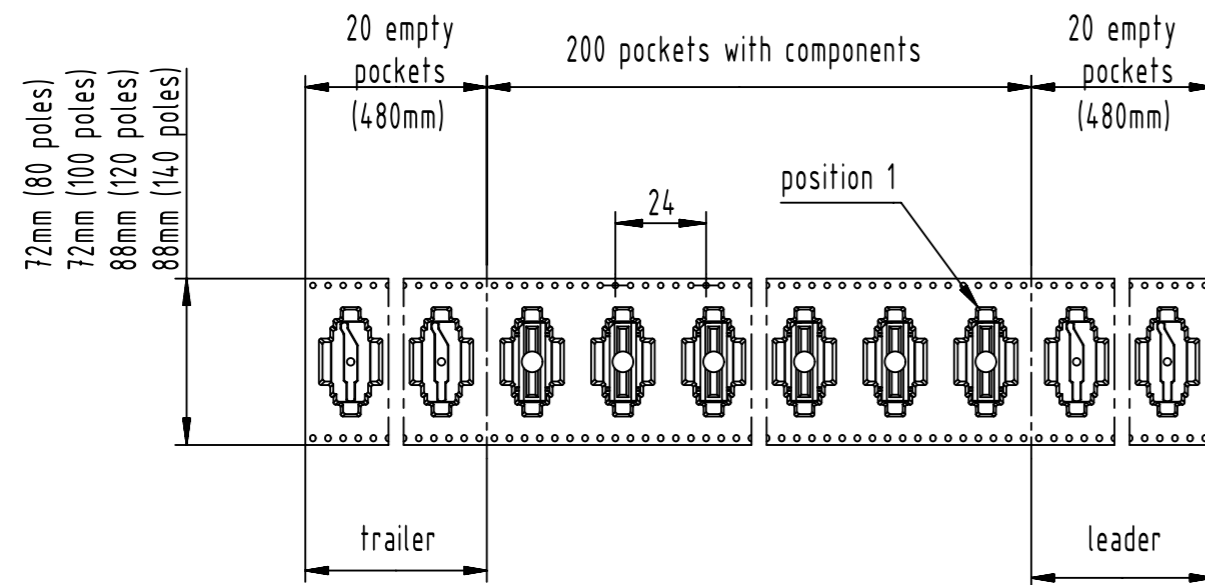
Part Number	poles no. (=n)	A	B	C	D	E	F	G	H	J	K	L	Description	All Dimensions in mm Original Size DIN A3			Scale 2:1	Free size tol.	Ref. Sub.		
15 04 080 X401 XXX	80	37,4	39,8	36,6	41,03	34,4	40,6	16,8	18,9	13,6	15,7	40,2	har-flex HD-Card Edge 80-pole with THR hold down	All rights reserved			Created by ZENGO	Inspected by LUOK	Standardisation 302077	Date 2020-11-26	State Final Release
15 04 100 X401 XXX	100	45,4	47,8	44,6	49,03	42,4	48,6	20,8	22,9	17,6	19,7	48,2	har-flex HD-Card Edge 100-pole with THR hold down	Department EL PD			Title har-flex HD-Card Edge 80 to 140-pole with THR				
15 04 120 X401 XXX	120	53,4	55,8	52,6	57,03	50,4	56,6	24,8	26,9	21,6	23,7	56,2	har-flex HD-Card Edge 120-pole with THR hold down	HARTING Electronics GmbH							
15 04 140 X401 XXX	140	61,4	63,8	60,6	65,03	58,4	64,6	28,8	30,9	25,6	27,7	64,2	har-flex HD-Card Edge 140-pole with THR hold down	D-32339 Espelkamp							



har-flex HD-Card Edge connector, straight, 80 to 140-pole



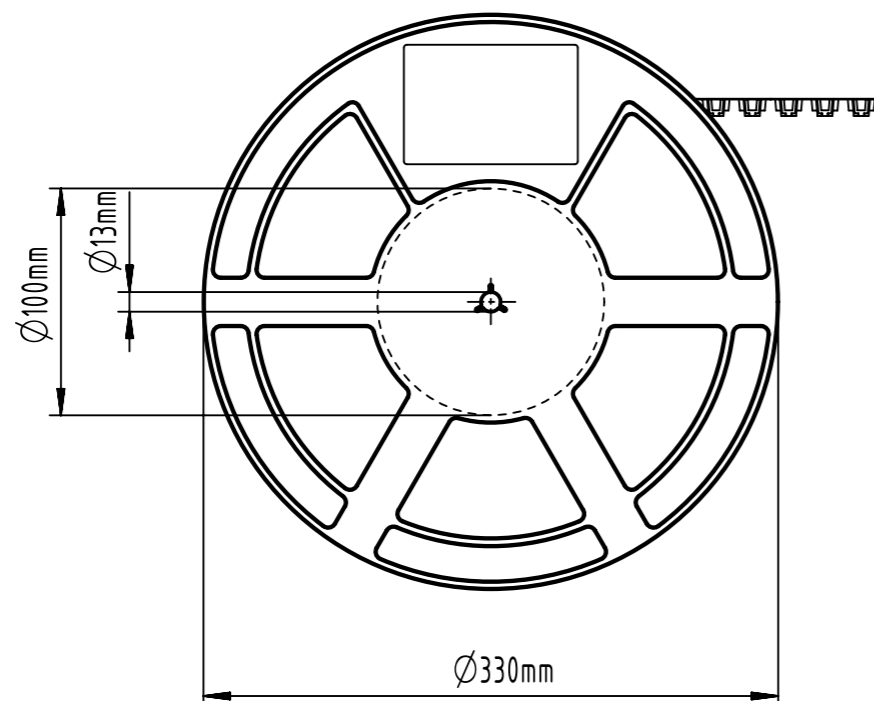
Tape layout & packaging



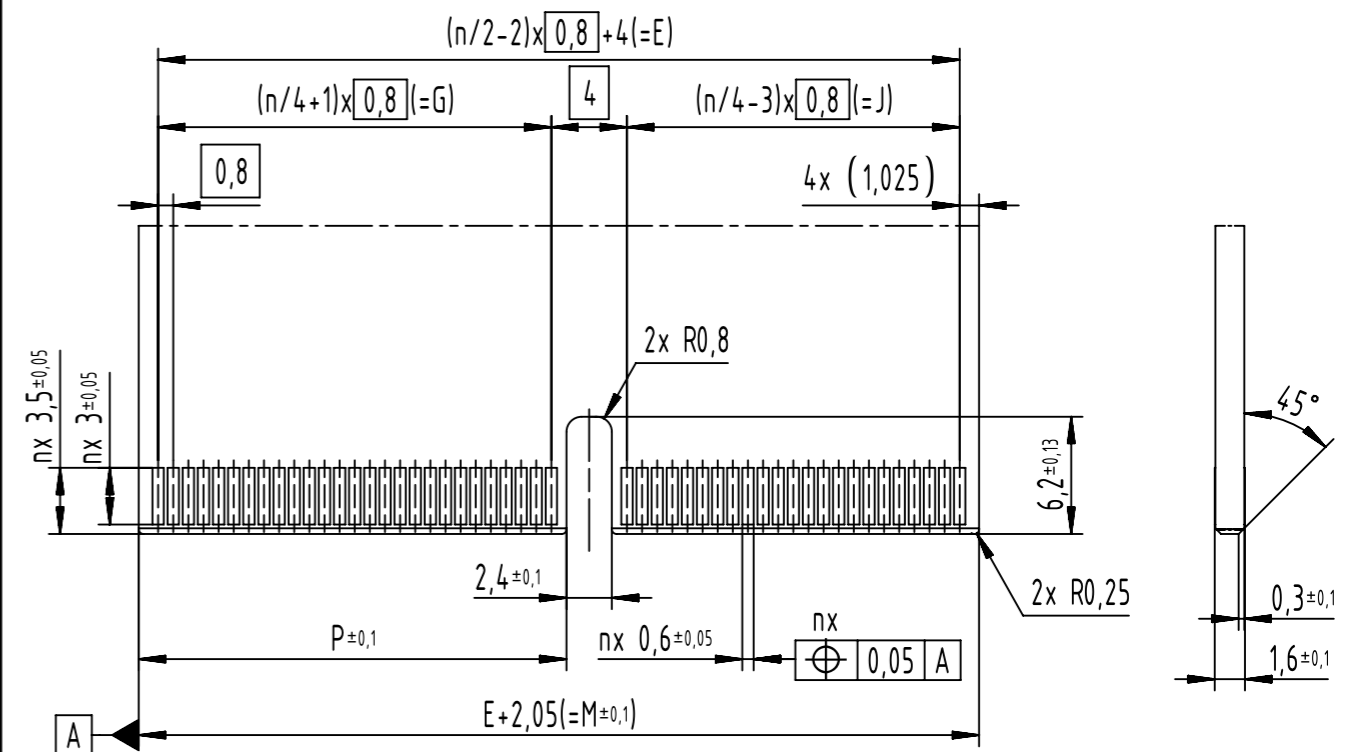
Packaging indices ("XXX" in part no.):

Index	Packaging unit	Packaging
000	200	Tape & Reel, one reel in one box
333	1	Tape

Reel dimension

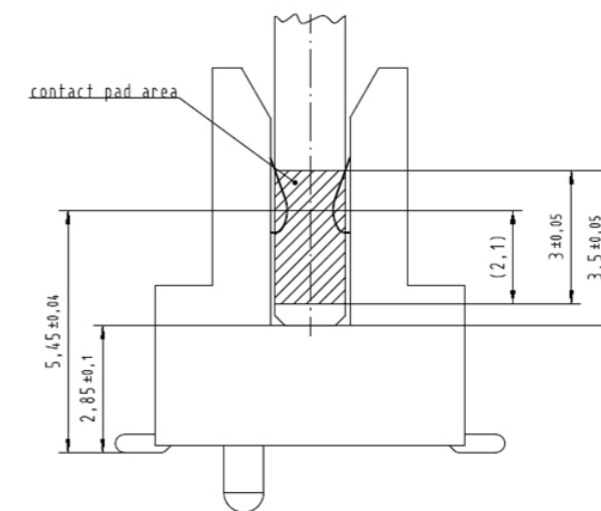


Recommended mating card layout



poles no. (=n)	E	G	J	M	P
80	34,4	16,8	13,6	36,45	18,625
100	42,4	20,8	17,6	44,45	22,625
120	50,4	24,8	21,6	52,45	26,625
140	58,4	28,8	25,6	60,45	30,625

Mating conditions



	All rights reserved	Created by ZENGDO	Inspected by LUOK	Standardisation 302077	Date 2020-11-26	State Final Release	
	Department EL PD	Title har-flex HD-Card Edge 80 to 140-pole with THR				Doc-Key / ECM-Nr. 100803079/UGD/005/A 500000180186	
HARTING Electronics GmbH D-32339 Espelkamp		Type TB	Number 1504YYYYX401XXX			Rev. A	Page 2/2