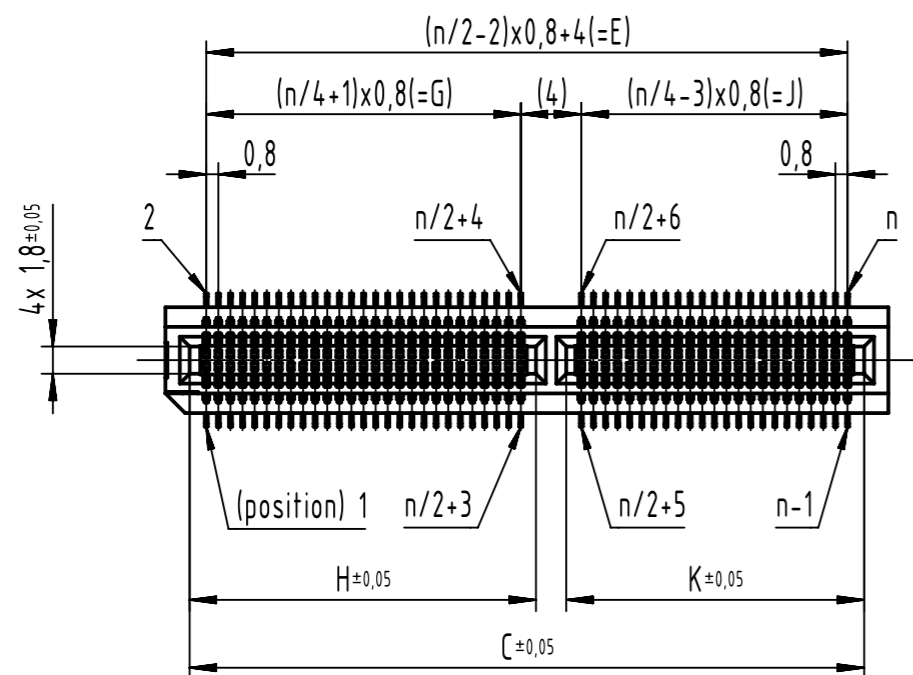
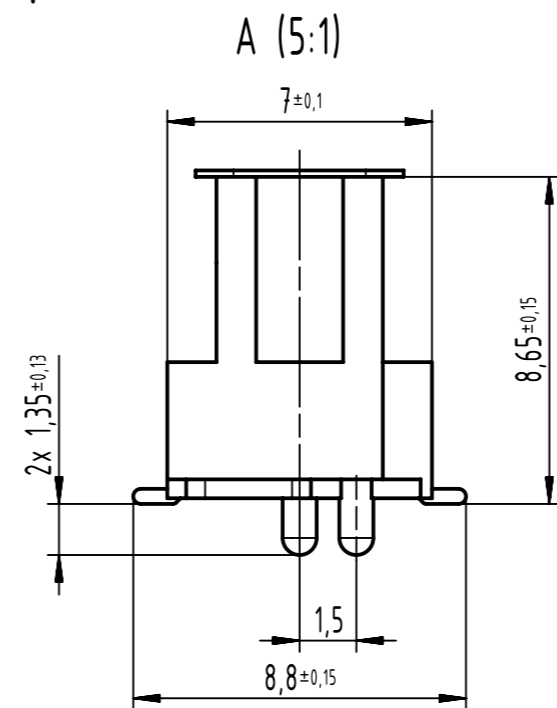


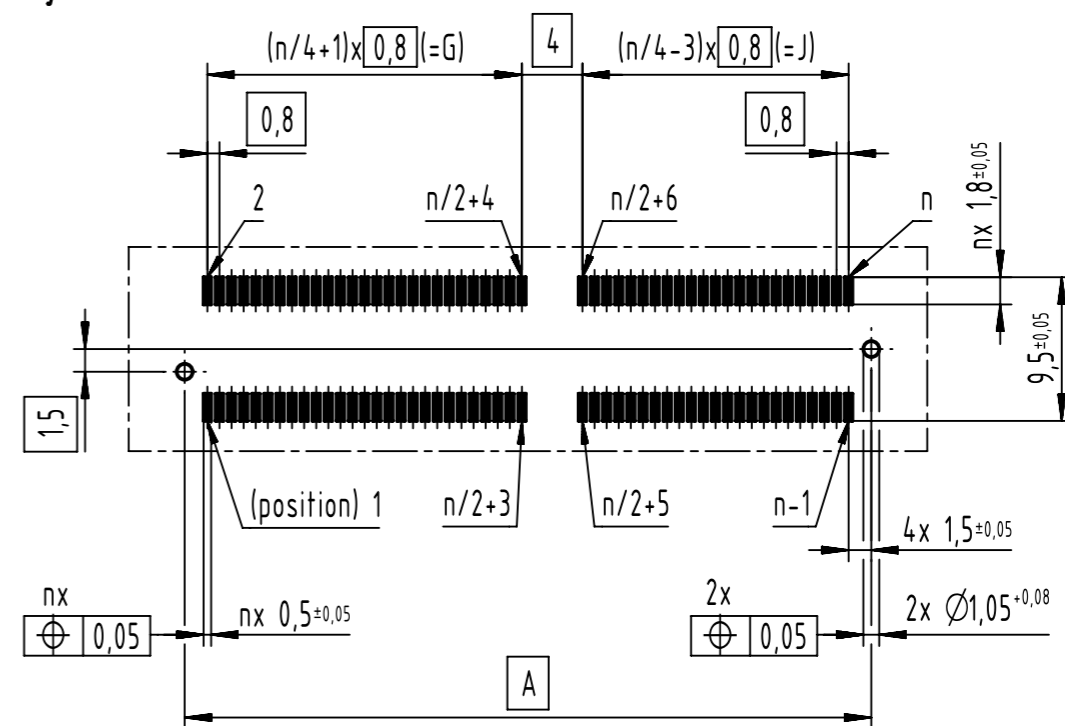
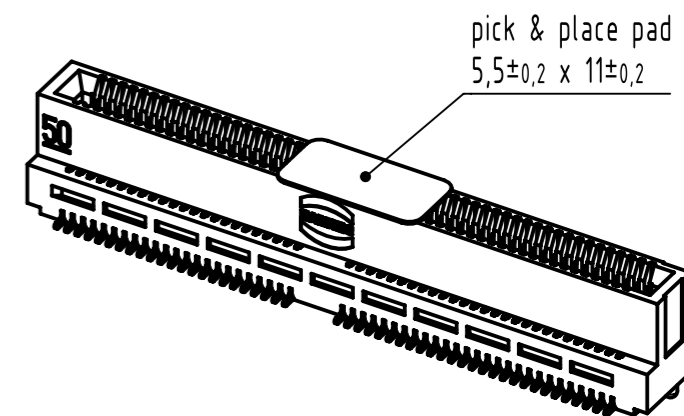
View without pick & place pad



X = Performance level, XXX = Packaging information
 2 = PL1 000 = tape & reel with 200pcs per reel
 5 = PLS4 333 = sample



Board layout



Part Number	poles no. (=n)	A	B	C	E	G	H	J	K	Description
15 04 080 X001 XXX	80	37,4	39,8	36,6	34,4	16,8	18,9	13,6	15,7	har-flex HD-Card Edge 80-pole without hold down
15 04 100 X001 XXX	100	45,4	47,8	44,6	42,4	20,8	22,9	17,6	19,7	har-flex HD-Card Edge 100-pole without hold down
15 04 120 X001 XXX	120	53,4	55,8	52,6	50,4	24,8	26,9	21,6	23,7	har-flex HD-Card Edge 120-pole without hold down
15 04 140 X001 XXX	140	61,4	63,8	60,6	58,4	28,8	30,9	25,6	27,7	har-flex HD-Card Edge 140-pole without hold down

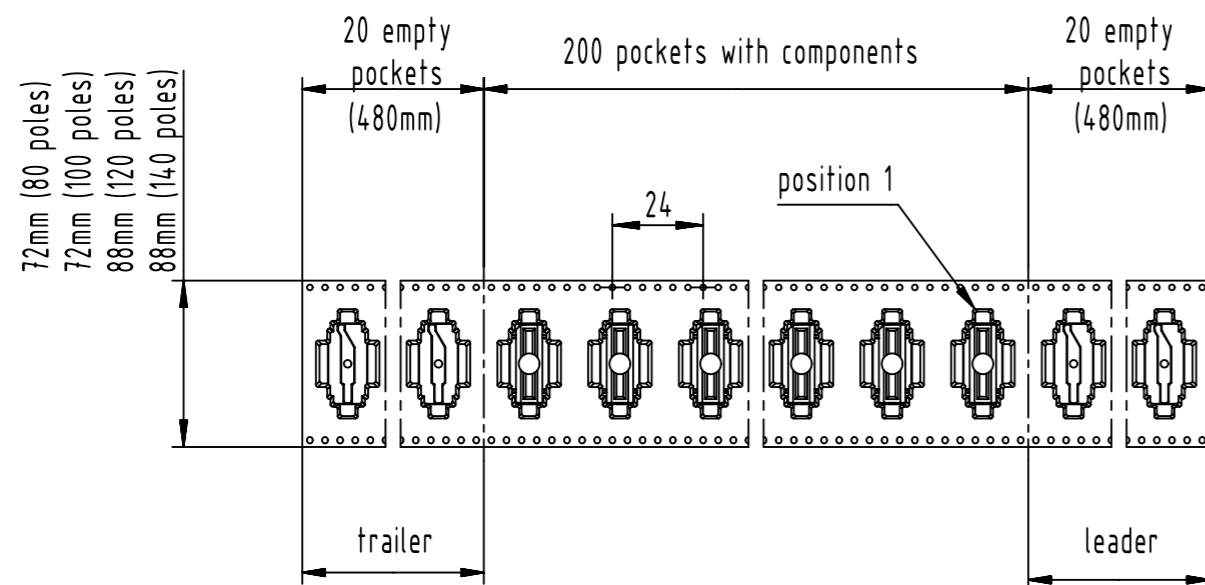
	All Dimensions in mm Original Size DIN A3		Scale 2:1	Free size tol.		Ref. Sub.		
	All rights reserved Department EL PD		Created by ZENGO	Inspected by LUOK	Standardisation 302077	Date 2020-11-26	State Final Release	
HARTING Electronics GmbH D-32339 Espelkamp			Title har-flex HD-Card Edge 80 to 140-pole without hold down				Doc-Key / ECM-Nr. 100803079/UGD/004/A 500000180186	
			Type TB	Number 1504YYYYX001XXX			Rev. A	Page 1/2



har-flex HD-Card Edge connector, straight, 80 to 140-pole



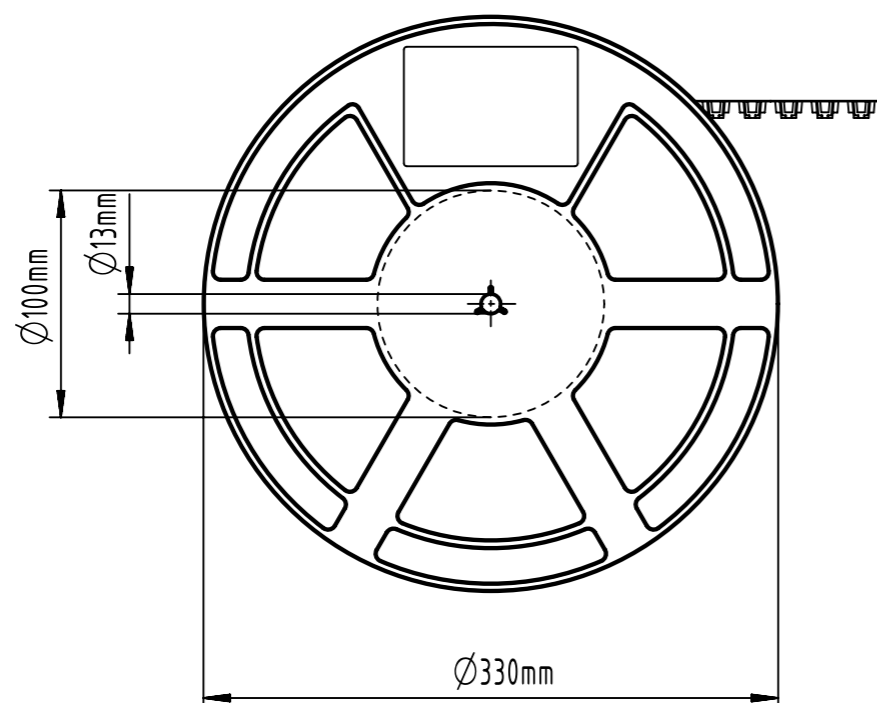
Tape layout & packaging



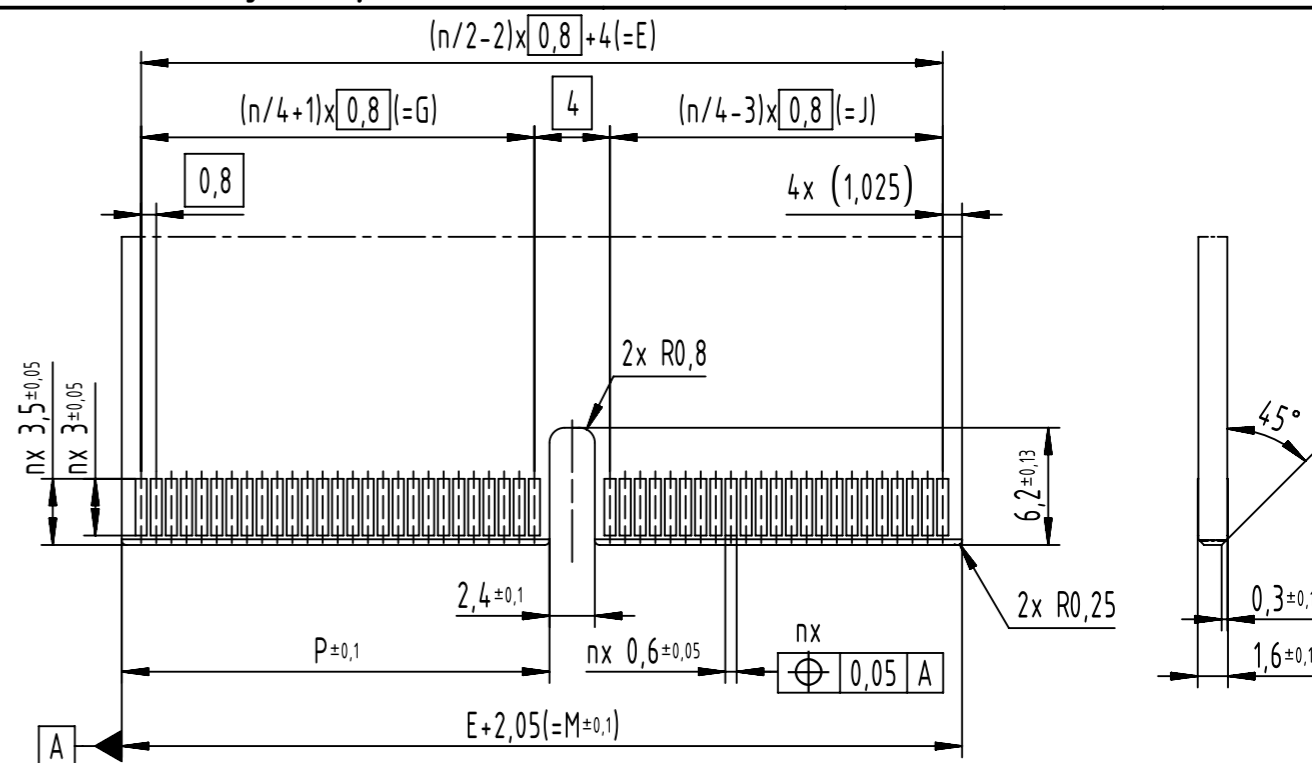
Packaging indices ("XXX" in part no.):

Index	Packaging unit	Packaging
000	200	Tape & Reel, one reel in one box
333	1	Tape

Reel dimension

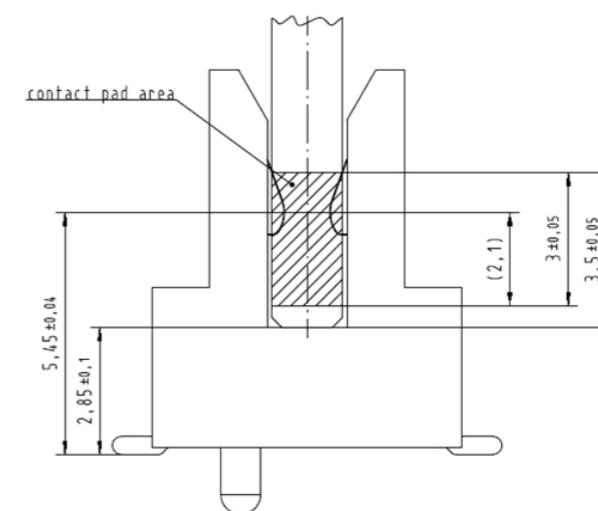


Recommended mating card layout



poles no. (=n)	E	G	J	M	P
80	34,4	16,8	13,6	36,45	18,625
100	42,4	20,8	17,6	44,45	22,625
120	50,4	24,8	21,6	52,45	26,625
140	58,4	28,8	25,6	60,45	30,625

Mating conditions



	All rights reserved	Created by ZENGO	Inspected by LUOK	Standardisation 302077	Date 2020-11-26	State Final Release	
	Department EL PD	Title har-flex HD-Card Edge 80 to 140-pole without hold down				Doc-Key / ECM-Nr. 100803079/UGD/004/A 500000180186	
HARTING Electronics GmbH D-32339 Espelkamp		Type TB	Number 1504YYYYX001XXX			Rev. A	Page 2/2