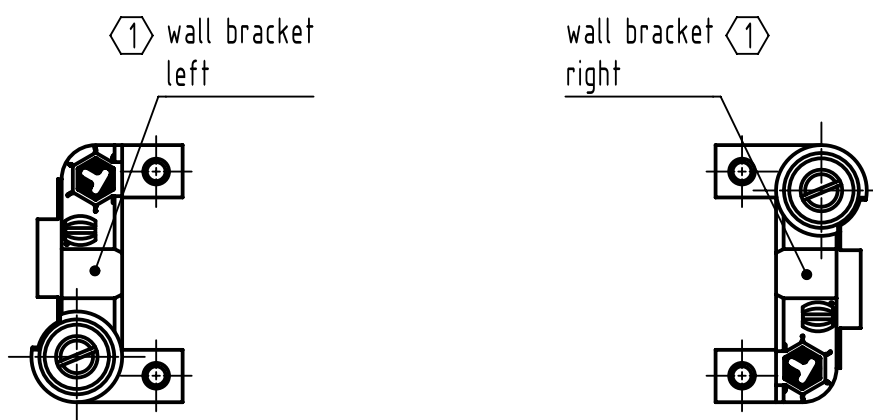
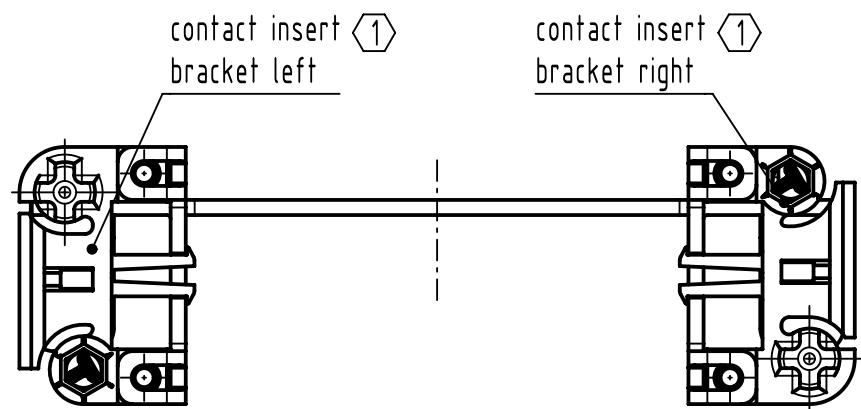
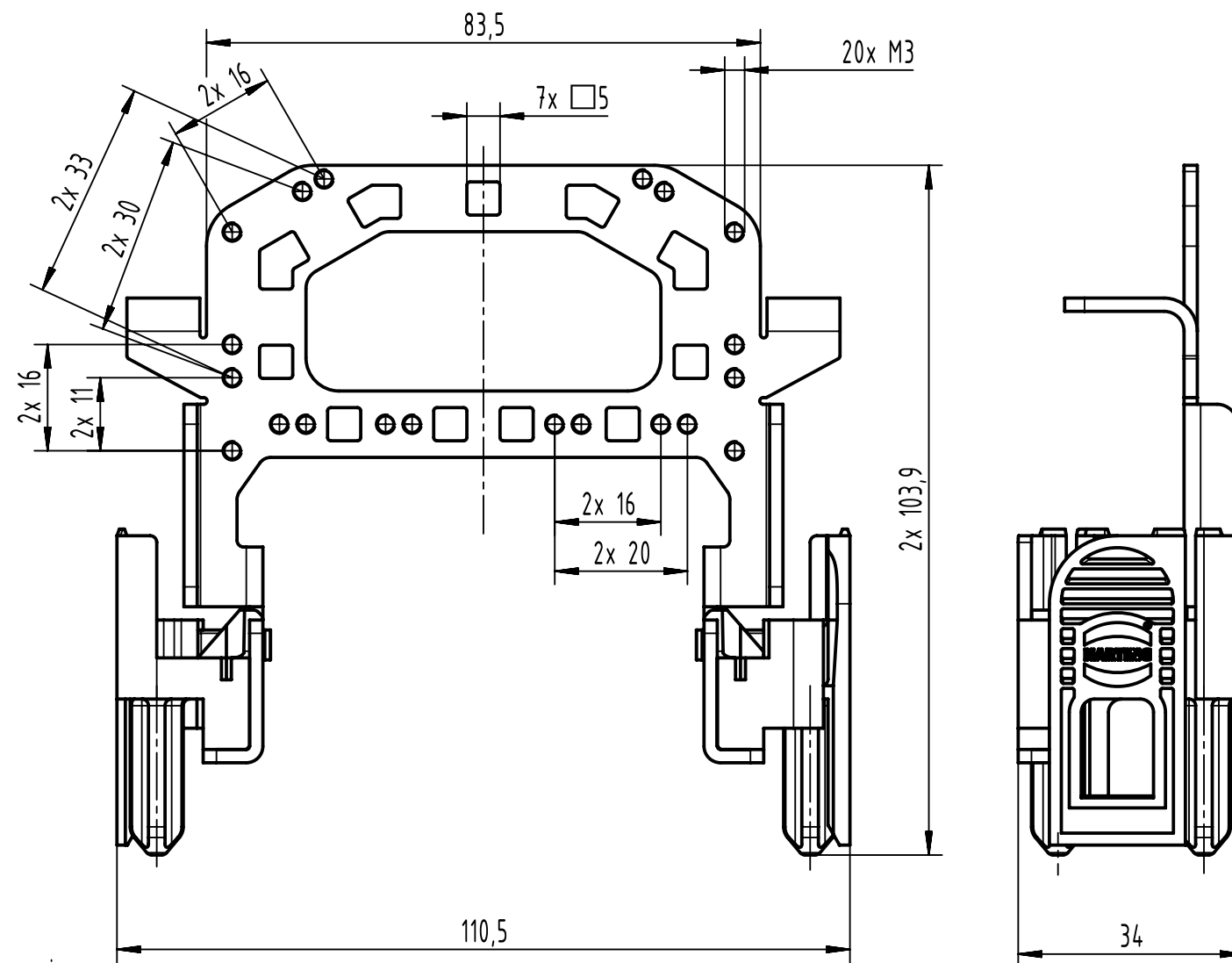


coding possibility No. 1

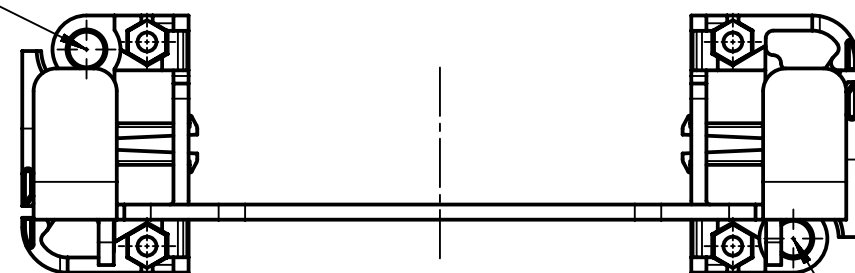


① are not included in the scope of delivery

Suitable wall brackets:
09 00 000 5614
09 00 000 5616

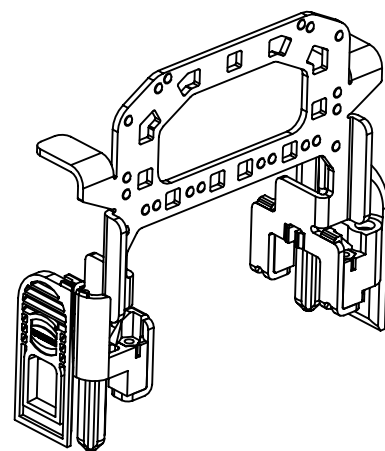
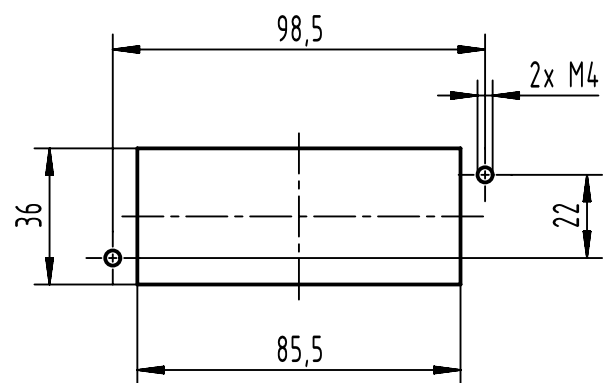


Position for coding pin
09 12 000 9901

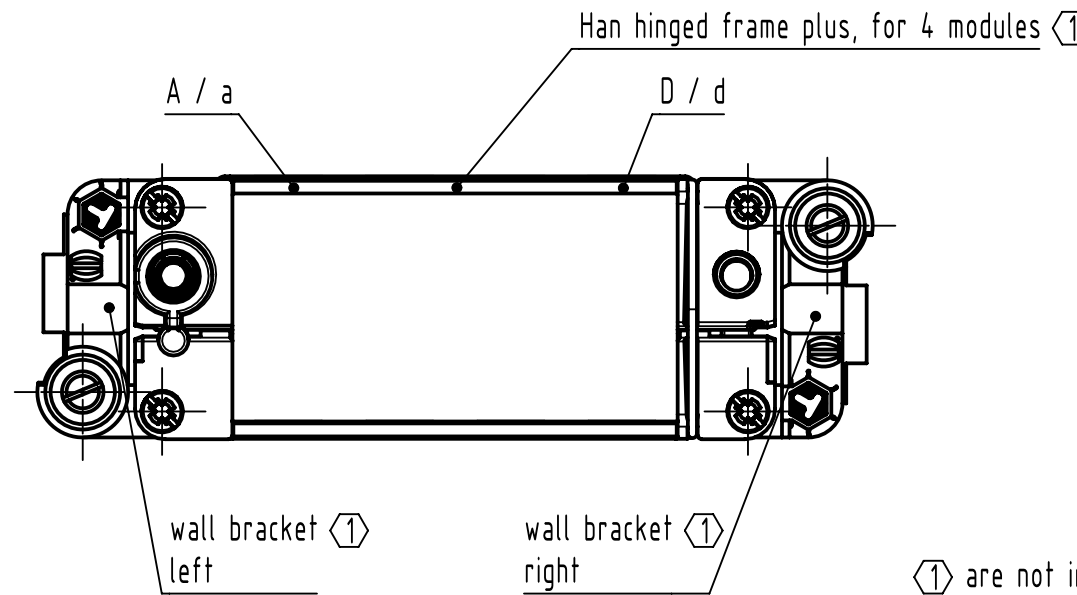
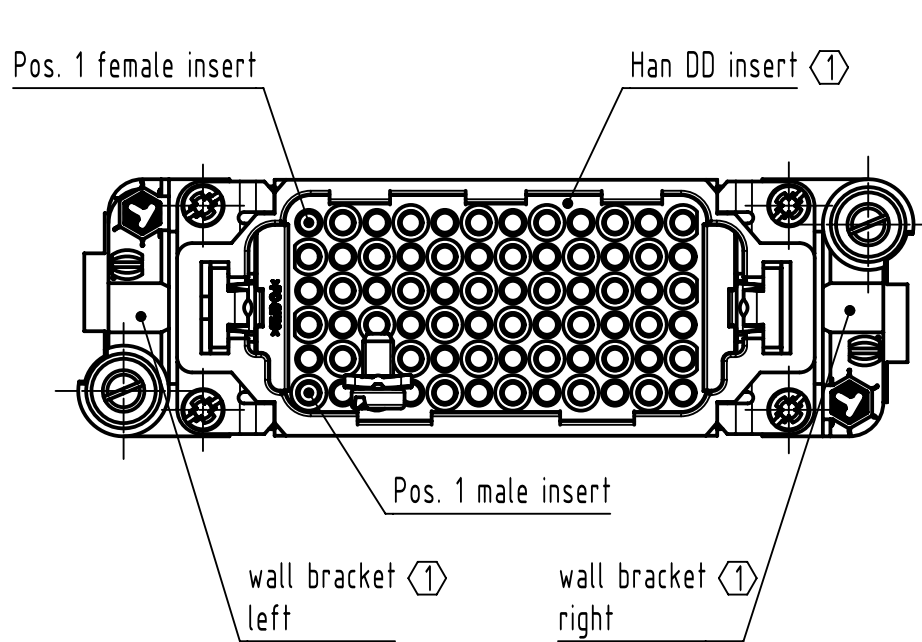
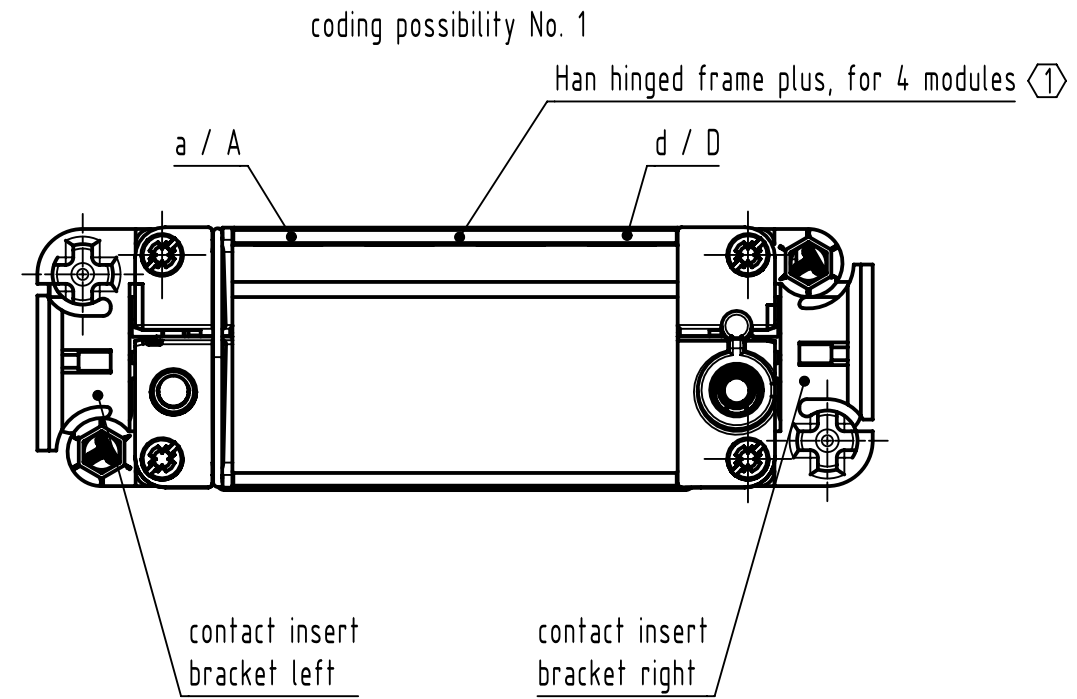
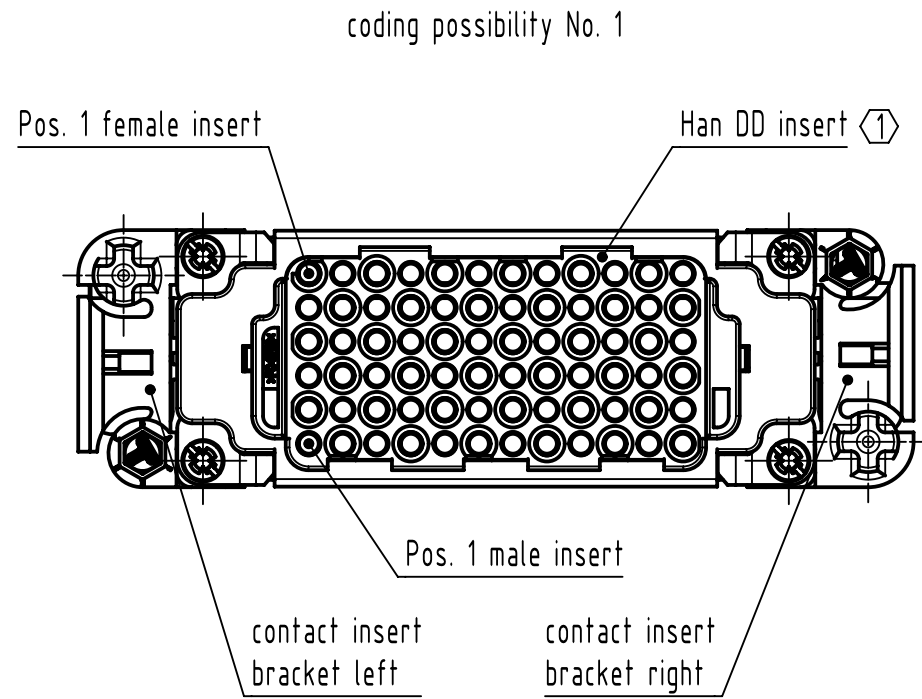


Position for coding pin
09 12 000 9901

panel cut out (1:2)



	All rights reserved	Created by 00103855	Inspected by RIEPE	Standardisation SAP_WFRT	Date 2022-06-02	State Final Release	Ref. Sub.
	Department EL PD	Title Contact insert bracket 16B				Doc-Key / ECM-Nr. 100809858/UGD/002/K 500000218674	
HARTING D-32339 Espelkamp	Type TB	Number 09 00 016 5610				Rev. K	Page 1/4



are not included in the scope of delivery

Suitable wall brackets:
09 00 000 5614
09 00 000 5616

	All rights reserved Department EL PD	All Dimensions in mm Original Size DIN A3		Scale 1:1	Free size tol.	Ref. Sub.
		Created by 00103855	Inspected by RIEPE	Standardisation SAP_WFRT	Date 2022-06-02	State Final Release
HARTING D-32339 Espelkamp		Title Contact insert bracket 16B			Doc-Key / ECM-Nr. 100809858/UGD/002/K 50000218674	
		Type TB	Number 09 00 016 5610		Rev. K	Page 2/4

A

B

C

D

No. 1	left	right	No. 7	left	right	No. 13	left	right
contact insert bracket			contact insert bracket			contact insert bracket		
wall bracket			wall bracket			wall bracket		
No. 2	left	right	No. 8	left	right	No. 14	left	right
contact insert bracket			contact insert bracket			contact insert bracket		
wall bracket			wall bracket			wall bracket		
No. 3	left	right	No. 9	left	right	No. 15	left	right
contact insert bracket			contact insert bracket			contact insert bracket		
wall bracket			wall bracket			wall bracket		
No. 4	left	right	No. 10	left	right	No. 16	left	right
contact insert bracket			contact insert bracket			contact insert bracket		
wall bracket			wall bracket			wall bracket		
No. 5	left	right	No. 11	left	right	No. 17	left	right
contact insert bracket			contact insert bracket			contact insert bracket		
wall bracket			wall bracket			wall bracket		
No. 6	left	right	No. 12	left	right	No. 18	left	right
contact insert bracket			contact insert bracket			contact insert bracket		
wall bracket			wall bracket			wall bracket		

In total 36 coding possibilities
 coding possibilities
 6 options on each side:

	All Dimensions in mm Original Size DIN A4		Scale 1:1	Free size tol.		Ref.	
						Sub.	
	All rights reserved		Created by 00103855	Inspected by RIEPE	Standardisation SAP_WFRT	Date 2022-06-02	State Final Release
	Department EL PD		Title Contact insert bracket 16B				Doc-Key / ECM-Nr. 100809858/UGD/002/K 500000218674
HARTING D-32339 Espelkamp		Type TB	Number 09 00 016 5610			Rev. K	Page 3/4

1 2 3 4 5 6

A

B

C

D

No. 19	left	right	No. 25	left	right	No. 31	left	right
contact insert bracket			contact insert bracket			contact insert bracket		
wall bracket			wall bracket			wall bracket		
No. 20	left	right	No. 26	left	right	No. 32	left	right
contact insert bracket			contact insert bracket			contact insert bracket		
wall bracket			wall bracket			wall bracket		
No. 21	left	right	No. 27	left	right	No. 33	left	right
contact insert bracket			contact insert bracket			contact insert bracket		
wall bracket			wall bracket			wall bracket		
No. 22	left	right	No. 28	left	right	No. 34	left	right
contact insert bracket			contact insert bracket			contact insert bracket		
wall bracket			wall bracket			wall bracket		
No. 23	left	right	No. 29	left	right	No. 35	left	right
contact insert bracket			contact insert bracket			contact insert bracket		
wall bracket			wall bracket			wall bracket		
No. 24	left	right	No. 30	left	right	No. 36	left	right
contact insert bracket			contact insert bracket			contact insert bracket		
wall bracket			wall bracket			wall bracket		

	All Dimensions in mm Original Size DIN A4		Scale 1:1	Free size tol.		Ref.
						Sub.
	All rights reserved		Created by 00103855	Inspected by RIEPE	Standardisation SAP_WFRT	Date 2022-06-02
	Department EL PD		Title Contact insert bracket 16B			State Final Release
HARTING D-32339 Espelkamp			Type TB	Number 09 00 016 5610		Doc-Key / ECM-Nr. 100809858/UGD/002/K 500000218674
					Rev. K	Page 4/4