

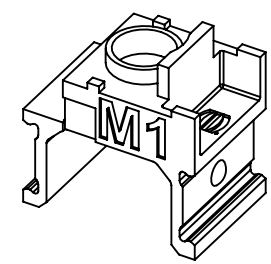
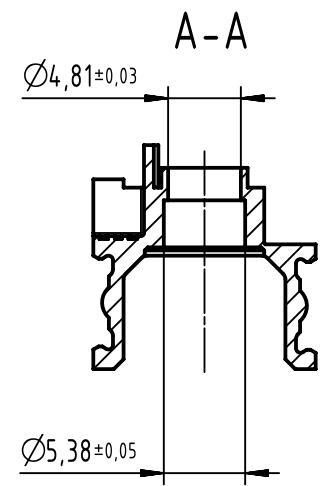
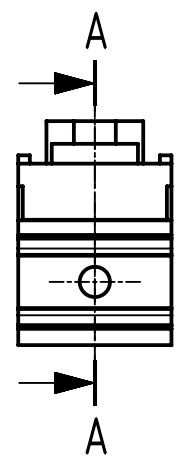
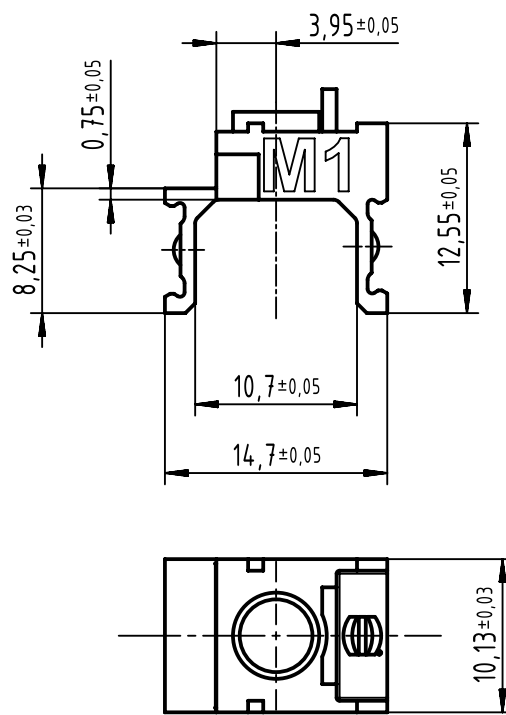
1 2 3 4 5 6

A

B

C

D



board drilling: hole diameter is to be co-ordinated with the respective contact

	All Dimensions in mm Original Size DIN A4		Scale 2:1	Free size tol.		Ref.		
						Sub.		
	All rights reserved		Created by HASELOH	Inspected by WOLF	Standardisation KÖHLER	Date 2020-09-25	State Final Release	
	Department EL PD		Title har-modular M1-module male angled				Doc-Key / ECM-Nr. 100833317/UGD/001/D 500000180142	
HARTING Electronics GmbH D-32339 Espelkamp			Type TB	Number 02519010401			Rev. D	Page 1/1