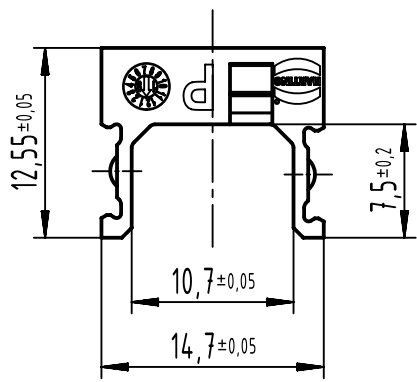
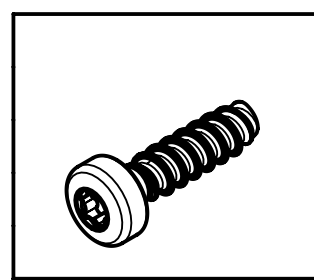
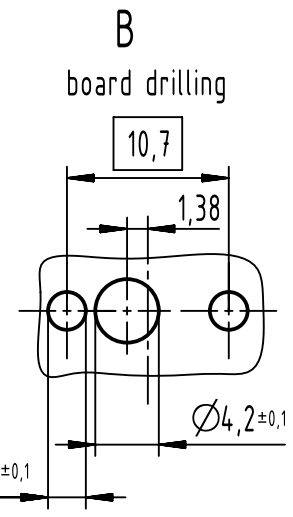
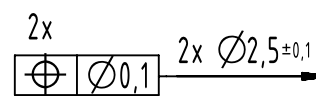
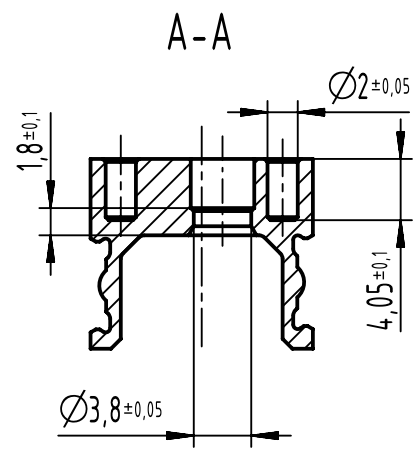
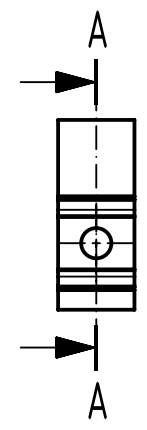
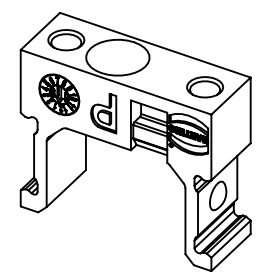
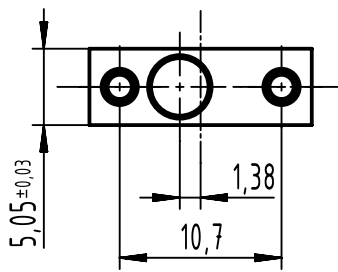


1 2 3 4 5 6

A B C D



B



09 06 001 9979	self-tapping screw for plastic 2,2x8-T6	4,4 - 5,3
09 06 001 9980	self-tapping screw for plastic 2,2x7-T6	3,5 - 4,3
09 06 001 9981	self-tapping screw for plastic 2,2x6-T6	2,5 - 3,4
09 06 001 9982	self-tapping screw for plastic 2,2x5-T6	1,5 - 2,4
screw - part no.	description	PCB-thickness

recommended self-tapping screw for different PCB-thickness
(please order separately)

	All Dimensions in mm Original Size DIN A4	Scale	Free size tol.	Ref.			
		2:1		Sub.			
	All rights reserved Department EL PD	Created by	Inspected by	Standardisation	Date	State	
		STORCK	LEHNERT	SAP_WFRT	2022-09-20	Final Release	
HARTING D-32339 Espelkamp		Title har-modular P-module male straight				Doc-Key / ECM-Nr. 100809975/UGD/001/D 500000205826	
		Type	Number	Rev.	Page		
		TB	02539000002	D	1/1		