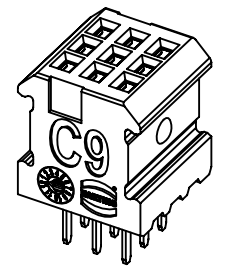
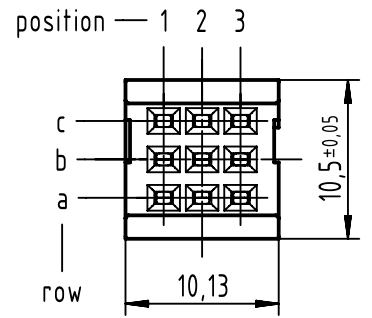
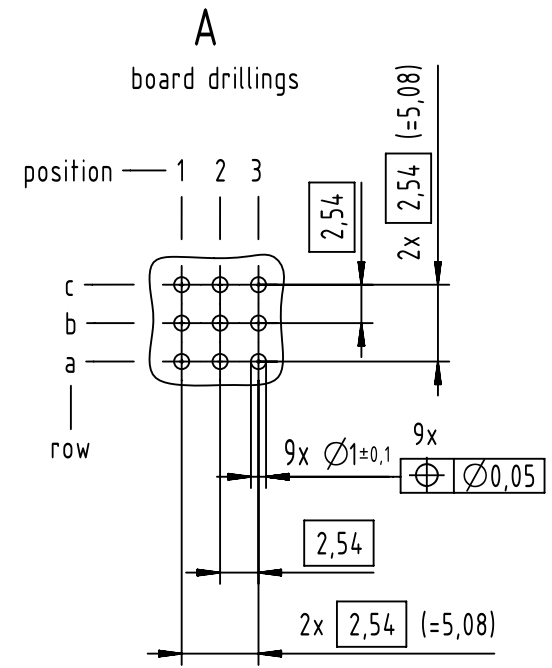
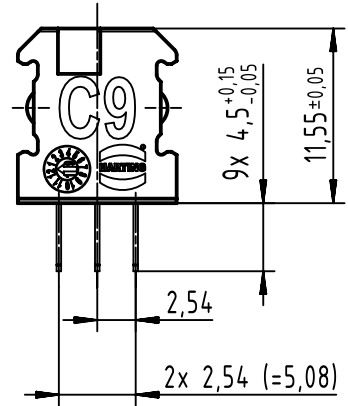
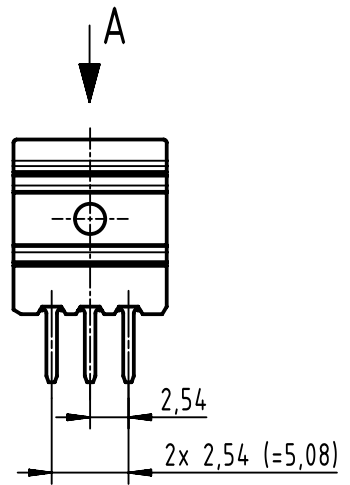


A

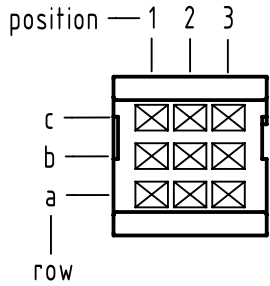
B

C

D



A
contact loading



9 solder contacts
 ☒ = solder contact
 □ = without contact

02 52 909 1101	1
part no.	performance level

	All Dimensions in mm Original Size DIN A4		Scale 2:1	Free size tol.		Ref.	
	All rights reserved		Created by STORCK	Inspected by LEHNERT	Standardisation	Sub.	
Department EL PD		Date 2023-09-18		State Final Release			
HARTING		Title har-modular C9-module female solder 9-pole				Doc-Key / ECM-Nr. 100810515/UGD/007/C 500000253495	
D-32339 Espelkamp		Type TB	Number 0252909X101		Rev. C	Page 1/1	