

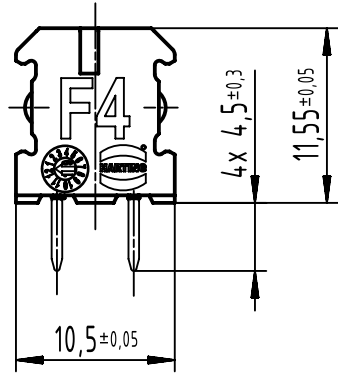
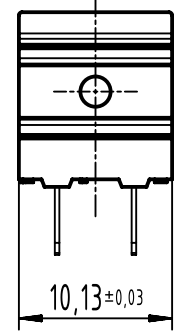
A

B

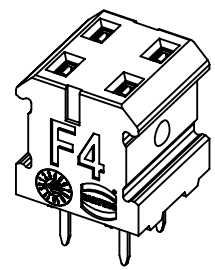
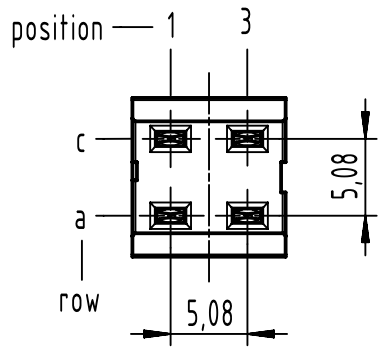
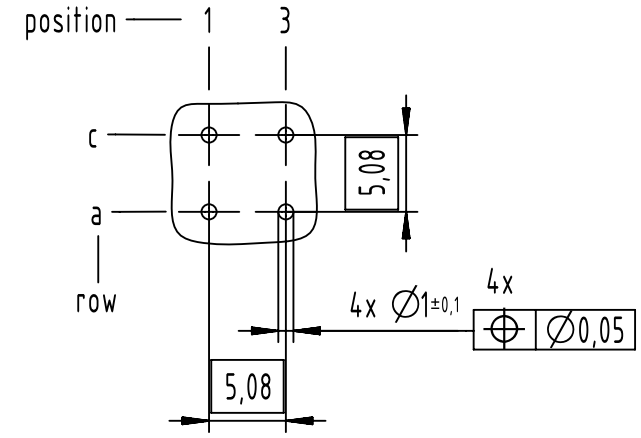
C

D

A

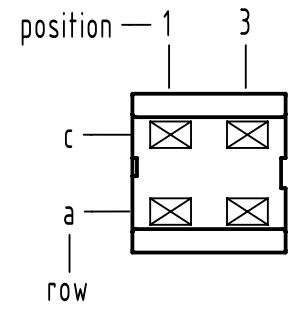


A
board drillings



A

contact loading



4 solder contacts
 X = solder contact
 □ = without contact

02 52 904 1201	1
part no.	performance level

	All Dimensions in mm Original Size DIN A4		Scale 2:1	Free size tol.		Ref.	
	All rights reserved Department EL PD		Created by HASELOH	Inspected by STORCK	Standardisation	Sub.	
HARTING D-32339 Espelkamp			Title har-modular F4-module female solder 4-pole			Date 2023-06-12	State Final Release
			Type TB	Number 0252904X201		Doc-Key / ECM-Nr. 100809814/UGD/002/E 500000246625	Rev. E
						Page 1/1	