

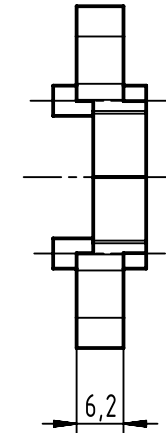
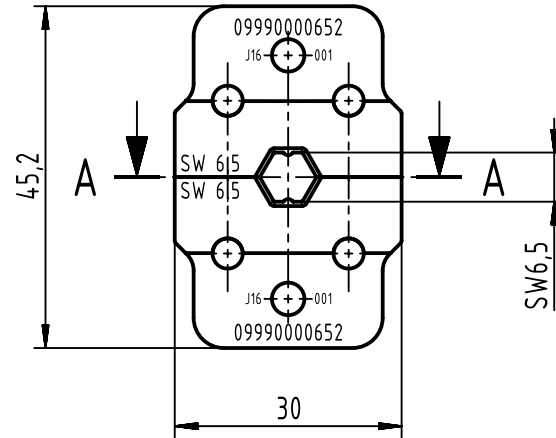
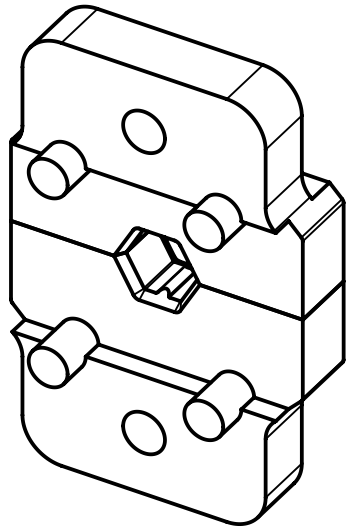
1 2 3 4 5 6

A

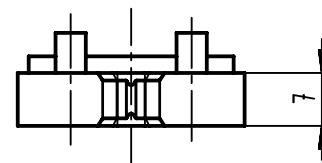
B

C

D



A-A



	All Dimensions in mm Original Size DIN A4	Scale 1:1		Free size tol.		Ref.	
						Sub.	
	All rights reserved Department EC PD - DE	Created by	Inspected by	Standardisation	Date	State	
		HASELOH	WAERMKER	HOFFMANN	2017-05-12	Final Release	
HARTING Electronics GmbH D-32339 Espelkamp		Title				Doc-Key / ECM-Nr.	
		Crimp inserts 6,5 for tool 09990000647				100723210/UGD/001/A 500000118557	
		Type	Number		Rev.	Page	
		TB	09990000652		A	1/1	