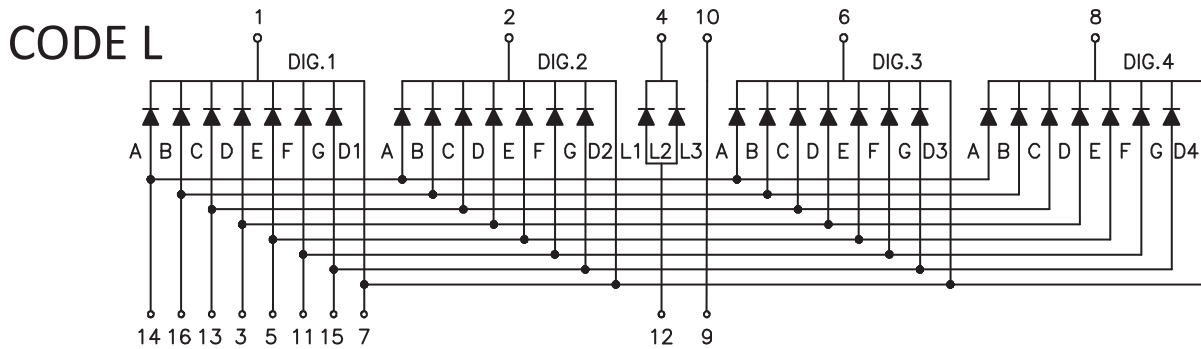
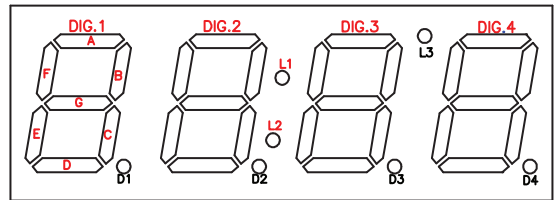
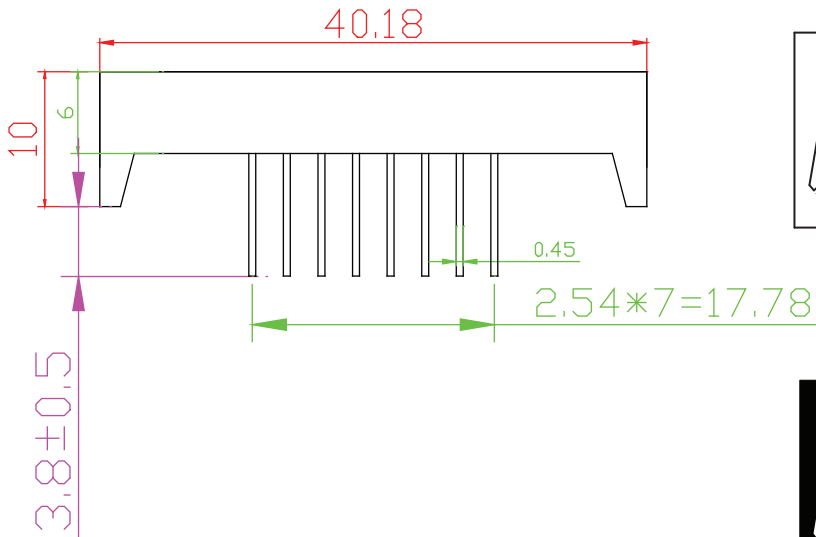
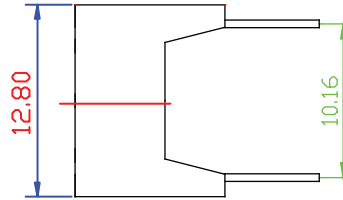
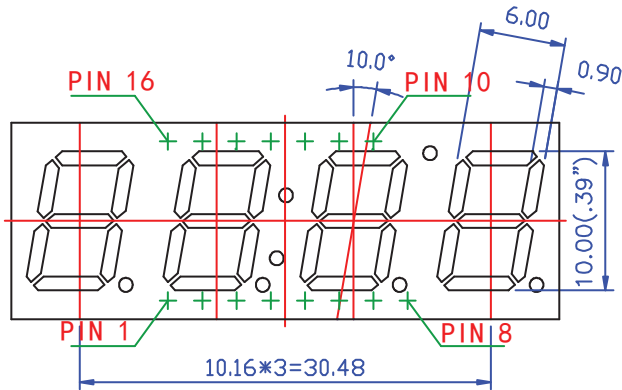


# LB40393LWH1B-CLK-H10-SMT



D1, D2, D3, D4, L3: NO LED  
9: NO PIN