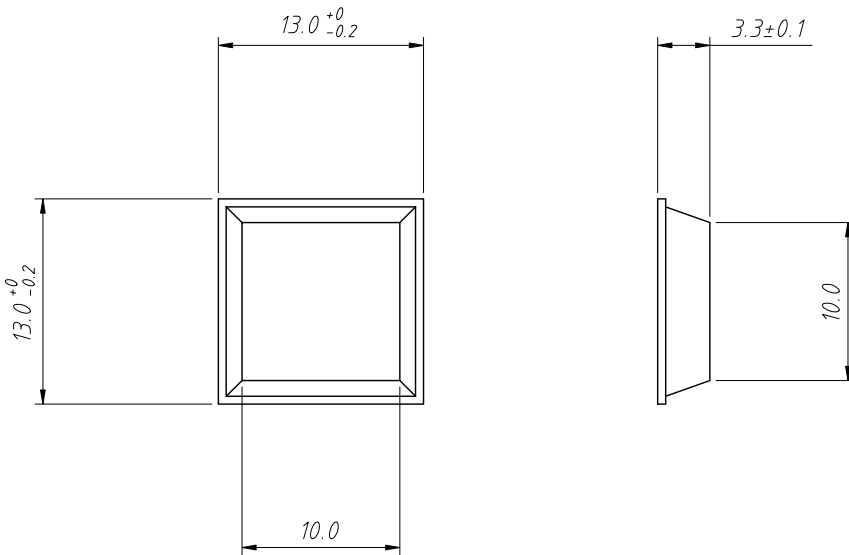


1
RoHS Compliance

6	7	8
REV	SYM	Revision Record
V0	KLS08133	New Version Release
Appr.	Jenny	Date
		2023-11-06



Material: Rubber

ANGLE TOLERANCE	PROJECTION	Description:	Rubber Foot
$\pm 3^\circ$			
GENERAL TOLERANCE	UNITS	mm	KLS P/N: L-KLS8-0519-SF-013
x.x ± 0.30	SHEET SIZE	A4	2:1
x.xx ± 0.20	Draw:	Jenny	2023-11-06
x.xxx ± 0.10	Check:	Daniel	2023-11-06



NingBo KLS ELECTRONIC CO.,LTD.