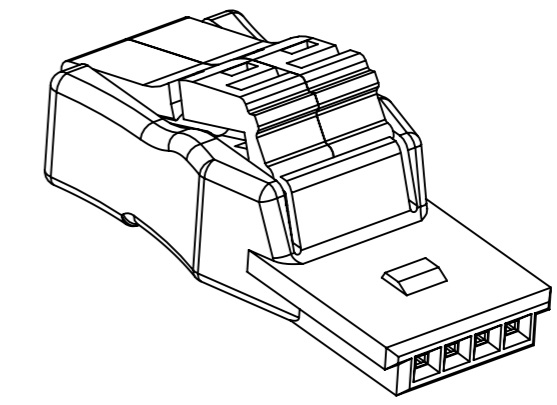
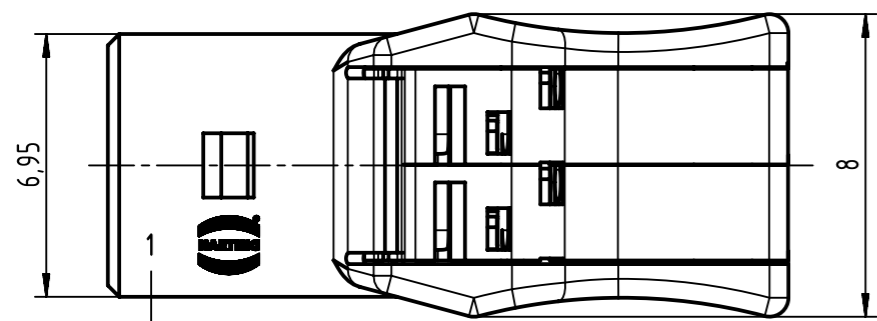
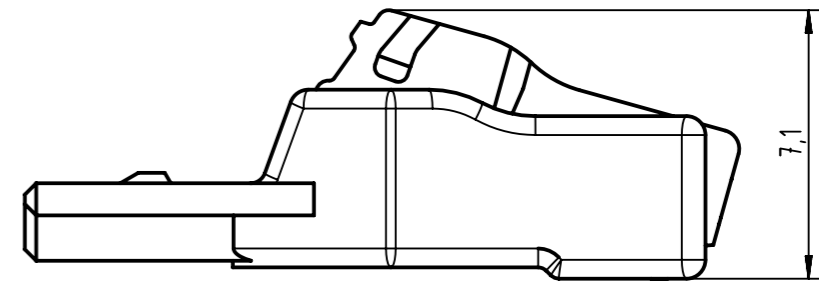
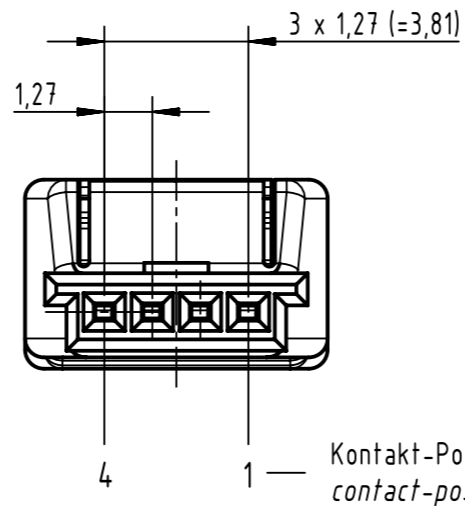
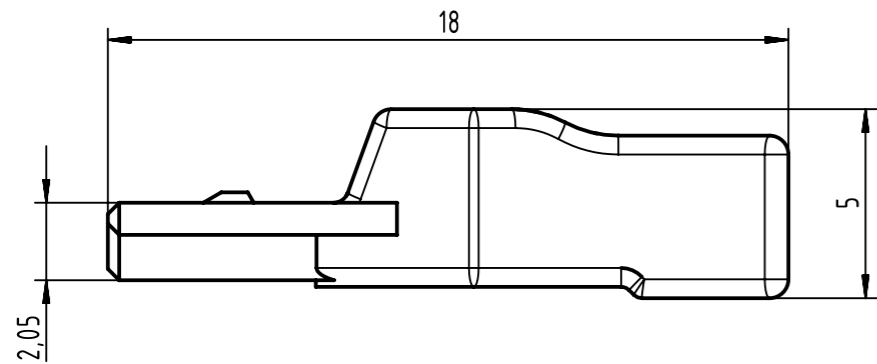
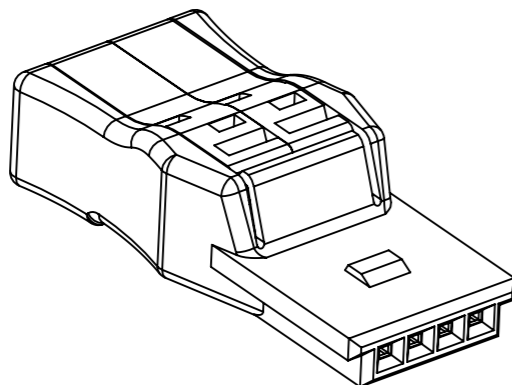
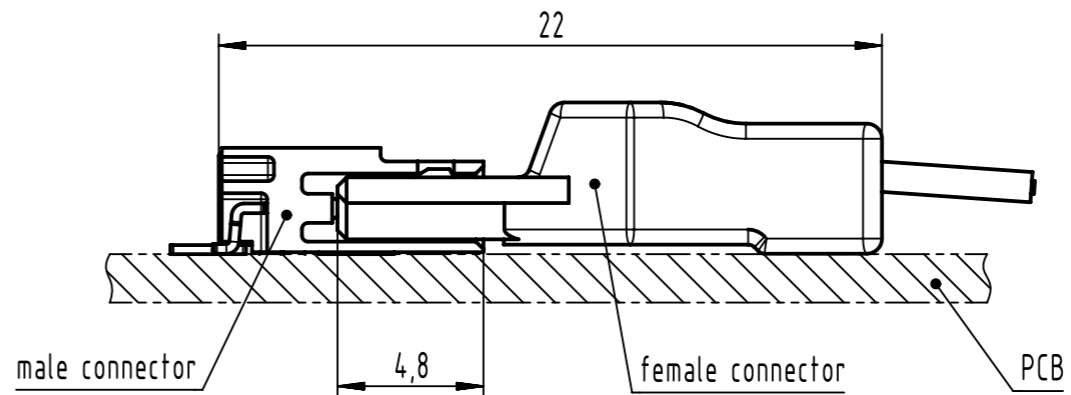


Liefer- und Montagezustand
 delivery- and assembly condition



Kontakt-Position
 contact-position

Application information



	All Dimensions in mm Original Size DIN A3	Scale 5:1	Free size tol.	Ref. Sub. Mod: ECM 50000063214 18.06.2013	
	All rights reserved Department EL PD	Created by 408257	Inspected by LUOK	Standardisation ROEBEN	Date 2023-03-22
HARTING D-32339 Espelkamp	Title har-flexicon 1,27 female connector			Doc-Key / ECM-Nr. 100233468/UGD/008/C 500000238445	
	Type TB	Number 14310410301000	Rev. C	Page 1/1	