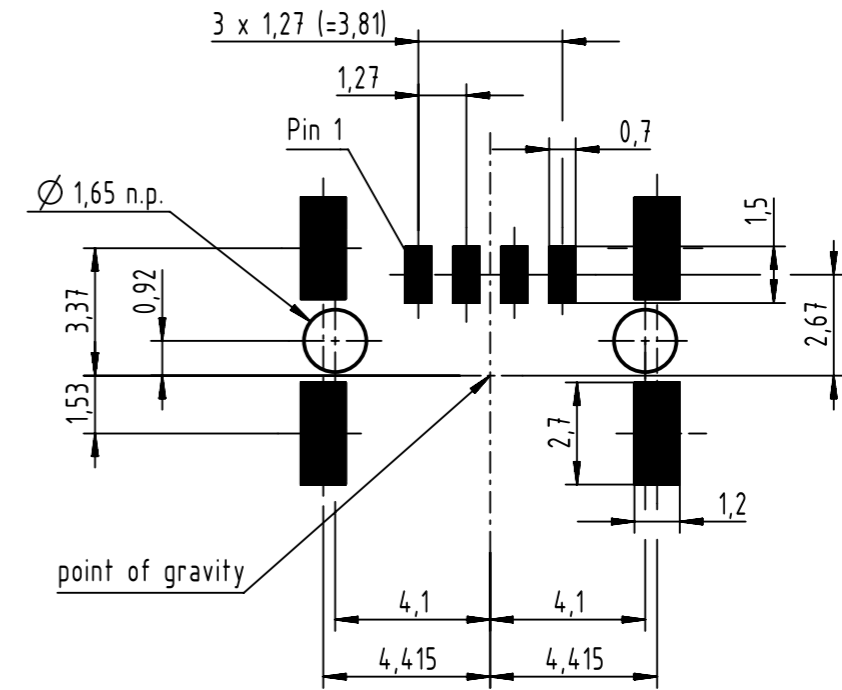
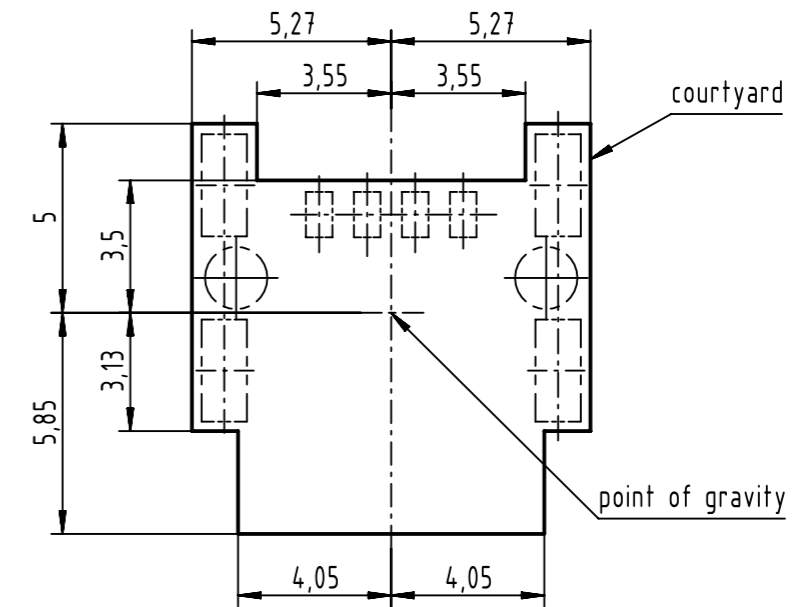


footprint



courtyard / component area



	All rights reserved Department EL PD	Created by ZHUANGJ	Inspected by LUOK	Standardisation ROEBEN	Date 2023-09-25	State Final Release	Ref. Sub. TB 14110410002XXX ECM-nr.: 50000062654 11.06.2013
	Title har-flexicon 1,27 male connector					Doc-Key / ECM-Nr. 100229555/UGD/009/D 500000254338	
HARTING D-32339 Espelkamp		Type TB	Number 14110410002XXX		Rev. D	Page 1/2	

1 2 3 4 5 6 7 8

A

B

C

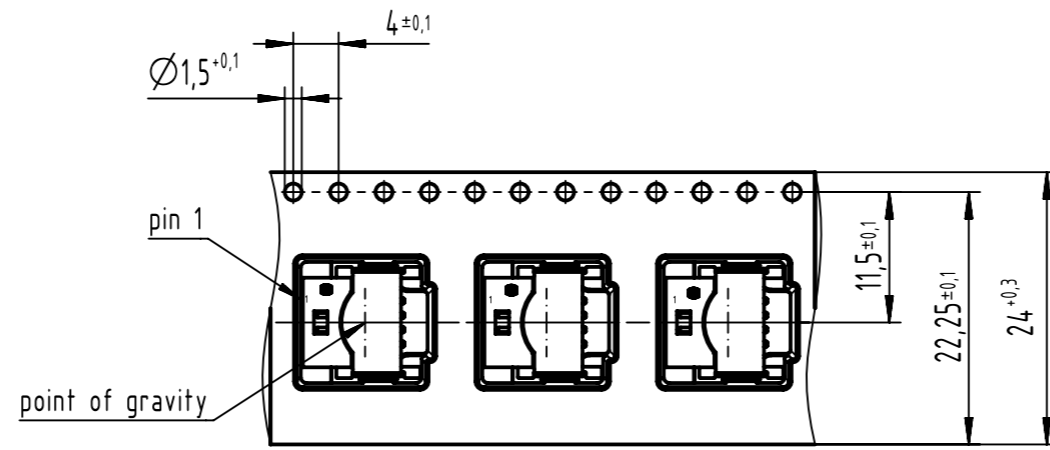
D

E

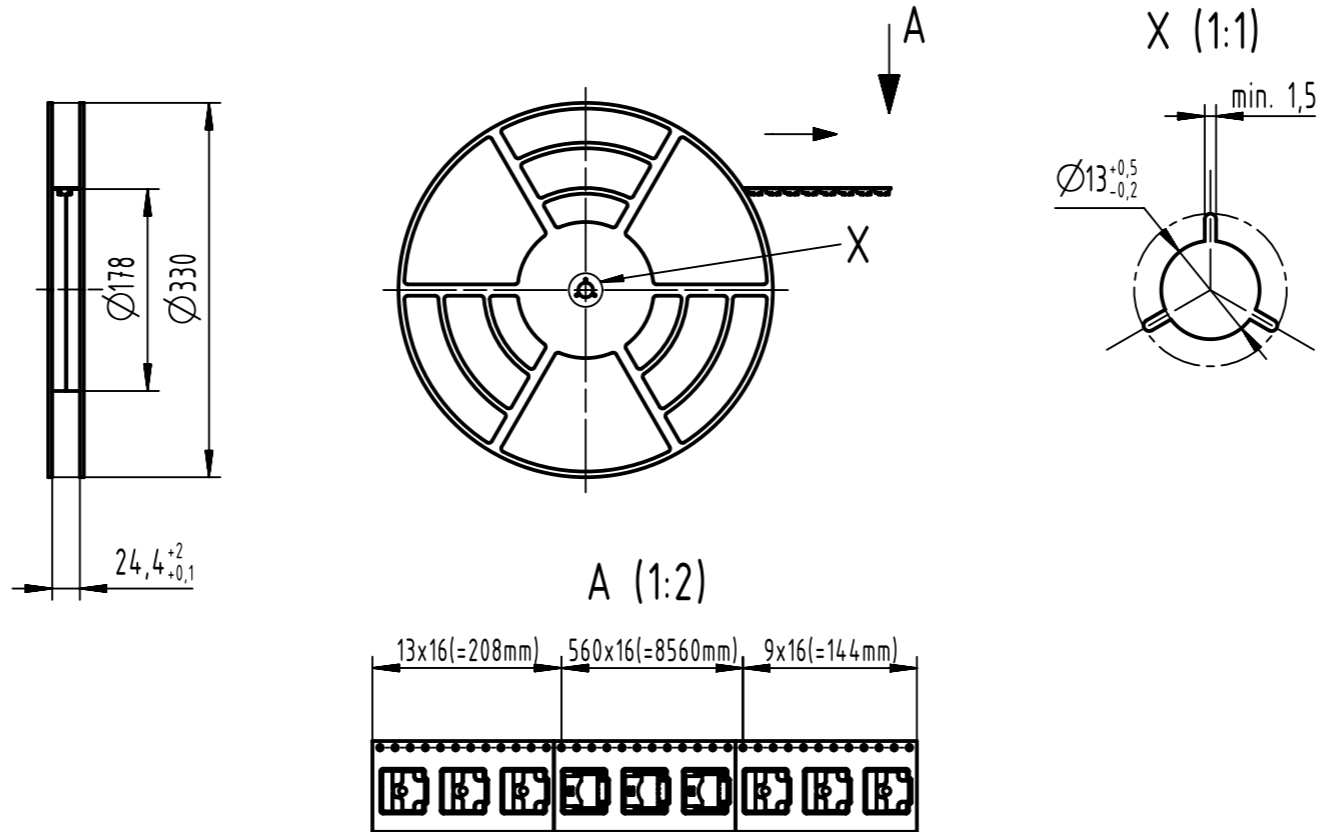
F

1 2 3 4 5 6 7 8

Packaging & tape layout



Reel dimensions



packaging	index
tape and reel with 560 pcs per reel	000
tape with 1 pcs per reel	333

part-number	14 1104 10002XXX
-------------	------------------

<p>HARTING D-32339 Espelkamp</p>	<p>All rights reserved Department EL PD</p>	<p>All Dimensions in mm Original Size DIN A3</p>	<p>Scale 1:1</p>	<p>Free size tol.</p>	<p>Ref. Sub. DS 14111200301 ECM-no.: 500000067191 14.10.2013</p>
		<p>Created by ZHUANGJ</p>	<p>Inspected by LUOK</p>	<p>Standardisation ROEBEN</p>	<p>Date 2023-09-25</p>
<p>Title har-flexicon 1,27 male connector</p>					<p>Doc-Key / ECM-Nr. 100229555/UGD/009/D 500000254338</p>
<p>Type TB</p>			<p>Number 14 1104 10002XXX</p>		<p>Rev. D Page 2/2</p>