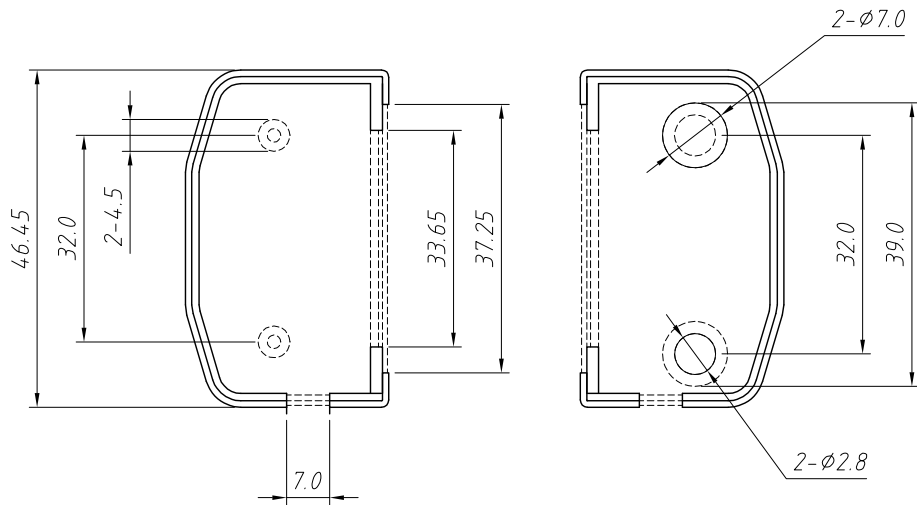
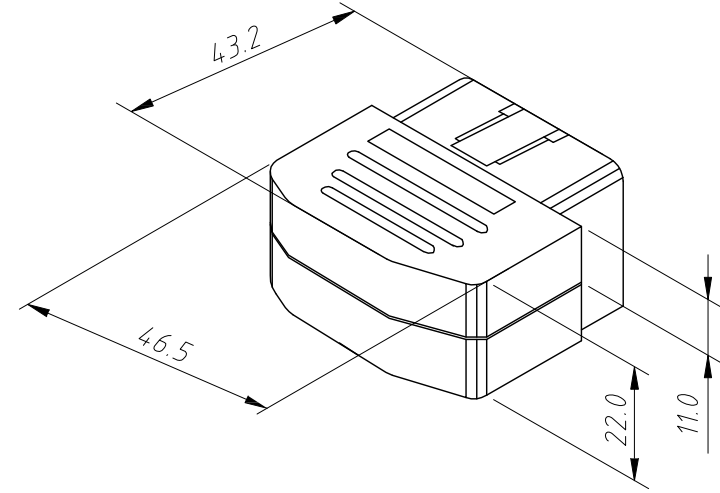
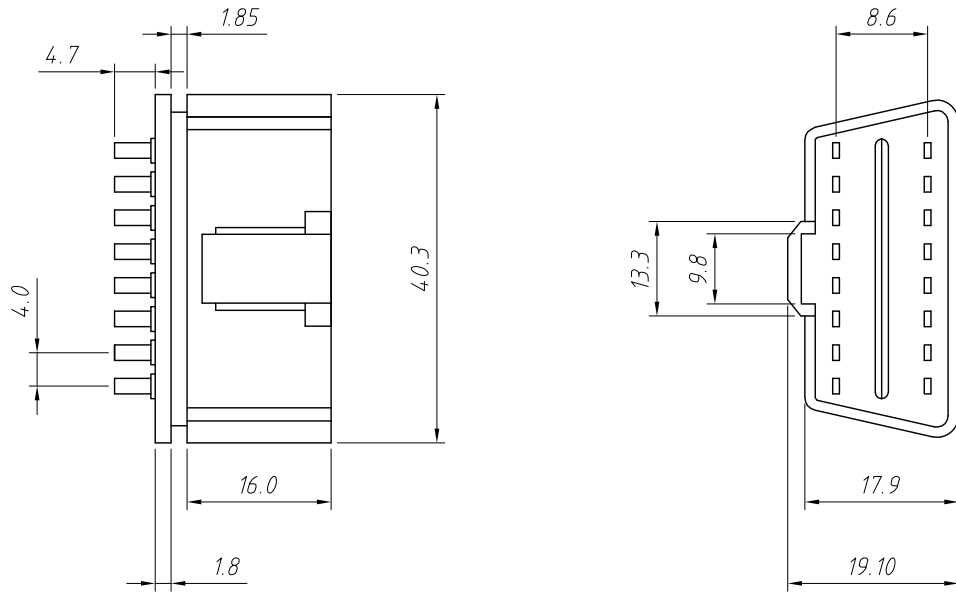


RoHS Compliance



**Electrical Characteristics:**  
 Dielectric Strength:1000V AC/1 Minute  
 Contact Resistance:100mΩ Max  
 Insulator Resistance:500VDC,100MΩ Min

**Rating and Application Wire:**  
 Rated Voltage:30V Max  
 Rated Current:5Amps,Wire Insulation OD:φ1.2~φ2.6  
 Ambient Temperature Range:-40°C ~ +85°C  
 General Tolerance:±0.30mm

ANGLE TOLERANCE	PROJECTION	Description:		
±3°		OBD II 16P Male Right Assemblies Type		
GENERAL TOLERANCE	UNITS	mm	KLS P/N:	L-KLS1-OBDI-16P-90
x.x ±0.30	SHEET SIZE	A4		NingBo KLS ELECTRONIC CO.,L TD.
x.xx ±0.20	Draw:	Daniel	2020-11-11	
x.xxx ±0.10	Check:	Daniel	2020-11-11	