

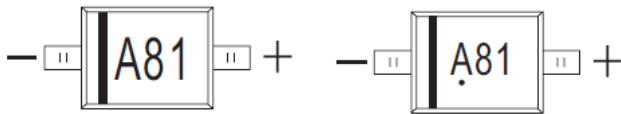
## SOD-323 Plastic-Encapsulate Diodes

### BAP50-03 GENERAL PURPOSE PIN DIODE

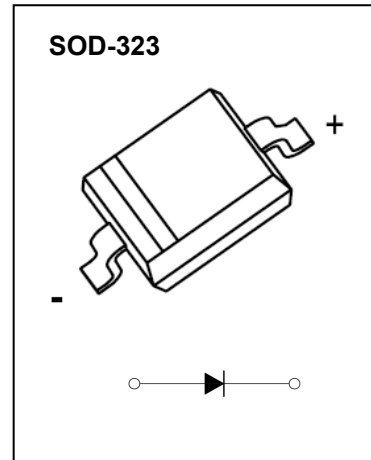
#### FEATURES

- Low diode capacitance
- Low diode forward resistance

#### MARKING: A81



The marking bar indicates the cathode  
Solid dot = Green molding compound device, if none,  
the normal device.



#### Maximum Ratings and Electrical Characteristics, Single Diode @Ta=25°C

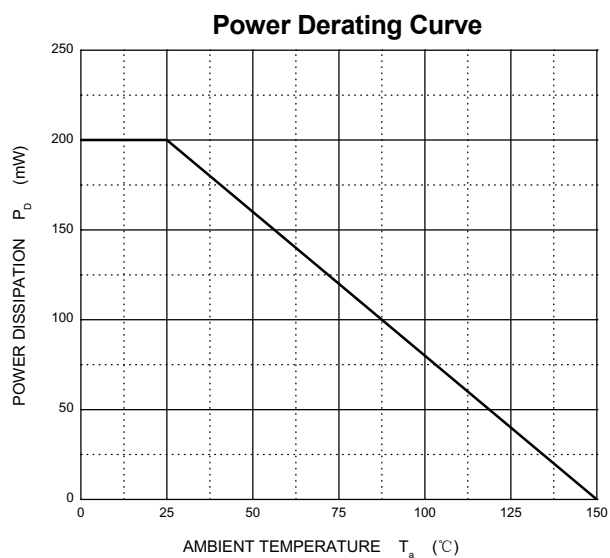
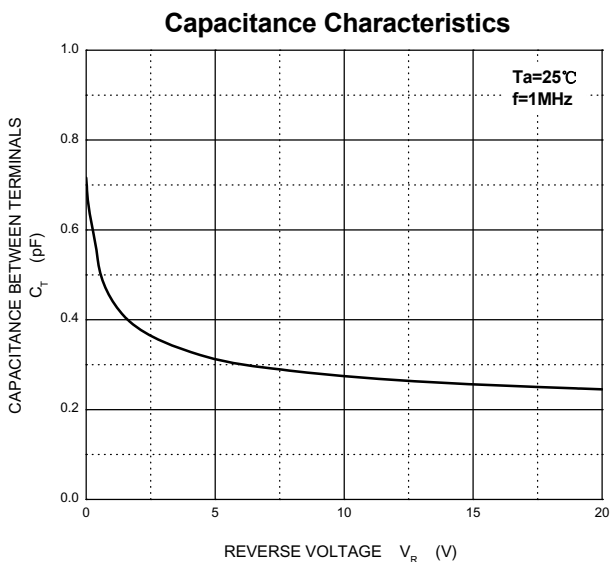
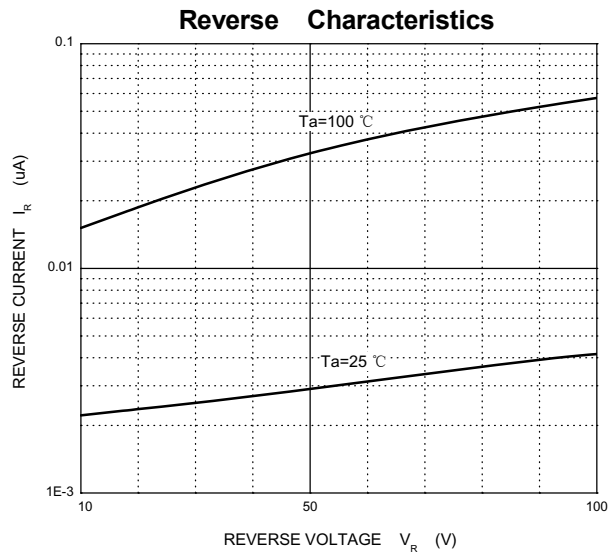
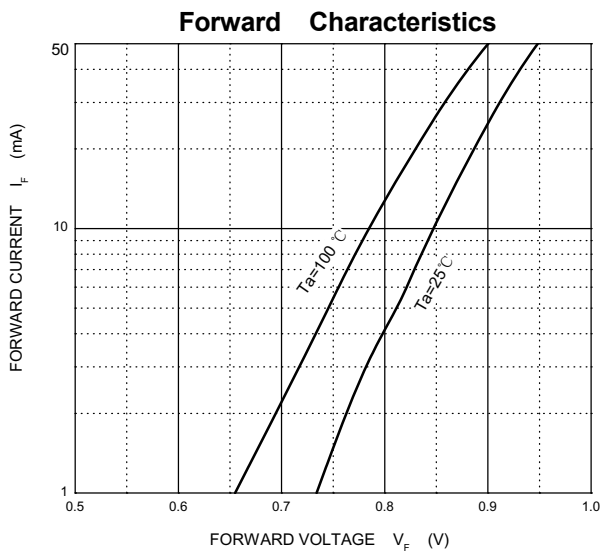
| Parameter                              | Symbol          | Limit    | Unit |
|--|-----------------|----------|------|
| Continuous Reverse Voltage             | $V_R$           | 50       | V    |
| Continuous Forward Current             | $I_F$           | 50       | mA   |
| Power Dissipation                      | $P_D$           | 200      | mW   |
| Thermal Resistance Junction to Ambient | $R_{\theta JA}$ | 85       | °C/W |
| Junction Temperature                   | $T_j$           | 150      | °C   |
| Storage Temperature                    | $T_{STG}$       | -55~+150 | °C   |

#### Electrical Ratings @Ta=25°C

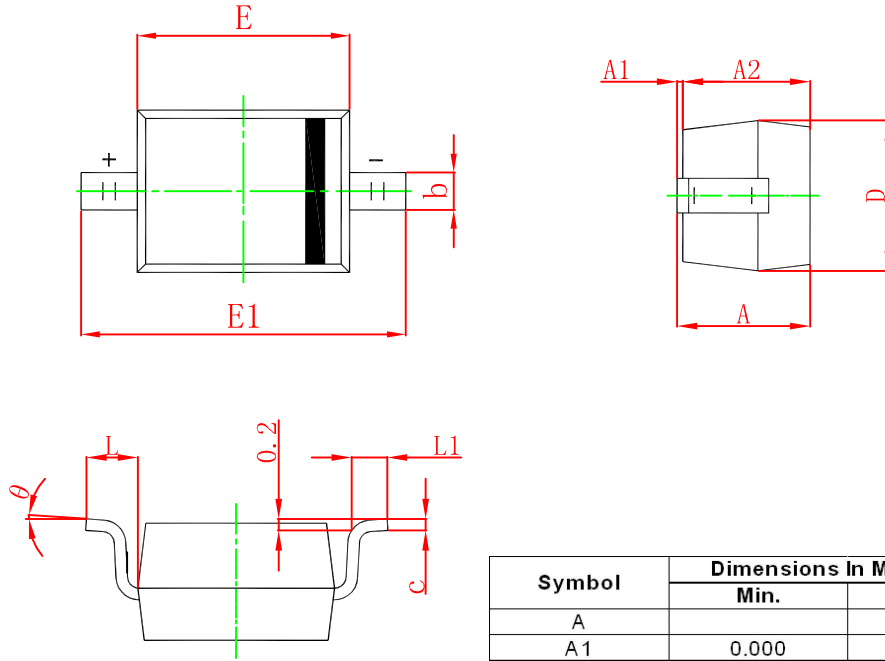
| Parameter                  | Symbol   | Min | Typ | Max  | Unit     | Conditions                   |
|----------------------------|----------|-----|-----|------|----------|------------------------------|
| Continuous reverse voltage | $V_R$    | 50  |     |      | V        | $I_R=10\mu A$                |
| Forward voltage            | $V_F$    |     |     | 1.1  | V        | $I_F=50mA$                   |
| Reverse current            | $I_R$    |     |     | 100  | nA       | $V_R=50V$                    |
| Diode capacitance          | $C_{d1}$ |     |     | 0.91 | pF       | $V_R=0V, f=1MHz$             |
|                            | $C_{d2}$ |     |     | 0.55 | pF       | $V_R=1V, f=1MHz$             |
|                            | $C_{d3}$ |     |     | 0.35 | pF       | $V_R=5V, f=1MHz$             |
| Diode forward resistance   | $r_D$    |     |     | 40   | $\Omega$ | $I_F=0.5mA, f=100MHz; note1$ |
|                            | $r_D$    |     |     | 25   | $\Omega$ | $I_F=1mA, f=100MHz; note1$   |
|                            | $r_D$    |     |     | 5    | $\Omega$ | $I_F=10mA, f=100MHz; note1$  |

Note 1. Guaranteed on AQL basis: inspection level S4, AQL 1.0.

# Typical Characteristics

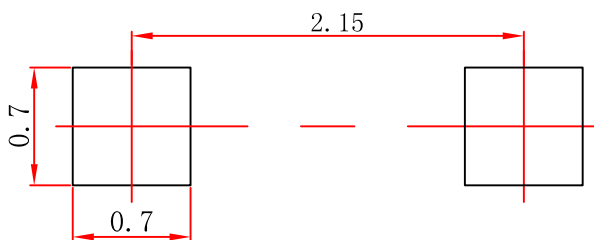


## SOD-323 Package Outline Dimensions



| Symbol | Dimensions In Millimeters |       | Dimensions In Inches |       |
|--------|---------------------------|-------|----------------------|-------|
|        | Min.                      | Max.  | Min.                 | Max.  |
| A      |                           | 1.000 |                      | 0.039 |
| A1     | 0.000                     | 0.100 | 0.000                | 0.004 |
| A2     | 0.800                     | 0.900 | 0.031                | 0.035 |
| b      | 0.250                     | 0.350 | 0.010                | 0.014 |
| c      | 0.080                     | 0.150 | 0.003                | 0.006 |
| D      | 1.200                     | 1.400 | 0.047                | 0.055 |
| E      | 1.600                     | 1.800 | 0.063                | 0.071 |
| E1     | 2.550                     | 2.750 | 0.100                | 0.108 |
| L      | 0.475 REF.                |       | 0.019 REF.           |       |
| L1     | 0.250                     | 0.400 | 0.010                | 0.016 |
| θ      | 0°                        | 8°    | 0°                   | 8°    |

## SOD-323 Suggested Pad Layout



### Note:

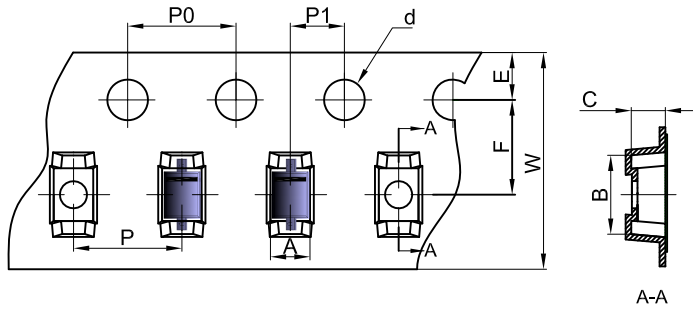
1. Controlling dimension: in millimeters.
2. General tolerance:  $\pm 0.05\text{mm}$ .
3. The pad layout is for reference purposes only.

### NOTICE

JCET reserve the right to make modifications, enhancements, improvements, corrections or other changes without further notice to any product herein. JCET does not assume any liability arising out of the application or use of any product described herein.

# SOD-323 Tape and Reel

## SOD-323 Embossed Carrier Tape

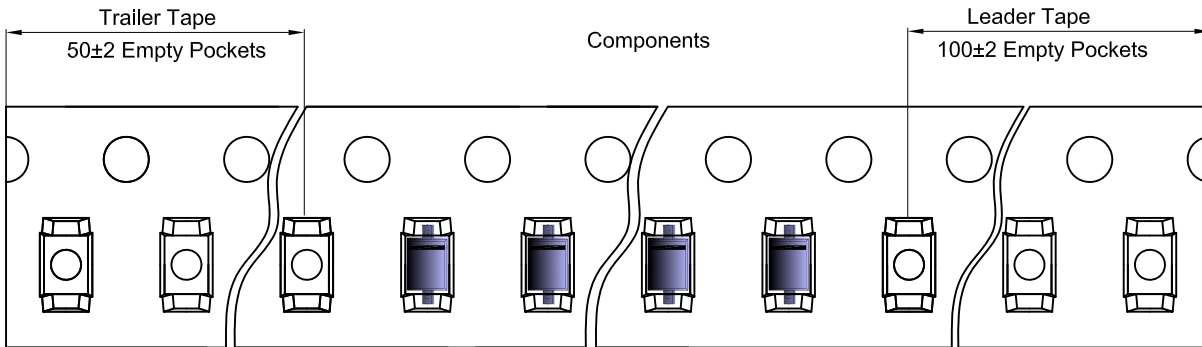


### Packaging Description:

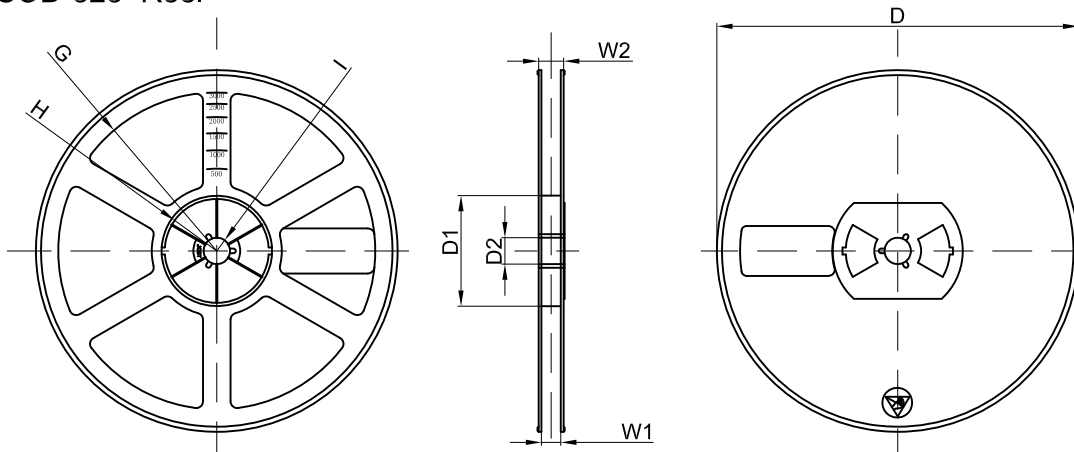
SOD-323 parts are shipped in tape. The carrier tape is made from a dissipative (carbon filled) polycarbonate resin. The cover tape is a multilayer film (Heat Activated Adhesive in nature) primarily composed of polyester film, adhesive layer, sealant, and anti-static sprayed agent. These reeled parts in standard option are shipped with 3,000 units per 7" or 17.8cm diameter reel. The reels are clear in color and is made of polystyrene plastic (anti-static coated).

| Dimensions are in millimeter |      |     |      |       |      |      |      |      |      |      |
|------------------------------|------|-----|------|-------|------|------|------|------|------|------|
| Pkg type                     | A    | B   | C    | d     | E    | F    | P0   | P    | P1   | W    |
| SOD-323                      | 1.48 | 3.3 | 1.25 | Ø1.50 | 1.75 | 3.50 | 4.00 | 4.00 | 2.00 | 8.00 |

## SOD-323 Tape Leader and Trailer



## SOD-323 Reel



| Dimensions are in millimeter |         |       |       |        |        |       |      |       |
|------------------------------|---------|-------|-------|--------|--------|-------|------|-------|
| Reel Option                  | D       | D1    | D2    | G      | H      | I     | W1   | W2    |
| 7" Dia                       | Ø178.00 | 54.40 | 13.00 | R78.00 | R25.60 | R6.50 | 9.50 | 12.30 |

| REEL     | Reel Size | Box        | Box Size(mm) | Carton      | Carton Size(mm) | G.W.(kg) |
|----------|-----------|------------|--------------|-------------|-----------------|----------|
| 3000 pcs | 7 inch    | 45,000 pcs | 203×203×195  | 180,000 pcs | 438×438×220     |          |