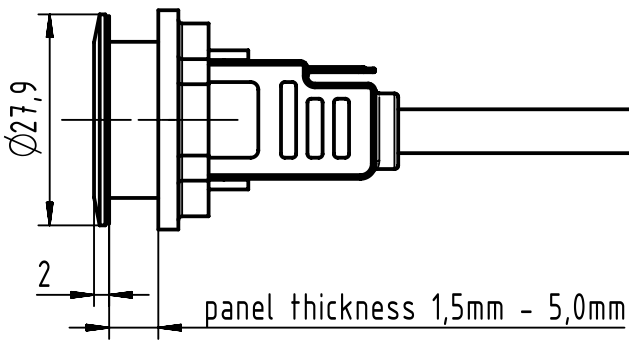
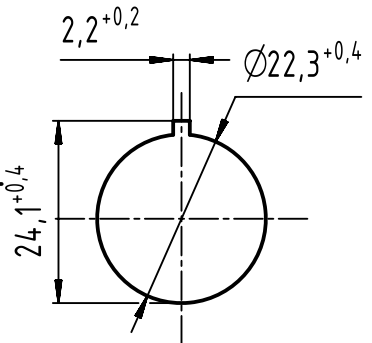
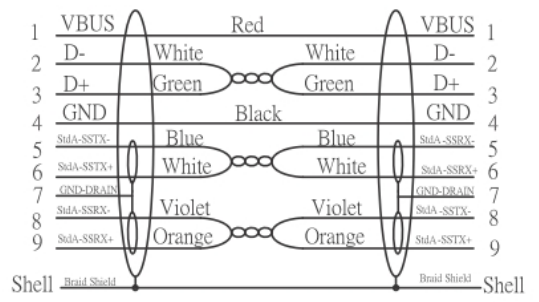


PANEL CUT DIMENSIONS



|                    |              |
|--------------------|--------------|
| 09 45 452 1974     | 3,0          |
| 09 45 452 1973     | 2,0          |
| 09 45 452 1972     | 1,5          |
| 09 45 452 1971     | 1,0          |
| 09 45 452 1970     | 0,5          |
| <b>Part number</b> | <b>a [m]</b> |

WIRING DIAGRAM



|   |  |  |                       |                             |                               |   |             |  |
|---|--|--|-----------------------|-----------------------------|-------------------------------|---|-------------|--|
|   | All rights reserved<br>Department EC PD - RO | All Dimensions in mm<br>Original Size DIN A4 |                       | Scale<br>1:1                | Free size tol.<br>ISO 2768 mH | Ref.<br>Sub. TB 0945452197X / 500000091377 / 2015-07-10 |             |  |
|   |  | Created by<br>TAMAS                          | Inspected by<br>AVRAM | Standardisation<br>HOFFMANN | Date<br>2016-11-25            | State<br>Final Release                                  |             |  |
| HARTING Electronics GmbH<br>D-32339 Espelkamp |  |  |                       |                             |                               | Title<br>har-port USB 3.0 A-A PFT black cable           |             | Doc-Key / ECM-Nr.<br>100629372/UGD/001/C<br>500000111080 |
| Type<br>TB                                    |  |  |                       | Number<br>0945452197X       |                               | Rev.<br>C   | Page<br>1/1 |  |