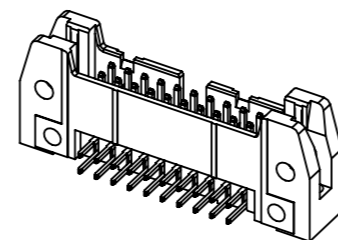
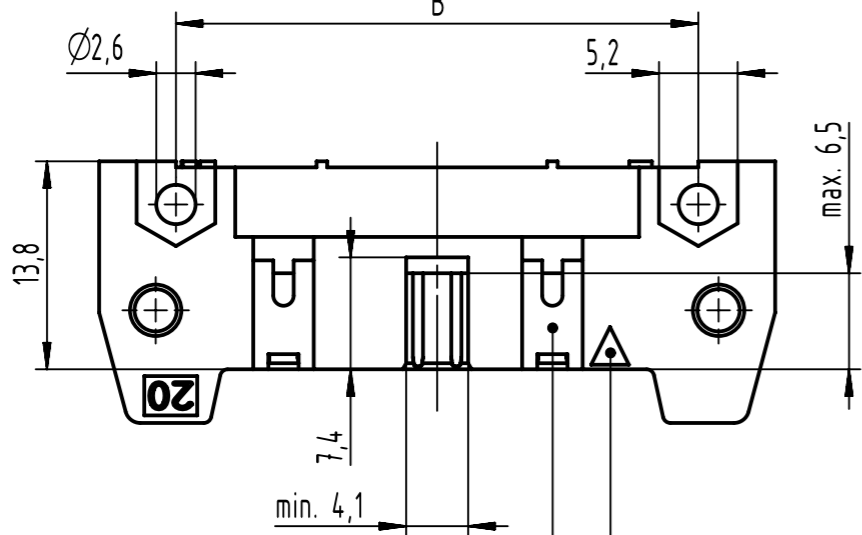
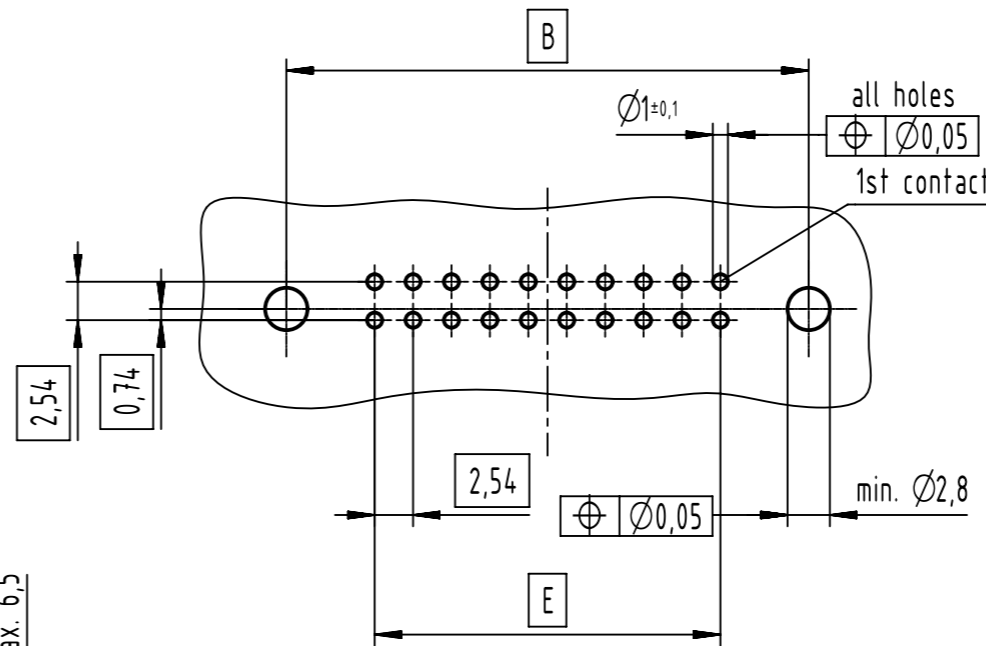
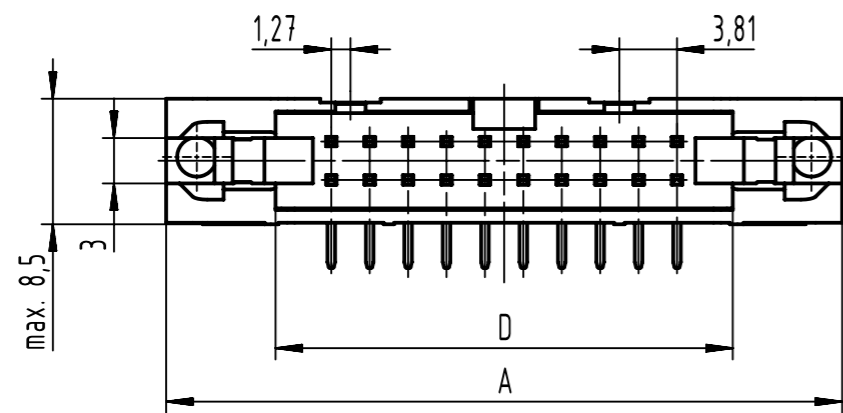


PCB layout  
view component side  
thickness 1,6



1st contact  
see table for coding,  
feature arrangement and style

coding style table	
	style A: for connectors 6-pole
	style B: for connectors from 10 to 14-pole
	style C: for connectors from 16 to 64-pole

further information see  
product data sheet

full range of P/N's and  
dimensions shown on page 2/2

	All Dimensions in mm Original Size DIN A3	Scale 2:1	Free size tol. IEC 60603-13	Ref.	
	All rights reserved Department EL PD	Created by STORCK	Inspected by LEHNERT	Standardisation 302077	Date 2021-02-02
HARTING D-32339 Espelkamp	Title SEK 19 male STD solder angled without lever 2.9			State Final Release	
	Type TB	Number 09195XXX923		Doc-Key / ECM-Nr. 100154464/UGD/039/B 500000163153	Page 1/2
				Rev. B	

A  
B  
C  
D  
E  
F

no. of contacts	performance level			insulator colour	remark	dimensions			
	PL3	PL2	NM30 (S4)			A max.	B	D	E
06	09 19 506 7923	09 19 506 6923	09 19 506 5923	beige	-	27,22	16,76	12,45	2,54 x 2 = 5,08
10	09 19 510 7923	09 19 510 6923	09 19 510 5923			32,30	21,84	17,53	2,54 x 4 = 10,16
14	09 19 514 7923	09 19 514 6923	09 19 514 5923			37,38	26,92	22,61	2,54 x 6 = 15,24
16	09 19 516 7923	09 19 516 6923	09 19 516 5923			39,92	29,46	25,15	2,54 x 7 = 17,78
20	09 19 520 7923	09 19 520 6923	09 19 520 5923			45,00	34,54	30,23	2,54 x 9 = 22,86
24	09 19 524 7923	09 19 524 6923	09 19 524 5923			50,08	39,62	35,91	2,54 x 11 = 27,94
26	09 19 526 7923	09 19 526 6923	09 19 526 5923			52,62	42,16	37,85	2,54 x 12 = 30,48
30	09 19 530 7923	09 19 530 6923	09 19 530 5923			57,70	47,24	42,93	2,54 x 14 = 35,56
34	09 19 534 7923	09 19 534 6923	09 19 534 5923			62,78	52,32	48,01	2,54 x 16 = 40,64
40	09 19 540 7923	09 19 540 6923	09 19 540 5923			70,40	59,94	55,63	2,54 x 19 = 48,26
50	09 19 550 7923	09 19 550 6923	09 19 550 5923			83,10	72,64	68,33	2,54 x 24 = 60,96
60	09 19 560 7923	09 19 560 6923	09 19 560 5923			95,80	85,34	81,03	2,54 x 29 = 73,66
64	09 19 564 7923	09 19 564 6923	09 19 564 5923			100,88	90,42	86,11	2,54 x 31 = 78,74
06	09 19 506 7923 001	09 19 506 6923 001	09 19 506 5923 001			black	without printing; available on request	27,22	16,76
10	09 19 510 7923 001	09 19 510 6923 001	09 19 510 5923 001	32,30	21,84			17,53	2,54 x 4 = 10,16
14	09 19 514 7923 001	09 19 514 6923 001	09 19 514 5923 001	37,38	26,92			22,61	2,54 x 6 = 15,24
16	09 19 516 7923 001	09 19 516 6923 001	09 19 516 5923 001	39,92	29,46			25,15	2,54 x 7 = 17,78
20	09 19 520 7923 001	09 19 520 6923 001	09 19 520 5923 001	45,00	34,54			30,23	2,54 x 9 = 22,86
24	09 19 524 7923 001	09 19 524 6923 001	09 19 524 5923 001	50,08	39,62			35,91	2,54 x 11 = 27,94
26	09 19 526 7923 001	09 19 526 6923 001	09 19 526 5923 001	52,62	42,16			37,85	2,54 x 12 = 30,48
30	09 19 530 7923 001	09 19 530 6923 001	09 19 530 5923 001	57,70	47,24			42,93	2,54 x 14 = 35,56
34	09 19 534 7923 001	09 19 534 6923 001	09 19 534 5923 001	62,78	52,32			48,01	2,54 x 16 = 40,64
40	09 19 540 7923 001	09 19 540 6923 001	09 19 540 5923 001	70,40	59,94			55,63	2,54 x 19 = 48,26
50	09 19 550 7923 001	09 19 550 6923 001	09 19 550 5923 001	83,10	72,64			68,33	2,54 x 24 = 60,96
60	09 19 560 7923 001	09 19 560 6923 001	09 19 560 5923 001	95,80	85,34			81,03	2,54 x 29 = 73,66
64	09 19 564 7923 001	09 19 564 6923 001	09 19 564 5923 001	100,88	90,42			86,11	2,54 x 31 = 78,74

	All rights reserved	Created by STORCK	Inspected by LEHNERT	Standardisation 302077	Date 2021-02-02	State Final Release	
	Department EL PD	Title SEK 19 male STD solder angled without lever 2.9				Doc-Key / ECM-Nr. 100154464/UGD/039/B 500000163153	
HARTING D-32339 Espelkamp		Type TB	Number 09195XXX923			Rev. B	Page 2/2

A  
B  
C  
D  
E  
F