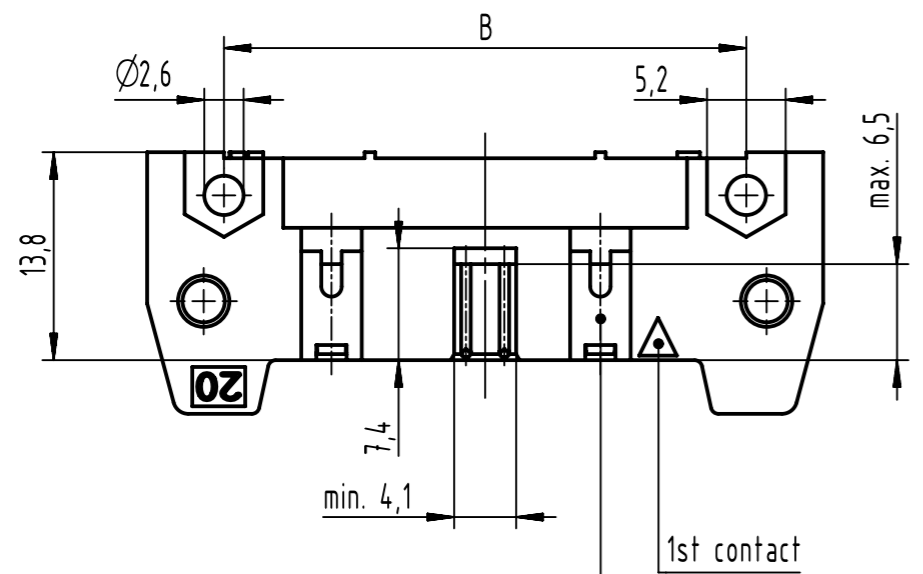
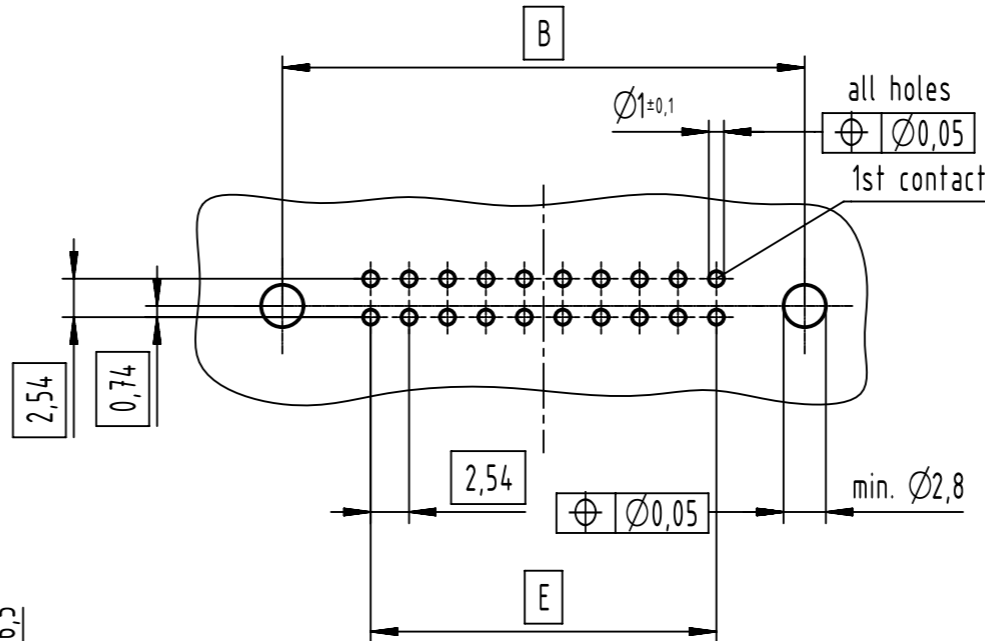


PCB layout
view component side
thickness up to 3,2



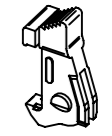
coding style table

	style A: for connectors 6-pole
	style B: for connectors from 10 to 14-pole
	style C: for connectors from 16 to 64-pole

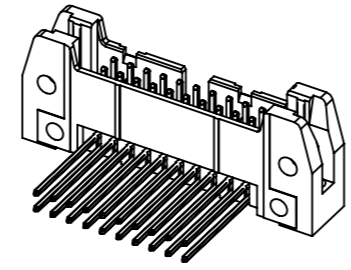
further information see
product data sheet

full range of P/N's and
dimensions shown on page 2/2

locking levers have to be order separately
- long locking lever: 09180009903
- short locking lever: 09180009904

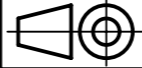


1st contact
see table for coding,
feature arrangement and style



	All Dimensions in mm Original Size DIN A3	Scale 2:1	Free size tol. IEC 60603-13	Ref.	
	All rights reserved Department EL PD	Created by STORCK	Inspected by LEHNERT	Standardisation 302077	Date 2021-02-02
HARTING D-32339 Espelkamp	Title SEK 18 male STD angled wire wrap without lever 15.0			Doc-Key / ECM-Nr. 100154464/UGD/051/B 500000163153	
	Type TB	Number 09185XXX926		Rev. B	Page 1/2

no. of contacts	performance level			insulator colour	dimensions			
	PL3	PL2	NM30 (S4)		A max.	B	D	E
06	09 18 506 7926	09 18 506 6926	09 18 506 5926	grey	27,22	16,76	12,45	2,54 x 2 = 5,08
10	09 18 510 7926	09 18 510 6926	09 18 510 5926		32,30	21,84	17,53	2,54 x 4 = 10,16
14	09 18 514 7926	09 18 514 6926	09 18 514 5926		37,38	26,92	22,61	2,54 x 6 = 15,24
16	09 18 516 7926	09 18 516 6926	09 18 516 5926		39,92	29,46	25,15	2,54 x 7 = 17,78
20	09 18 520 7926	09 18 520 6926	09 18 520 5926		45,00	34,54	30,23	2,54 x 9 = 22,86
24	09 18 524 7926	09 18 524 6926	09 18 524 5926		50,08	39,62	35,91	2,54 x 11 = 27,94
26	09 18 526 7926	09 18 526 6926	09 18 526 5926		52,62	42,16	37,85	2,54 x 12 = 30,48
30	09 18 530 7926	09 18 530 6926	09 18 530 5926		57,70	47,24	42,93	2,54 x 14 = 35,56
34	09 18 534 7926	09 18 534 6926	09 18 534 5926		62,78	52,32	48,01	2,54 x 16 = 40,64
40	09 18 540 7926	09 18 540 6926	09 18 540 5926		70,40	59,94	55,63	2,54 x 19 = 48,26
50	09 18 550 7926	09 18 550 6926	09 18 550 5926		83,10	72,64	68,33	2,54 x 24 = 60,96
60	09 18 560 7926	09 18 560 6926	09 18 560 5926		95,80	85,34	81,03	2,54 x 29 = 73,66
64	09 18 564 7926	09 18 564 6926	09 18 564 5926		100,88	90,42	86,11	2,54 x 31 = 78,74

	All Dimensions in mm Original Size DIN A3	Scale 1:1	Free size tol.		Ref.
	All rights reserved Department EL PD	Created by STORCK	Inspected by LEHNERT	Standardisation 302077	Sub.
HARTING D-32339 Espelkamp	Title SEK 18 male STD angled wire wrap without lever 15.0			Date 2021-02-02	State Final Release
	Type TB	Number 09185XXX926		Doc-Key / ECM-Nr. 100154464/UGD/051/B 500000163153	Rev. B Page 2/2