

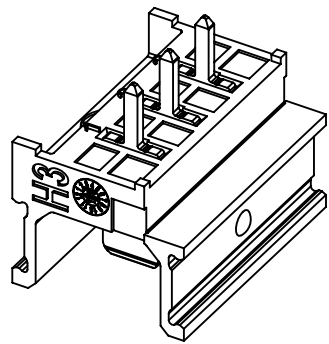
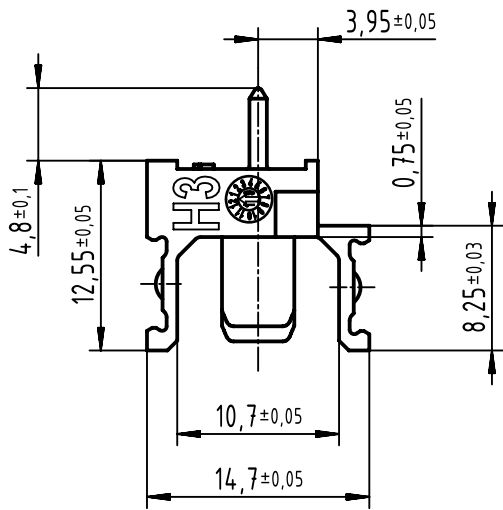
1 2 3 4 5 6

A

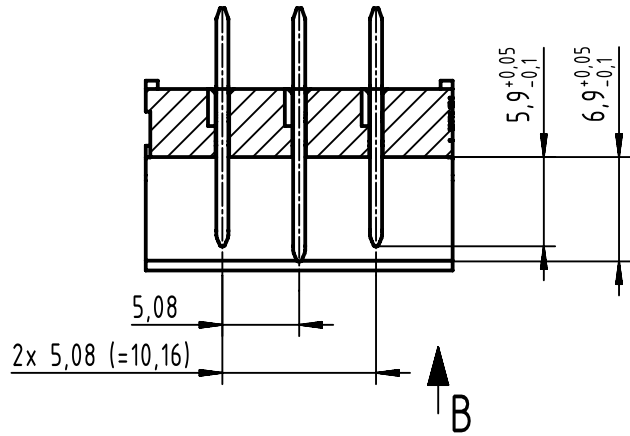
B

C

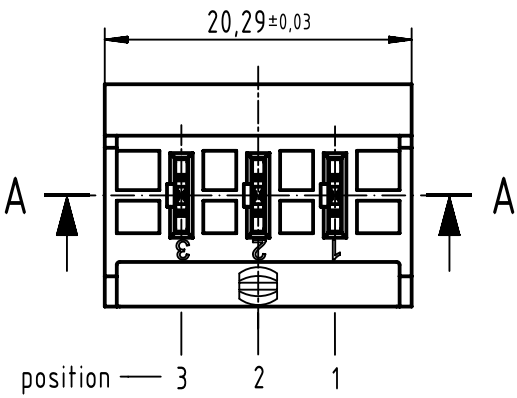
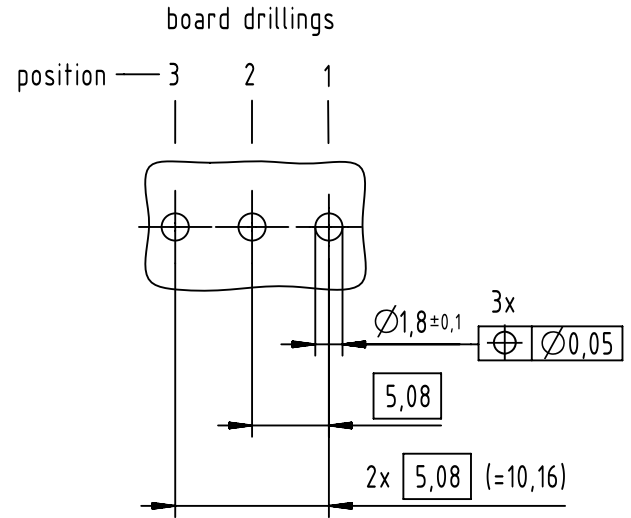
D



A-A



B



	All Dimensions in mm Original Size DIN A4	Scale	Free size tol.		Ref.	
		2:1			Sub.	
All rights reserved Department EL PD	HARTING D-32339 Espelkamp	Created by	Inspected by	Standardisation	Date	State
		HASSE	WOLF	302077	2021-07-07	Final Release
Title har-modular H3-module male straight solder 3-pole					Doc-Key / ECM-Nr. 100809825/UGD/001/D 500000198824	
		Type	Number		Rev.	Page
		TB	02539031301		D	1/1