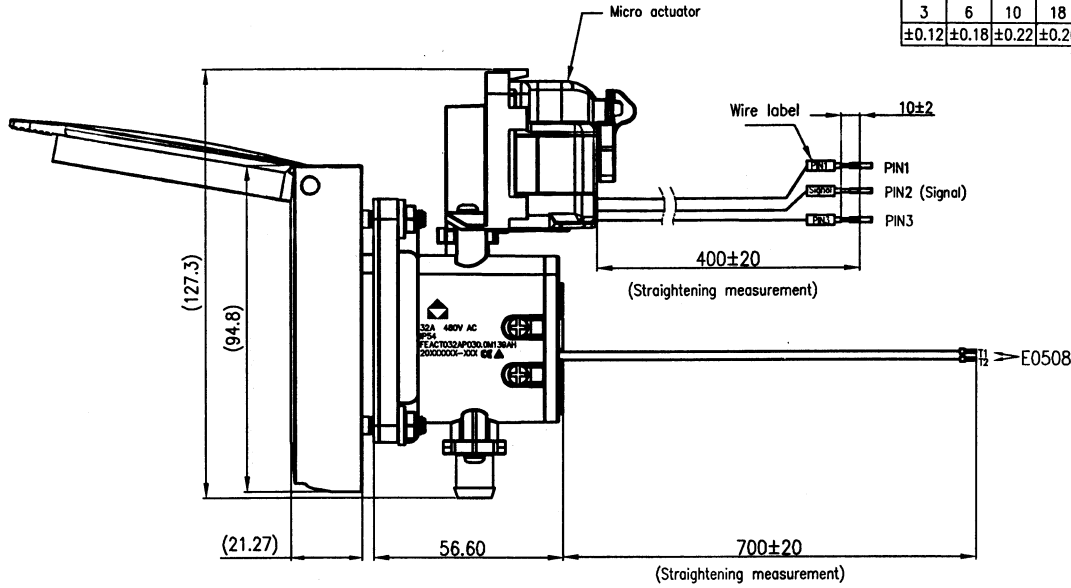
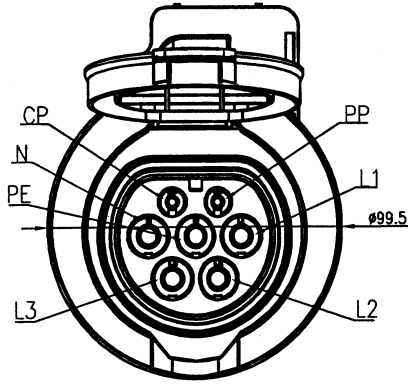
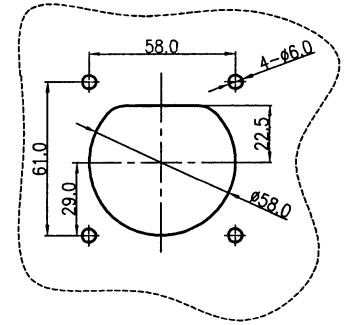


未注公差/General tolerances(mm)											D		
0	>3	>6	>10	>18	>30	>50	>80	>120	>180	>250		>315	>400
~ 3	~ 6	~ 10	~ 18	~ 30	~ 50	~ 80	~ 120	~ 180	~ 250	~ 315	~ 400	~ 500	>500
±0.12	±0.18	±0.22	±0.26	±0.31	±0.37	±0.57	±0.80	±0.93	±1.05	±1.15	±1.60	±2.20	±2.50



Installation plate dimension



Connection Mode:

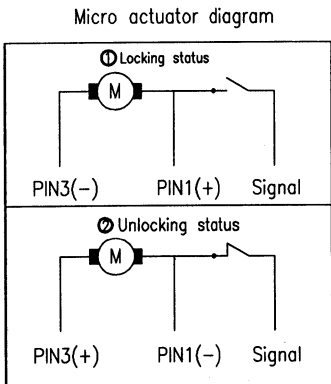
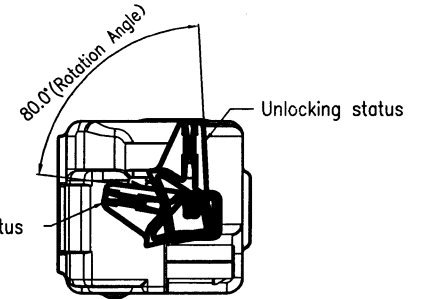
L1	Red (6mm ²)	L1
L2	Orange (6mm ²)	L2
L3	Brown (6mm ²)	L3
N	Blue (6mm ²)	N
PE	Yellow/Green (6mm ²)	PE
PP	Black (0.75mm ²)	PP
CP	Red (0.75mm ²)	CP
NTC	White (2BAWG)	T1
	White (2BAWG)	T2
Micro Actuator	Green (18AWG)	PIN1
	Blue (18AWG)	PIN2 (Signal)
	Red (18AWG)	PIN3

Laser Prining:



Micro actuator parameters:
 Rated Voltage: DC 12V
 Operating Voltage : 9-15.5 V
 Current consumption: <2.4A
 Reactive Time: 40ms < t < 200ms
 ① PIN 1 +, PIN3 -: The switch will be disconnected in Locking status
 ② PIN 1 -, PIN3 +: The switch will be connected in unlocking status
 PIN 2: signal
 H -Bridge is necessary for polarity change

Attention:
 The Thermistor is placed beside of L1
 The Thermistor is NTC
 (Specification :T= 25°C Resistance = 10±1% Kohm)
 The resistance decreases with increasing temperature



额定电压电流/Rated voltage/Current	480V AC/32A
绝缘电阻/Insulation resistance	>100MΩ,500V DC 1min
耐压/Withstanding voltage	L, N and PE ,2500V AC 1min L and N ,2500V AC 1min
防护等级/Ingress protection	IP54
插拔寿命/Insertion/Pullout times	10,000 Times
插拔力/Insertion/Pullout force	<100N
使用温度范围/Operating temperature(°C)	-30~+50
标准/Reference standard	IEC 62196-2:2016
符合RoHS环保要求/Conform to RoHS	Yes

		MATERIAL:	SURFACE/COLOR:		
APPD: Simon 2023.10.18		MAT NO./REV: DO-1	MAT STATUS:		
CHKD: DongRT 2023.10.18	NAME: FEAC-T-032A-P-03-0.0M-139A(H)				
DRFT: Hu MY 2023.10.18	DRAWING NO.	TYPE	DRAWING STATUS	SCALE	SHEET
⊕	A4	CUSTOMER DRAWING		1:3	1/1

REV	ECN	DESCRIPTION	DRFT	DATE