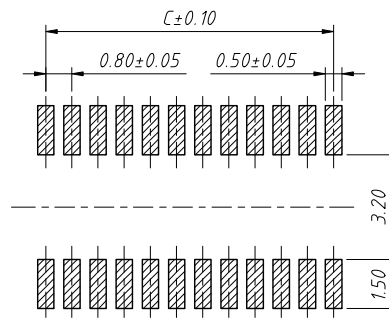
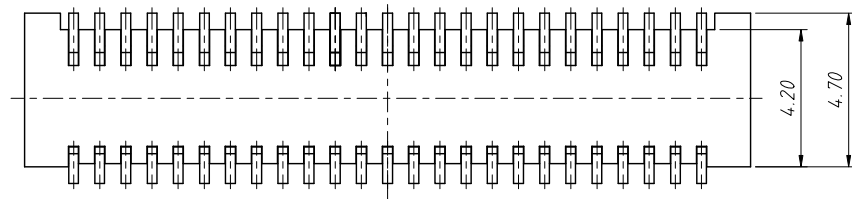
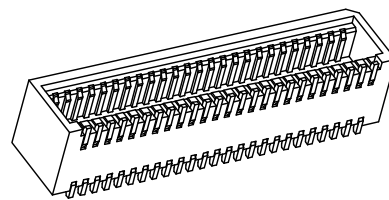
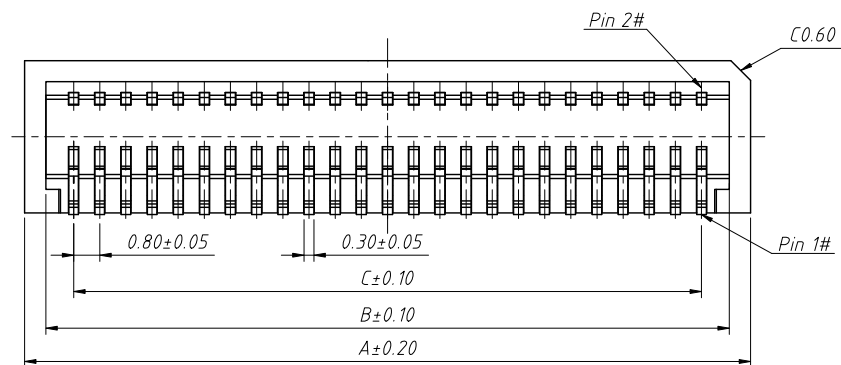
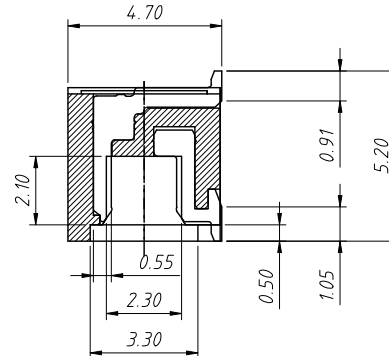
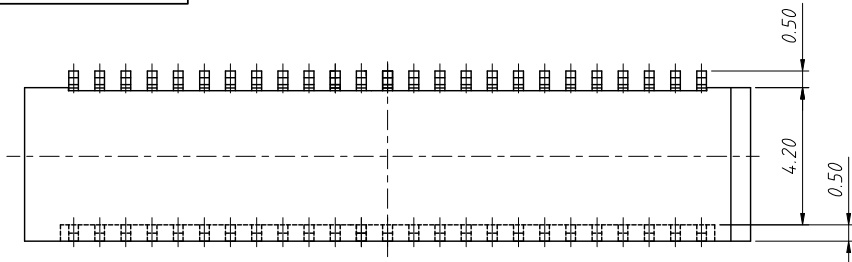
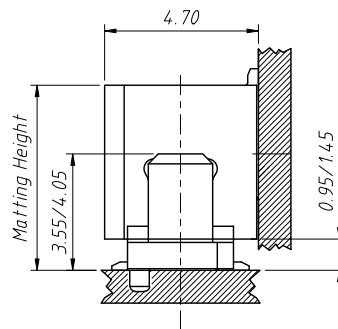


RoHS Compliance



Circuit	A	B	C	Circuit	A	B	C
10	6.20	4.90	3.20	34	15.80	14.50	12.80
12	7.00	5.70	4.00	36	16.60	15.30	13.60
14	7.80	6.50	4.80	38	17.40	16.10	14.40
16	8.60	7.30	5.60	40	18.20	16.90	15.20
18	9.40	8.10	6.40	50	22.20	20.90	19.20
20	10.20	8.90	7.20	60	26.20	24.90	23.20
22	11.00	9.70	8.00	68	29.40	28.10	26.40
24	11.80	10.50	8.80	70	30.20	28.90	27.20
26	12.60	11.30	9.60	80	34.20	32.90	31.20
28	13.40	12.10	10.40	90	38.20	36.90	35.20
30	14.20	12.90	11.20	100	42.20	40.90	39.20
32	15.00	13.70	12.00				



Mating Drawing (Ref)

Material and Plated

- 1.Housing:High Temp Plastic,(LCP UL94V-0)
- 2.Contact:Phosphor Bronze
- 3.Plated:Gold Plated
- 4.Package:800PCS/Reel

Specifications:

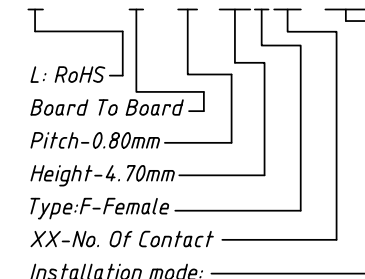
- 1.Current Rating:1.75A AC/DC
- 2.Voltage Rating:100V AC/DC
- 3.Contact Resistance:40mΩ. max.
- 4.Insulation Resistance:100MΩ. min.
- 5.Withstanding Voltage:500V AC for one minute
- 6.Operating Temperature Range:-40°C to + 105°C

Mating Height Dimension

P/N Plug	P/N Socket	Mating Height
B0408-405M	B0508-415F	5.5
B0408-355M	B0508-515F	6.0
B0408-405M	B0508-565F	7.0
B0408-405M	B0508-470F	6.15

Order Information:

L-KLS1-B0508-470FXX-TR



T=SMD Without Post, T3=SMD With Post
Packing:R=Reel T=Tube

ANGLE TOLERANCE	PROJECTION	Description:
±3°		Pitch 0.8mm Board to Board Connector H5.00~15.00mm
GENERAL TOLERANCE	UNITS	mm
x.x ±0.30	SHEET SIZE	A4
x.xx ±0.20	Draw:	Daniel 2020-11-11
x.xxx ±0.10	Check:	Daniel 2020-11-11



NingBo KLS ELECTRONIC CO.,L TD.