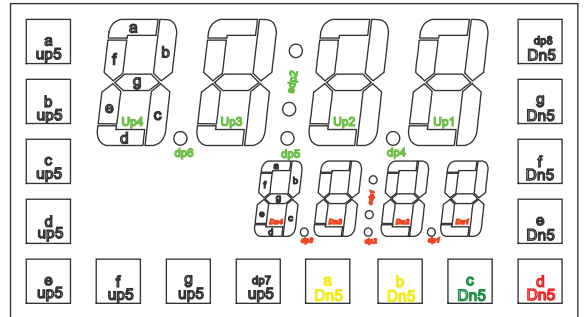
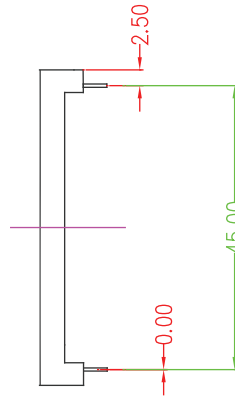
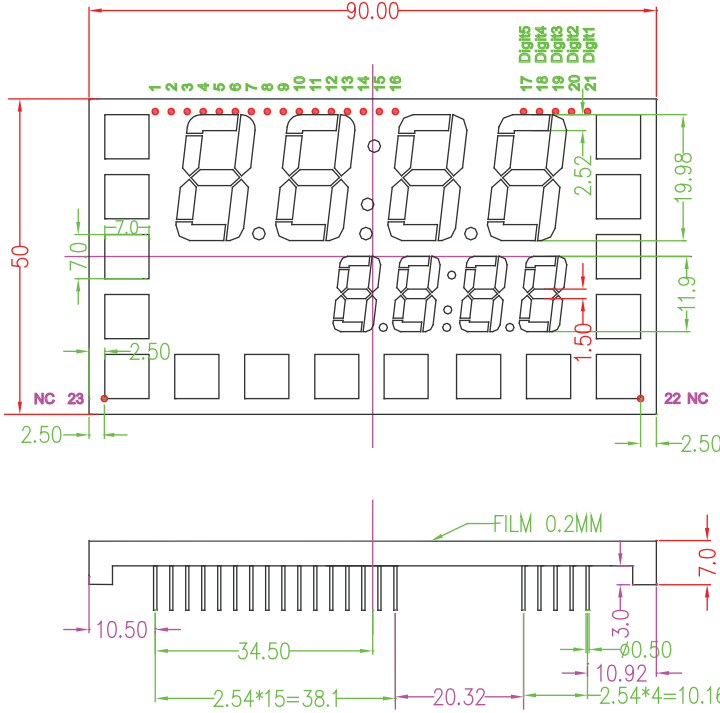


LB9050 2023-10-11



Film 1



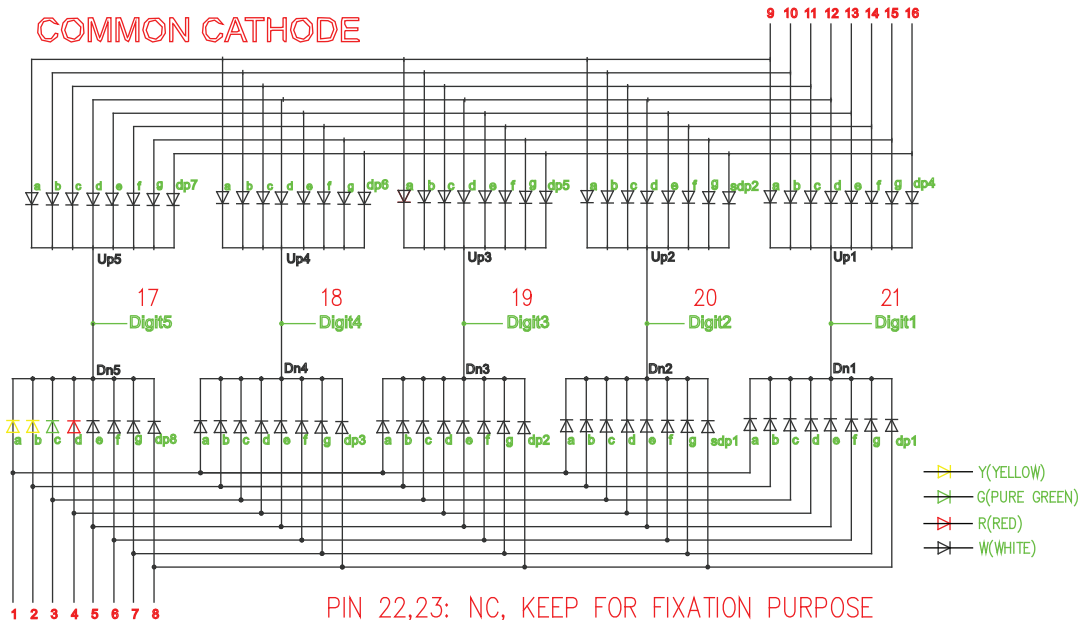
LB9050LWRYG1S-SMT-KF-T1

Film 2



LB9050LWRYG1S-SMT-KF-T2

COMMON CATHODE



PIN 22,23: NC, KEEP FOR FIXATION PURPOSE