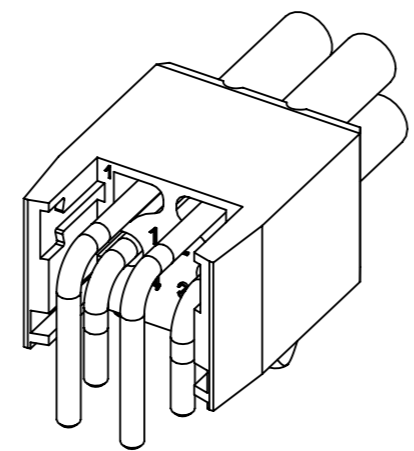
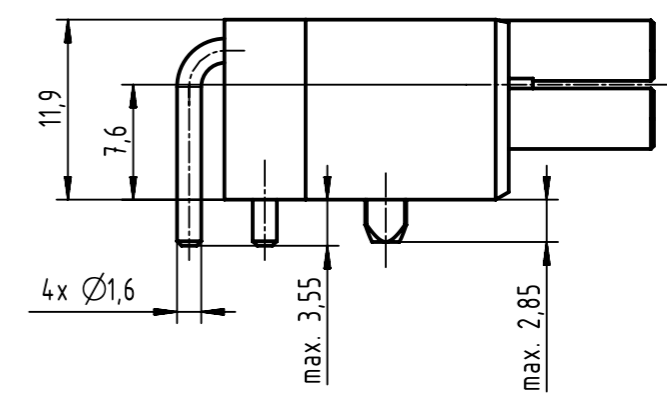


Usable with HARTING PushPull (V4)  
receptacle housing  
(please order separately):  
09455450042, 09455450043



further information see product data sheet

	All rights reserved Department EL PD	Created by ZWAHR	Inspected by ELLERMANN	Standardisation SAP_WFRT	Date 2022-01-25	State Final Release	Ref. Sub.
	HARTING D-32339 Espelkamp	Title HPP V4 Power insert 4 pole angled solder 48V/12A				Doc-Key / ECM-Nr. 100229000/UGD/001/C 500000210314	
		Type TB	Number 09465004400		Rev. C	Page 1/1	