

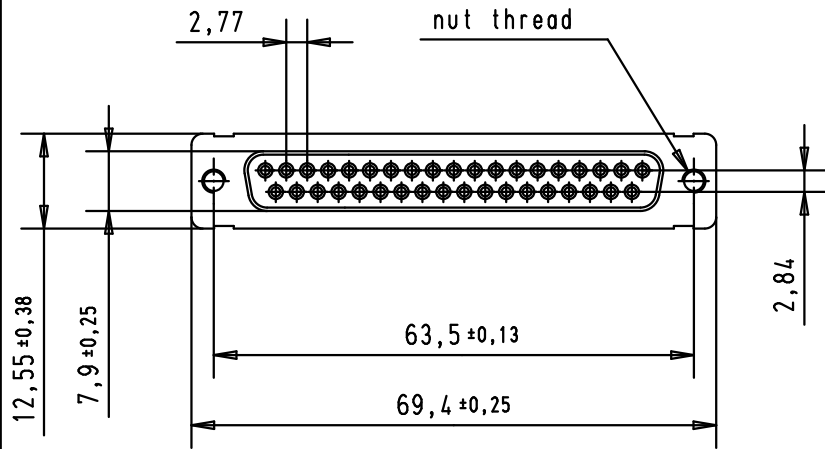
5

4

3

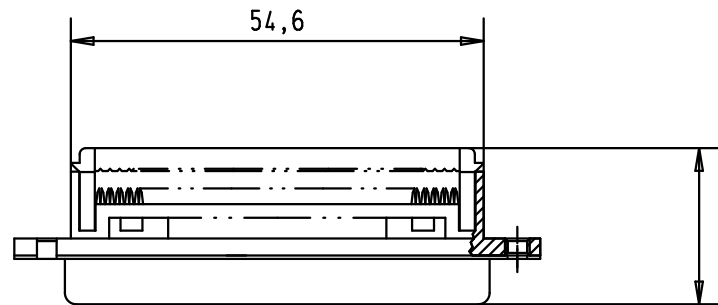
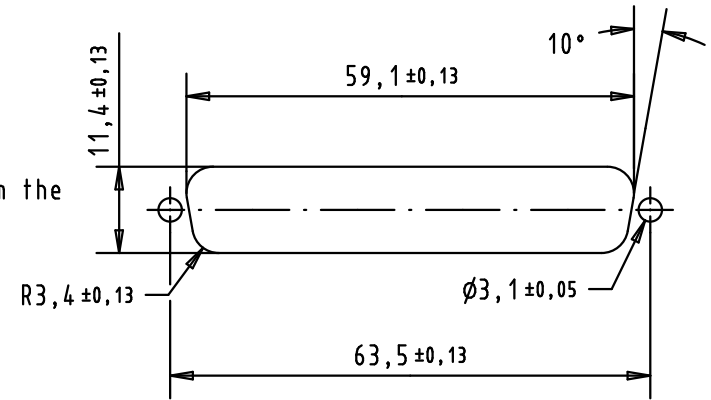
2

1

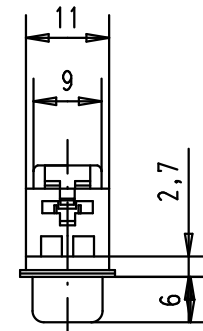


Values are taken from the CECC 75 301-802

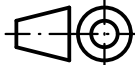

RECOMMENDED PANEL CUTOUT DIMENSIONS FOR REAR MOUNTING



20,65 pre-crimping position  
18,20 after crimping position



1.27 mm pitch flat cable stranded, wire sizes : AWG 26 to 28

A	09 66 418 7502	PL3	4-40 UNC							 All Dim. in mm Orig. Size DIN A 4	D-sub, female, 37 poles, straight, IDC, nut fixing	Maßstab/ Scale 1 : 1	
	09 66 418 6502	PL2	4-40 UNC				Detail.	19-MAR-02	CV				
	09 66 418 7501	PL3	M3				Insp.	23-SEP-11	JB				
	09 66 418 6501	PL2	M3		EC03837	23-SEP-11	BH	Stand.					
					EC01902	21-MAY-10	SC	HARTING EURL F-95972 Paris				TB 09 66 418 x50x	Blatt/ Page 1 / 1
part number	performance level	Nut thread		29756	19-MAR-02	CV	Mod.						