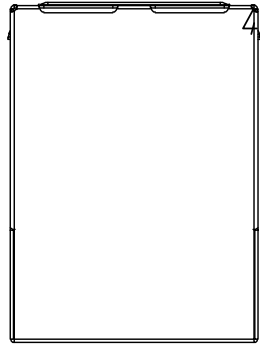


1
RoHS Compliance



5
Order Information

L-KLS12-TL453-1x1-03

RoHS

Plating Code:

- 01-Fu" Gold Plating
- 02-3u" Gold Plating
- 03-6u" Gold Plating
- 04-15u" Gold Plating
- 05-30u" Gold Plating

REV	SYM	Revision Record	Appr.	Date
V0	KLS12054	New Version Release	Song	2023-09-16

Notes:

1.Material:

Housing:LCP,UL 94 V-0,Black

Terminals Bracket:PBT,UL 94 V-0,Black

Shield:C2680,T=0.20MM,Nickel Plating On All Area

Terminal:Phosphor Bronze C5191,T=0.35mm,

6u" Gold Plating On Mating Area

2.Mechanical:

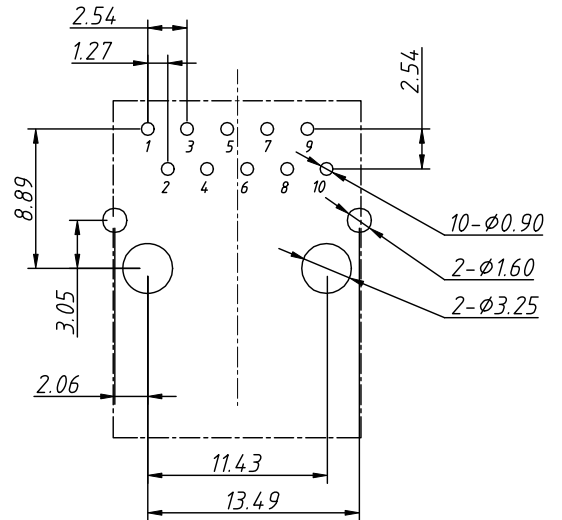
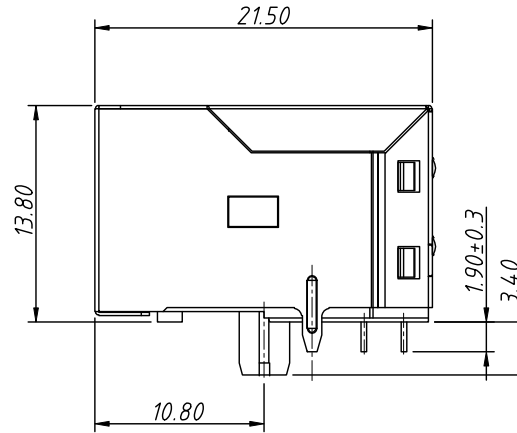
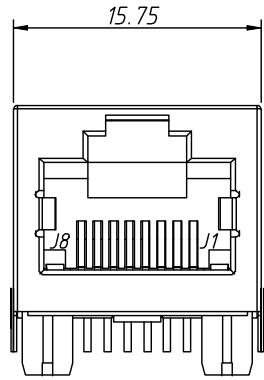
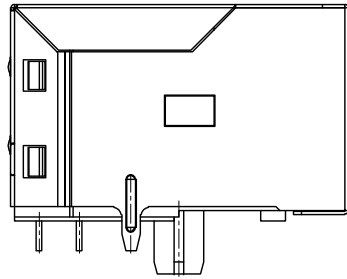
Durability:750 Cycles Min

Mating Force:23N Max

Operating Temperature:-40°C ~ +85°C

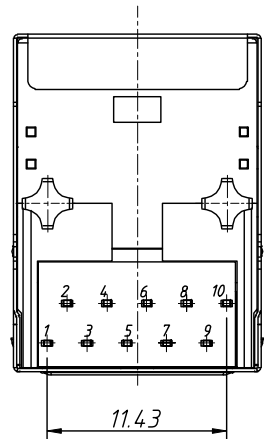
Storage Temperature:-40°C ~ +85°C

Packaging:Blister(50/1200,4.0×32×33.3)



Recommended PCB Layout

Tolerance:±0.05mm



ANGLE TOLERANCE	PROJECTION	Description:	
±3°			TAB-UP 1X1 1000BASE
GENERAL TOLERANCE	UNITS	mm	KLS P/N: L-KLS12-TL453-1x1
x.x ±0.30	SHEET SIZE	A4	1 Of 4
x.xx ±0.25	Draw:	Song	2023-09-16
x.xxx ±0.10	Check:	Daniel	2023-09-16

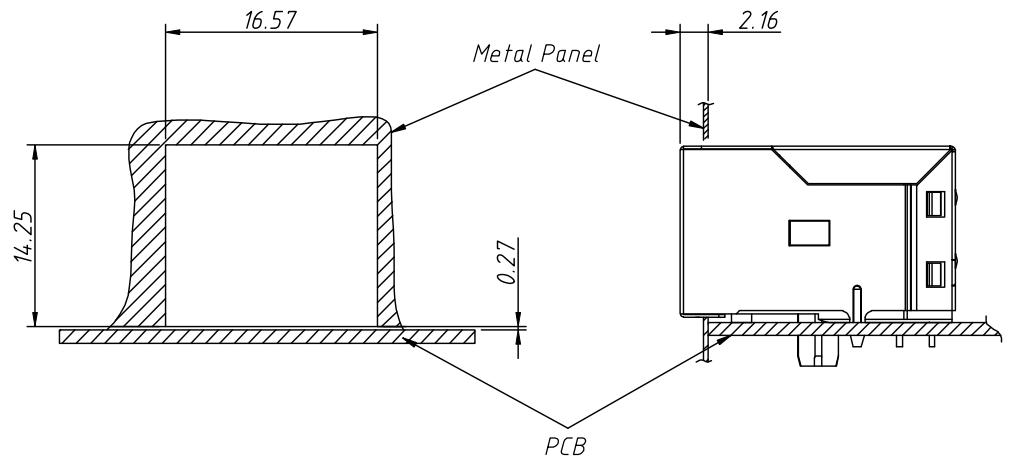


NingBo KLS ELECTRONIC CO.,LTD.

1
RoHS Compliance

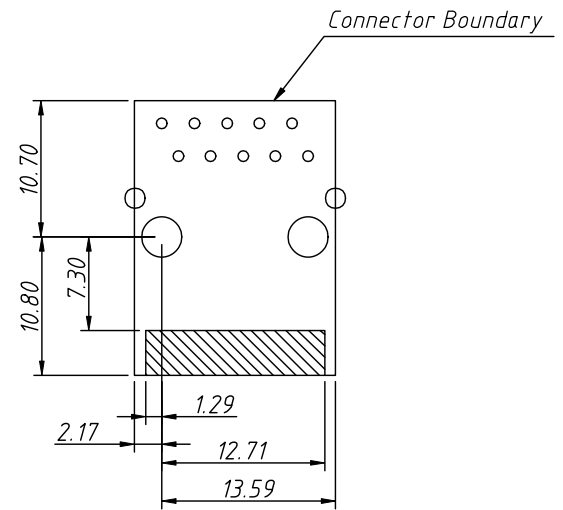
6	7	8
REV	SYM	Revision Record
V0	KLS12054	New Version Release
		Appr. Song
		Date 2023-09-16

Suggested Panel Opening:



Unit: mm/Inch
Tolerances: ±0.10/0.004

Keep-Out Area (Component Side View):

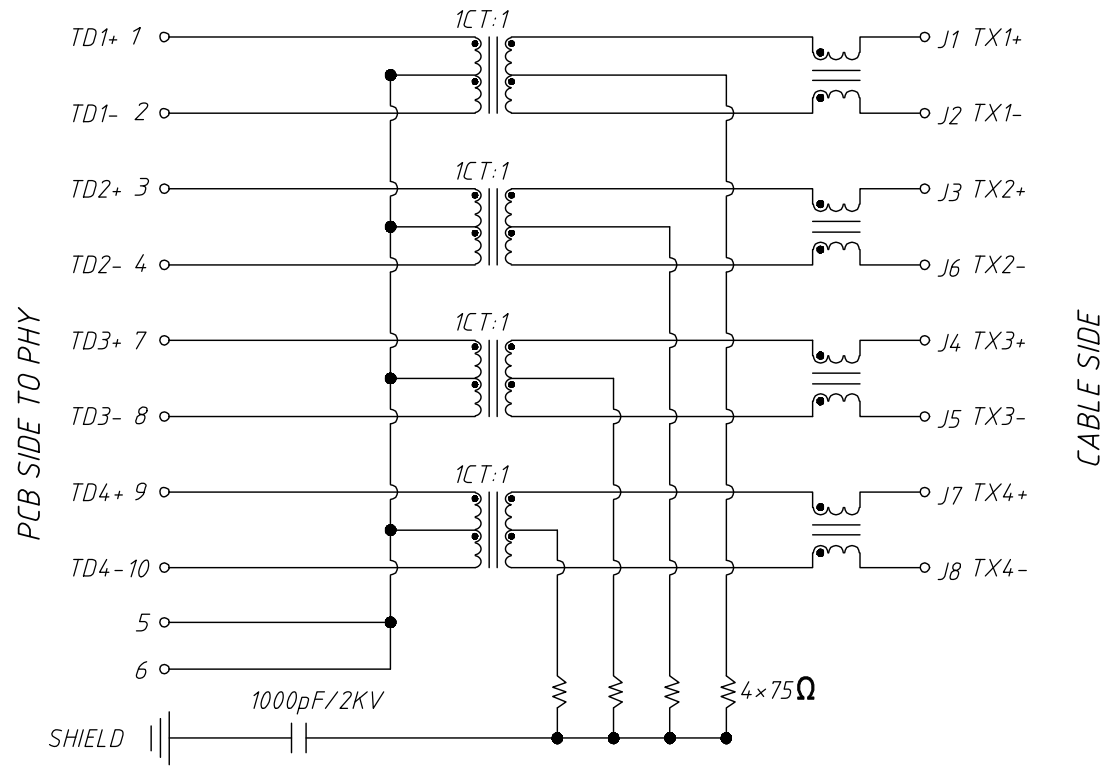


Unit: mm/Inch
Tolerances: ±0.10/0.004

ANGLE TOLERANCE	PROJECTION	Description:	
±3°		TAB-UP 1X1 1000BASE	
GENERAL TOLERANCE	UNITS	mm	KLS P/N: L-KLS12-TL453-1x1-03
x.x ±0.30	SHEET SIZE	A4	2 Of 4
x.xx ±0.25	Draw:	Song	2023-09-16
x.xxx ±0.10	Check:	Daniel	2023-09-16



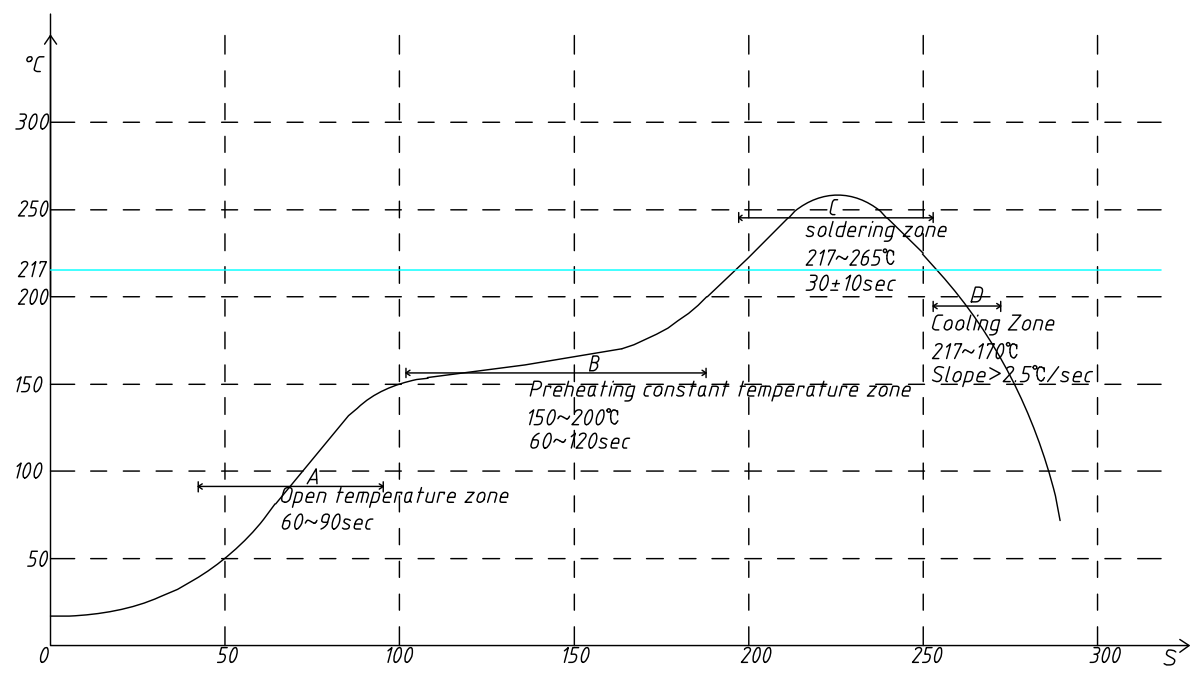
6	7	8
REV	SYM	Revision Record
V0	KLS12054	New Version Release
		Appr.
		Song
		Date
		2023-09-16



- Electrical:
- Turn Ratio: 1 ~ 2:: J1 ~ J2=1CT:1CT(±2%)
3 ~ 4: J3 ~ J6=1CT:1CT(±2%)
7 ~ 8: J4 ~ J5=1CT:1CT(±2%)
9 ~ 10: J7 ~ J8=1CT:1CT(±2%)
 - OCL: 350uH Min.at 100KHz 100mV 8mA DC
 - Insertion Loss: -1.0 dB Max 1 ~ 100MHz
-1.2 dB Max 100 ~ 125MHz
 - Return Loss: -16dB Min 1 ~ 40MHz
-12dB Min 40 ~ 60MHz
-10dB Min 60 ~ 80MHz
-8dB Min 80 ~ 100MHz
 - Cross Talk: -30dB Min 1 ~ 100MHz
 - CMR: -30dB Min 1 ~ 100MHz
 - Hi-Pot: 2250V DC 6S 1mA PRI TO SEC

ANGLE TOLERANCE	PROJECTION	Description:
±3°		TAB-UP 1X1 1000BASE
GENERAL TOLERANCE	UNITS	mm
x.x ±0.30	SHEET SIZE	A4
x.xx ±0.25	Draw:	Song
x.xxx ±0.10	Check:	Daniel
		2023-09-16
		2023-09-16
		L-KLS12-TL453-1x1-03
		NingBo KLS ELECTRONIC CO.,L TD.

PROFILE OF REFLOW SOLDERING



A. Temperature range of open
 B. Preheat temperature zone
 C. The welding zone
 D. The cooling zone
 Tip temperature: 265±5°C.
 Tip temperature time: 30±10Sec
 Tip melting point of Sn96.5/Ag3/Cu0.5

ANGLE TOLERANCE	PROJECTION	Description:
±3°		TAB-UP 1X1 1000BASE
GENERAL TOLERANCE	UNITS	KLS P/N:
x.x ±0.30	mm	L-KLS12-TL453-1x1-03
x.xx ±0.25	SHEET SIZE	4 Of 4
x.xxx ±0.10	Draw:	Song 2023-09-16
	Check:	Daniel 2023-09-16

