

Technical Document

FA 1238 23 # 27



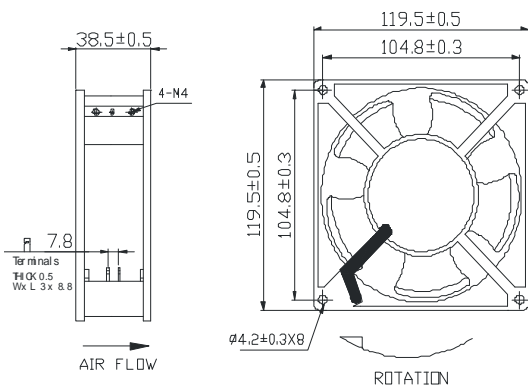
2023, Brussels

Features

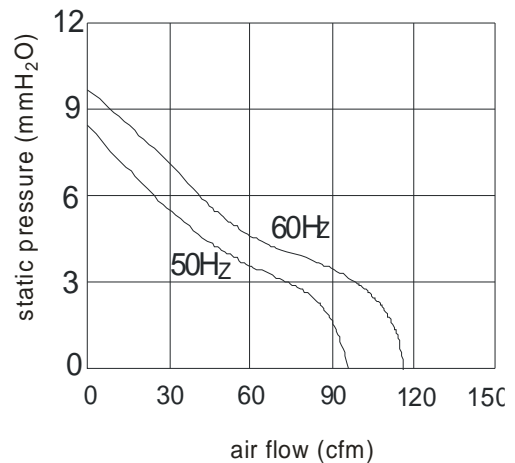
Parameter	Units	Specifications
Dimensions	mm	120x120x38
Weight	gram	530
Phase	-	1
Power Supply	VAC	230
Frequency	Hz	50/60
Current	A	0.14/0.12
Power Input	W	22/21
Speed	RPM	2700/3100
Max. Air Flow	cfm	95/115
Static Pressure	mmH ₂ O	8.38/9.65
Sound Level	dBA	42/47
Operating Temp.	°C	-30~+75 (ball bearing); -10~+70 (sleeve bearing)
Life	hours	60000 (ball bearing); 50000 (sleeve bearing)
Bearing	-	Ball (B); Sleeve (S)
Housing Material	-	Die cast aluminum alloy
Impeller Material	-	UL 94-0 rating plastic
Electrical connection	-	Terminals (C); Lead wires (L)
Motor Protection	-	Impedance protected
Certifications	-	CE

*: above specifications are subject to change without prior notice

Dimensions



Performance



Ordering Code:

Model	Part Number	Description
FA1238 23 B 27 C	200164	AC120x120x38 fan, ball bearing, with terminals as electrical connection
FA1238 23 B 27 L	200159	AC120x120x38 fan, ball bearing, with lead wires as electrical connection
FA1238 23 S 27 C	200160	AC120x120x38 fan, sleeve bearing, with terminals as electrical connection
FA1238 23 S 27 L	200161	AC120x120x38 fan, sleeve bearing, with lead wires as electrical connection