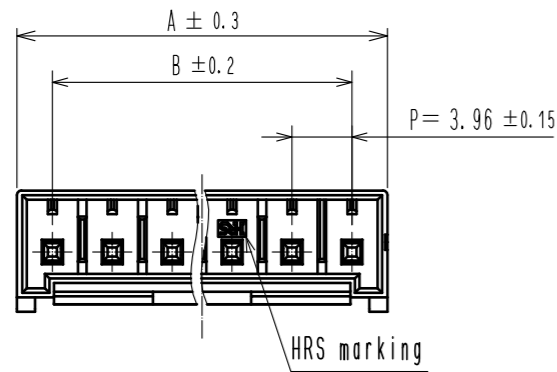
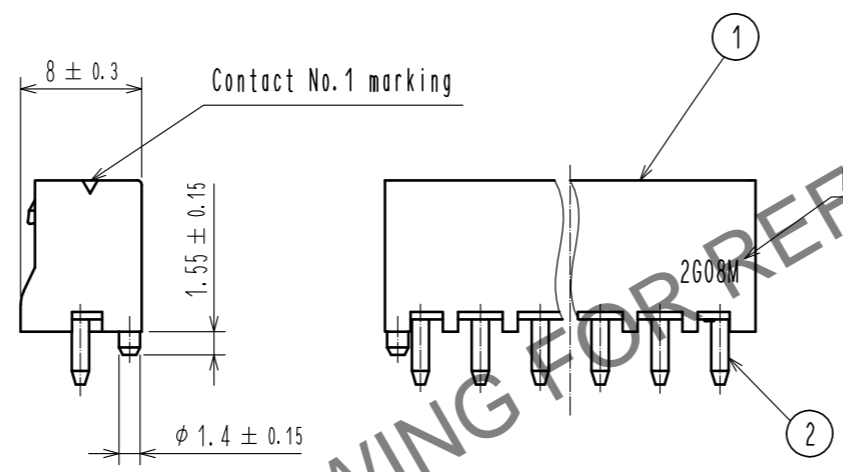
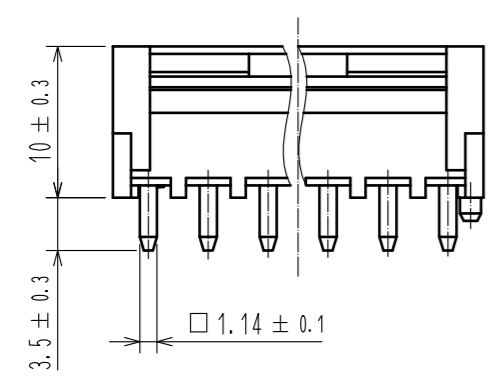
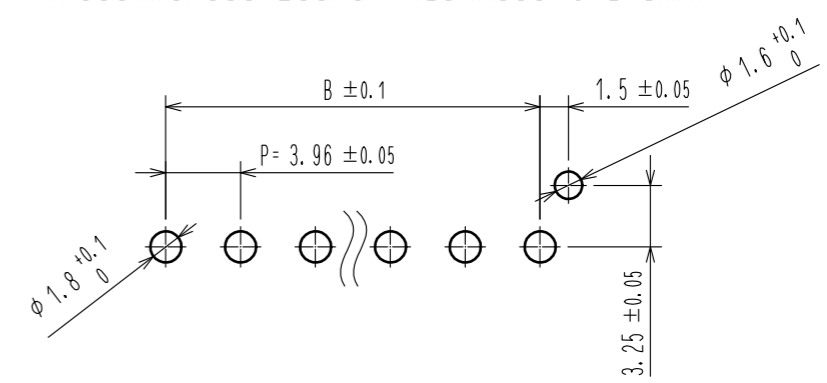


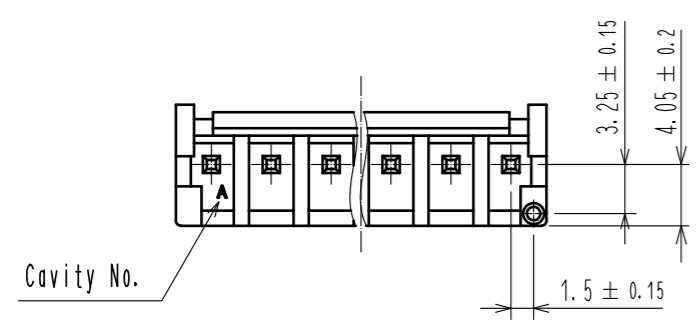
Feb.1.2024 Copyright 2024 HIROSE ELECTRIC CO., LTD. All Rights Reserved.
In case of consideration for using Automotive equipment / device which demand high reliability, kindly contact our sales window correspondents.



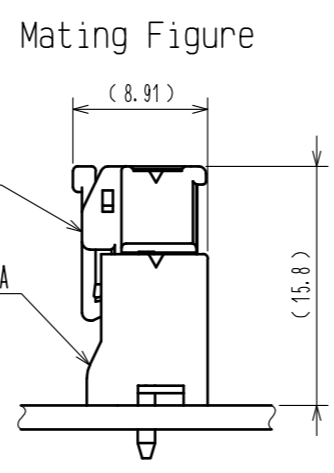
Recommended Pattern (free)
(Recommended Board Thickness t=1.6mm)



| Part Number | HRS No. | Number of Contact | A | B |
|------------------|------------|-------------------|-------|-------|
| DF63M-1P-3.96DSA | 680-0566-0 | 1 | 6.2 | — |
| DF63M-2P-3.96DSA | 680-0567-0 | 2 | 8.66 | 3.96 |
| DF63M-3P-3.96DSA | 680-0568-0 | 3 | 12.62 | 7.92 |
| DF63M-4P-3.96DSA | 680-0569-0 | 4 | 16.58 | 11.88 |



HRS DRAWING FOR REFERENCE



NOTE. 1. Per Pack : 100 Pieces.
2. The dimension in parenthesis are for reference.
3. UL (File No. E52653)
C-UL (File No. E52653)
TUV (Certificate No. R50318850) authorization article.



| | | | | | |
|---------------------------------|----------|------------------|------------------------------|--|--------------------------|
| 1 | PBT | UL94V-0(BLACK) | 2 | Brass | Tin plating 1μm min |
| NO. | MATERIAL | FINISH . REMARKS | NO. | MATERIAL | FINISH . REMARKS |
| UNITS mm | | SCALE 2 : 1 | COUNT 1 | DESCRIPTION OF REVISIONS DIS-H-00004240 | DESIGNED TS. KUMAZAWA |
| APPROVED : HS. OKAWA | | 20170830 | | DESIGNED | DATE |
| CHECKED : TS. FUKUSHIMA | | 20170830 | | CHECKED | 20180925 |
| DESIGNED : HT. SATO | | 20170830 | | DATE | |
| DRAWN : MI. SAKIMURA | | 20170830 | | DATE | |
| DRAWING NO. EDC-378620-00-00 | | | PART NO. DF63M-*P-3.96DSA | | |
| CODE NO. CL680- | | | 1/1 | | |