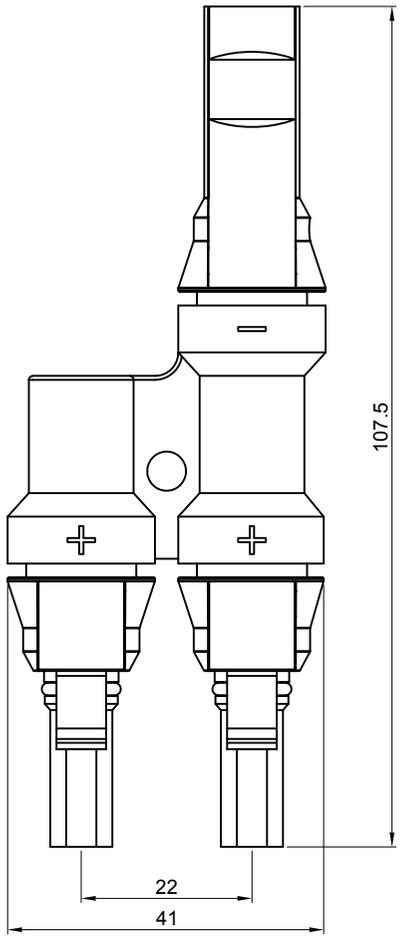
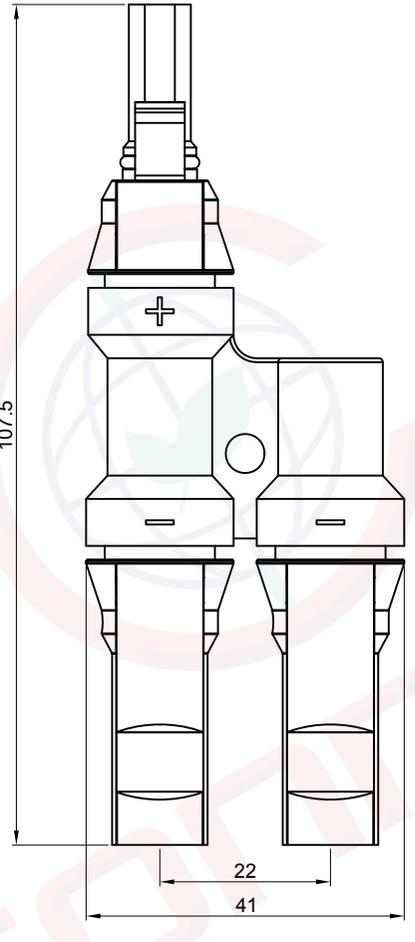


Dept	Qty
DC	1
ED	1
IE	1
ISO	1
PD	1
R&D	1
SD	1
QA	1
QC	1
QF	1

The information provided herein is from CONNELY Electronic Co., Ltd. and is confidential. Any disclosure to a party other than the recipient is prohibited. The intellectual properties and its rights contained herein, including but not limited to, trademarks, patents, copyrights, trade secrets, and technical know-how, are owned exclusively by CONNELY or its affiliates. Unauthorized use or reproduction of any part of this document is strictly prohibited. CONNELY may enforce its intellectual property rights at its own discretion, failures or delays to exercise such rights does not constitute a waiver of such rights.



1M2F



1F2M



(Series Image-Reference Only)

REV.	DESCRIPTION	DRAWN	CHECKED	APPROVED
A	NEW RELEASE	JLZ 05/30/23'		

- Notes:  
Specifications:  
1. Contact Resistance: 0.5mΩ Max.  
2. Insulation Resistance: 1000MΩ Min.  
3. Current Rating:50A.  
4. Voltage Rating:1500V DC.  
5. Degree of protection: IP2X/IP67  
6. Temperature: -40°C~+90°C.

- Materials:  
1. Insulating material: Thermoplastic,Black.  
2. Waterproof Plug: Silicone rubber,Salmon.  
3. Contact material: Copper alloy,Tin plated.

Product Number Code:  
DS1162-14 - X X X X X

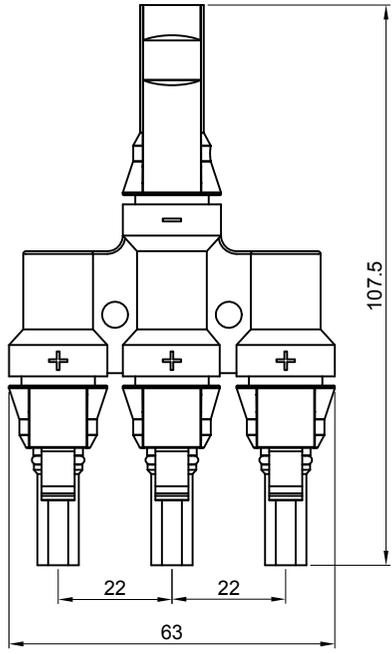
- X — Packing Type  
P: Polybag
- X — Contact plating  
6: Tin
- X — Housing color  
B: Black
- X — Connector type  
A: Adaptor
- X — No. of contacts  
1F2M: 1Female+2Male  
1M2F: 1Male+2Female

GENERAL TOLERANCE		ANGLE TOLERANCE		PROJECTION		TITLE	
X.	±0.60	X.	±5°	UNITS	mm	Solar Branch Connector 1 To 2 Type	
.X	±0.38	.X	±3°	SHEET SIZE	A4	SERIES	DS1162-14 SERIES
.XX	±0.25	.XX	±2°	<b>晨翔电子有限公司</b> <b>CONNFLY CONNELY ELECTRONIC CO. LTD</b>			
DRAWING TYPE		CUSTOMER					
SCALE	1:1	SHEET	1 OF 5				
DRAWING NO.		C-DS1162-14-XXXXX-A					

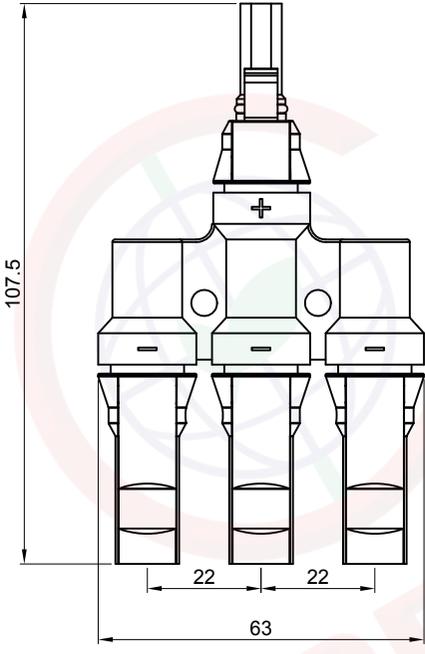
Dept	
Qty	
DC	1
ED	1
IE	1
ISO	1
PD	1
R&D	1
SD	1
QA	1
QC	1
QF	1

The information provided herein is from CONNELY Electronic Co., Ltd. and is confidential. Any disclosure to a party other than the recipient is prohibited. The intellectual properties and its rights contained herein, including but not limited to, trademarks, patents, copyrights, trade secrets, and technical know-how, are owned exclusively by CONNELY or its affiliates. Unauthorized use or reproduction of this information in any form or by any means, including photocopying, recording, or by any information storage and retrieval system, without the prior written permission of CONNELY is strictly prohibited. CONNELY may enforce its intellectual property rights at its own discretion, failures or delays to exercise such rights does not constitute a waiver of such rights.

REV.	DESCRIPTION	DRAWN	CHECKED	APPROVED
A	NEW RELEASE	JLZ 05/30/23'		



1M3F



1F3M



(Series Image-Reference Only)

- Notes:  
Specifications:
- Contact Resistance: 0.5mΩ Max.
  - Insulation Resistance: 1000MΩ Min.
  - Current Rating:50A.
  - Voltage Rating:1500V DC.
  - Degree of protection: IP2X/IP67
  - Temperature: -40°C~+90°C.

- Materials:
- Insulating material: Thermoplastic,Black.
  - Waterproof Plug: Silicone rubber,Salmon.
  - Contact material: Copper alloy,Tin plated.

Product Number Code:

DS1162-14 - X X X X X

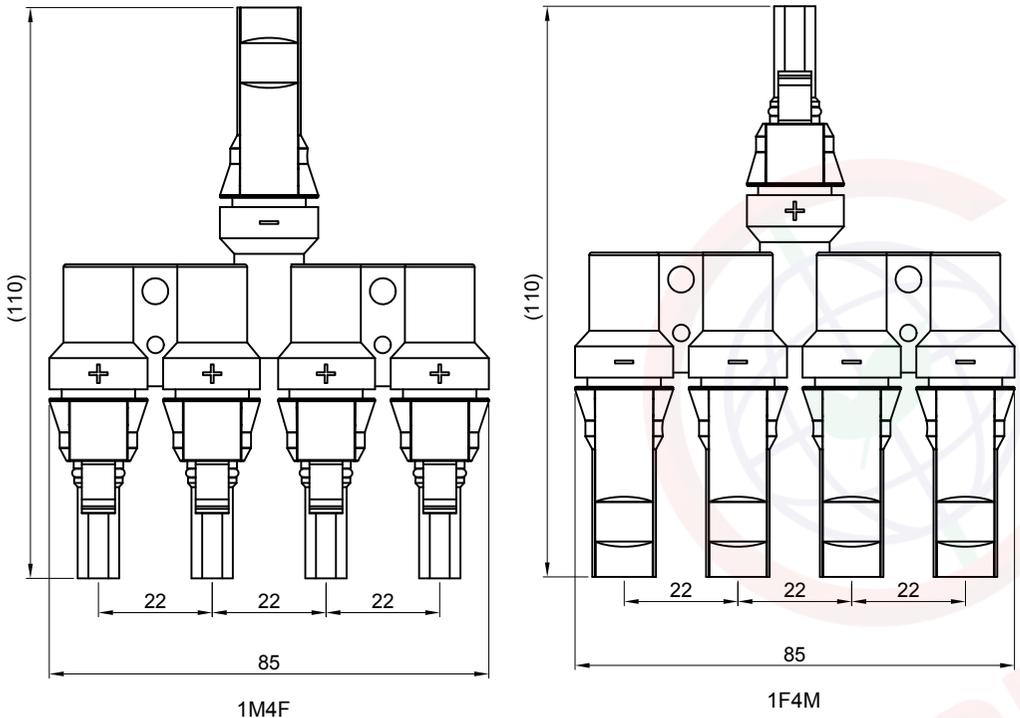
- Packing Type  
P: Polybag
- Contact plating  
6: Tin
- Housing color  
B: Black
- Connector type  
A: Adaptor
- No. of contacts  
1F3M: 1Female+3Male  
1M3F: 1Male+3Female

GENERAL TOLERANCE		ANGLE TOLERANCE		PROJECTION		TITLE	
X.	±0.60	X.	±5°	UNITS	mm	Solar Branch Connector 1 To 3 Type	
.X	±0.38	.X	±3°	SHEET SIZE	A4	SERIES	DS1162-14 SERIES
.XX	±0.25	.XX	±2°	<b>晨翔电子有限公司</b> <b>CONNELY ELECTRONIC CO. LTD</b>			
DRAWING TYPE		CUSTOMER					
SCALE	1:1	SHEET	2 OF 5				
DRAWING NO.		C-DS1162-14-XXXXX-A					

Dept	
Qty	
DC	1
ED	1
IE	1
ISO	1
PD	1
R&D	1
SD	1
QA	1
QC	1
QE	1

The information provided herein is from CONNELY Electronic Co., Ltd. and is confidential. Any disclosure to a party other than the recipient is prohibited. The intellectual properties and its rights contained herein, including but not limited to, trademarks, patents, copyrights, trade secrets, and technical know-how, are owned exclusively by CONNELY or its affiliates. Unauthorized use or reproduction of any part of this document without the prior written consent of CONNELY is strictly prohibited. CONNELY may enforce its intellectual property rights at its own discretion, failures or delays to exercise such rights does not constitute a waiver of such rights.

REV.	DESCRIPTION	DRAWN	CHECKED	APPROVED
A	NEW RELEASE	JLZ 05/30/23'		



Notes:  
 Specifications:  
 1. Contact Resistance: 0.5mΩ Max.  
 2. Insulation Resistance: 1000MΩ Min.  
 3. Current Rating:50A.  
 4. Voltage Rating:1500V DC.  
 5. Degree of protection: IP2X/IP67  
 6. Temperature: -40°C~+90°C.  
 Materials:  
 1. Insulating material: Thermoplastic,Black , UL 94 V-0 or UL 94 HB.  
 2. Waterproof Plug: Silicone rubber,Salmon.  
 3. Contact material: Copper alloy,Tin plated.

Product Number Code:  
 DS1162-14 - X X X X X

- X — Packing Type  
P: Polybag
- X — Contact plating  
6: Tin
- X — Housing color  
B: Black
- X — Connector type  
A: Adaptor
- X — No. of contacts  
1F4M: 1Female+4Male  
1M4F: 1Male+4Female



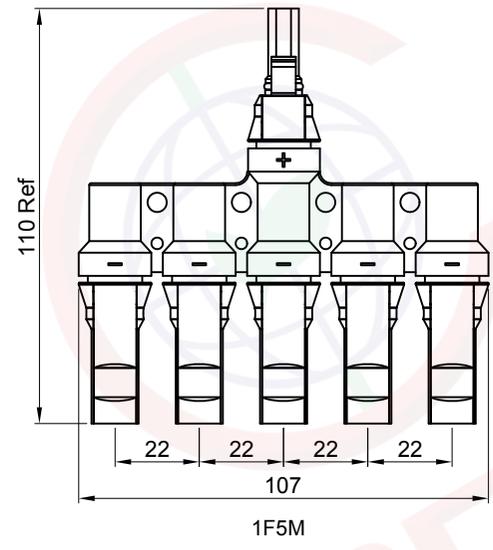
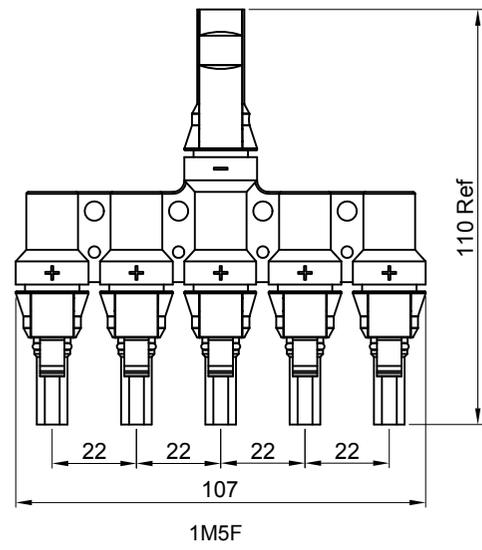
(Series Image-Reference Only)

GENERAL TOLERANCE		ANGLE TOLERANCE		PROJECTION		TITLE	
X.	±0.60	X.	±5°	UNITS	mm	Solar Branch Connector 1 To 4 Type	
.X	±0.38	.X	±3°	SHEET SIZE	A4	SERIES	DS1162-14 SERIES
.XX	±0.25	.XX	±2°	晨翔电子有限公司 CONNELY CONNELY ELECTRONIC CO. LTD			
DRAWING TYPE		CUSTOMER					
SCALE	1:1	SHEET	3 OF 5				
DRAWING NO.		C-DS1162-14-XXXXX-A					

Dept	
Qty	
DC	1
ED	1
IE	1
ISO	1
PD	1
R&D	1
SD	1
QA	1
QC	1
QE	1

REV.	DESCRIPTION	DRAWN	CHECKED	APPROVED
A	NEW RELEASE	JLZ 05/30/23'		

The information provided herein is from CONNELY Electronic Co., Ltd. and is confidential. Any disclosure to a party other than the recipient is prohibited. The intellectual properties and its rights contained herein, including but not limited to, trademarks, patents, copyrights, trade secrets, and technical know-how, are owned exclusively by CONNELY or its affiliates. Unauthorized use or reproduction of any part of this document is strictly prohibited. CONNELY may enforce its intellectual property rights at its own discretion, failures or delays to exercise such rights does not constitute a waiver of such rights.



- Notes:
- Specifications:
- Contact Resistance: 0.5mΩ Max.
  - Insulation Resistance: 1000MΩ Min.
  - Current Rating:50A.
  - Voltage Rating:1500V DC.
  - Degree of protection: IP2X/IP67
  - Temperature: -40°C~+90°C.

- Materials:
- Insulating material: Thermoplastic,Black.
  - Waterproof Plug: Silicone rubber,Salmon.
  - Contact material: Copper alloy,Tin plated.

Product Number Code:

DS1162-14 - X X X X X

- Packing Type  
P: Polybag
- Contact plating  
6: Tin
- Housing color  
B: Black
- Connector type  
A: Adaptor
- No. of contacts  
1F5M: 1Female+5Male  
1M5F: 1Male+5Female



(Series Image-Reference Only)

GENERAL TOLERANCE		ANGLE TOLERANCE		PROJECTION		TITLE	
X.	±0.60	X.	±5°	UNITS	mm	Solar Branch Connector 1 To 5 Type	
.X	±0.38	.X	±3°	SHEET SIZE	A4	SERIES	DS1162-14 SERIES
.XX	±0.25	.XX	±2°	<b>晨翔电子有限公司</b> <b>CONNFLY ELECTRONIC CO. LTD</b>			
DRAWING TYPE		CUSTOMER					
SCALE	1:1	SHEET	4 OF 5				
DRAWING NO.		C-DS1162-14-XXXXX-A					

Dept	Qty
DC	1
ED	1
IE	1
ISO	1
PD	1
R&D	1
SD	1
QA	1
QC	1
QF	1

REV.	DESCRIPTION	DRAWN	CHECKED	APPROVED
A	NEW RELEASE	JLZ 05/30/23'		

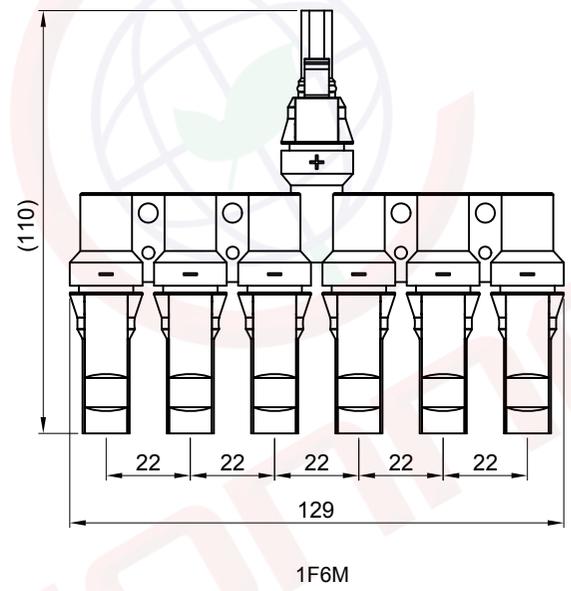
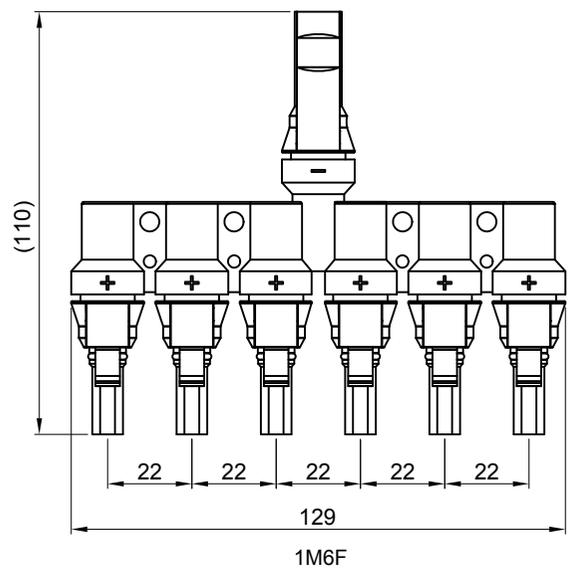
The information provided herein is from CONNELY Electronic Co., Ltd. and is confidential. Any disclosure to a party other than the recipient is prohibited. The intellectual properties and its rights contained herein, including but not limited to, trademarks, patents, copyrights, trade secrets, and technical know-how, are owned exclusively by CONNELY or its affiliates. Unauthorized use or reproduction of any part of this document without the prior written permission of CONNELY may result in legal action. CONNELY may enforce its intellectual property rights at its own discretion, failures or delays to exercise such rights does not constitute a waiver of such rights. Its use in any format or manner. CONNELY may enforce its intellectual property rights at its own discretion, failures or delays to exercise such rights does not constitute a waiver of such rights.

- Notes:  
 Specifications:  
 1. Contact Resistance: 0.5mΩ Max.  
 2. Insulation Resistance: 1000MΩ Min.  
 3. Current Rating:50A.  
 4. Voltage Rating:1500V DC.  
 5. Degree of protection: IP2X/IP67  
 6. Temperature: -40°C~+90°C.

- Materials:  
 1. Insulating material: Thermoplastic,Black.  
 2. Waterproof Plug: Silicone rubber,Salmon.  
 3. Contact material: Copper alloy,Tin plated.

Product Number Code:  
 DS1162-14 - X X X X X

- Packing Type  
P: Polybag
- Contact plating  
6: Tin
- Housing color  
B: Black
- Connector type  
A: Adaptor
- No. of contacts  
1F6M: 1Female+6Male  
1M6F: 1Male+6Female



(Series Image-Reference Only)

GENERAL TOLERANCE		ANGLE TOLERANCE		PROJECTION		TITLE	
X.	±0.60	X.	±5°	UNITS	mm	Solar Branch Connector 1 To 6 Type	
.X	±0.38	.X	±3°	SHEET SIZE	A4	SERIES	DS1162-14 SERIES
.XX	±0.25	.XX	±2°	<b>晨翔电子有限公司</b> <b>CONNFLY CONNELY ELECTRONIC CO. LTD</b>			
DRAWING TYPE		CUSTOMER					
SCALE	1:1	SHEET	5 OF 5				
DRAWING NO.		C-DS1162-14-XXXXX-A					