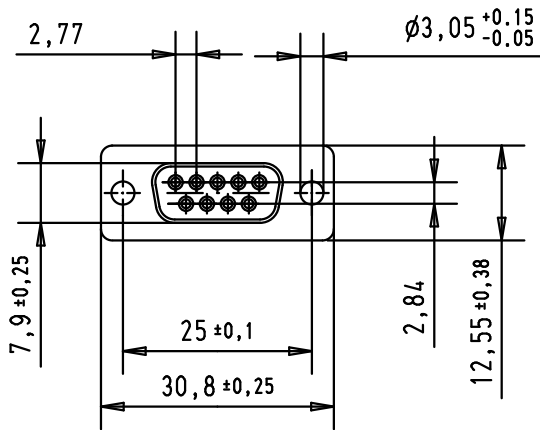
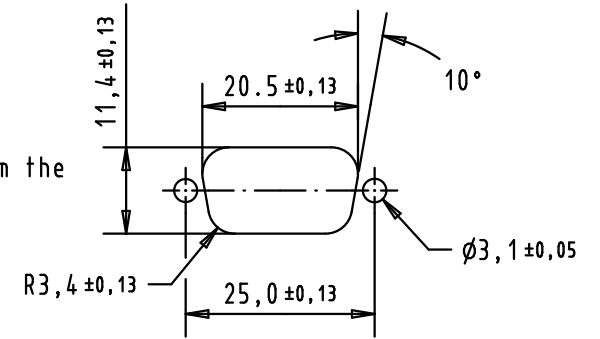


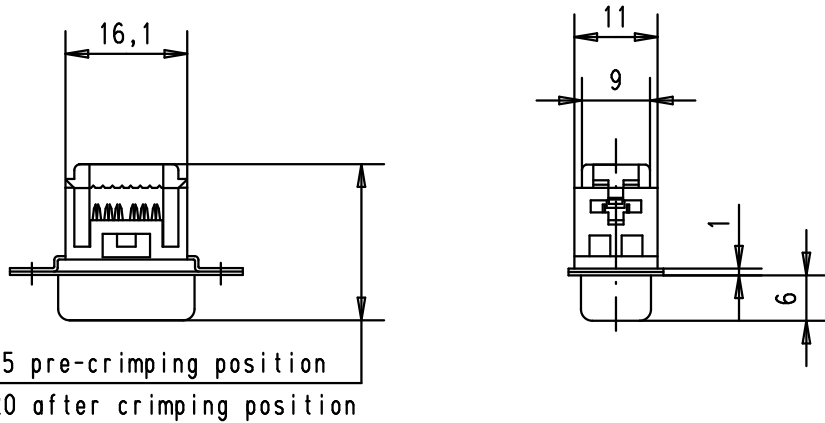
5 4 3 2 1



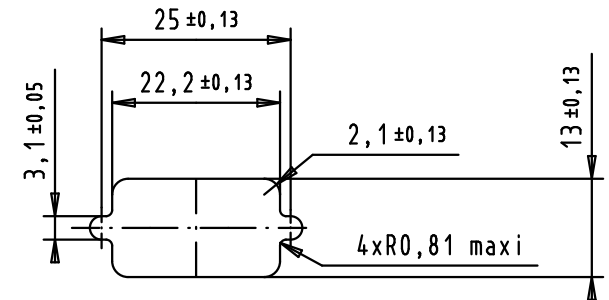
RECOMMENDED PANEL CUTOUT DIMENSIONS FOR REAR MOUNTING



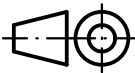

Values are taken from the CECC 75 301-802



RECOMMENDED PANEL CUTOUT DIMENSIONS FOR FRONT MOUNTING



1.27 mm pitch flat cable stranded, wire sizes : AWG 26 to 28

09 66 118 7500	PL3									 All Dim. in mm Orig. Size DIN A 4	D-sub, female, 9 poles, straight, IDC, through holes	Maßstab/ Scale 1 : 1
09 66 118 6500	PL2	EC03837	26-SEP-11	BH	Detail.	09/07/01	S.H.					
			EC01902	20-MAY-10	SC	Insp.	26-SEP-11	JB				
			29771	16-AVR-02	CV	Stand.						
			29756	19-MAR-02	CV							
part number	performance level		29697	09/07/01	S.H.	HARTING EURL F-95972 Paris				TB 0966 118 x500		Blatt/ Page 1 / 1
			Mod.	Dot.	Name					Sub.		