

5

4

3

2

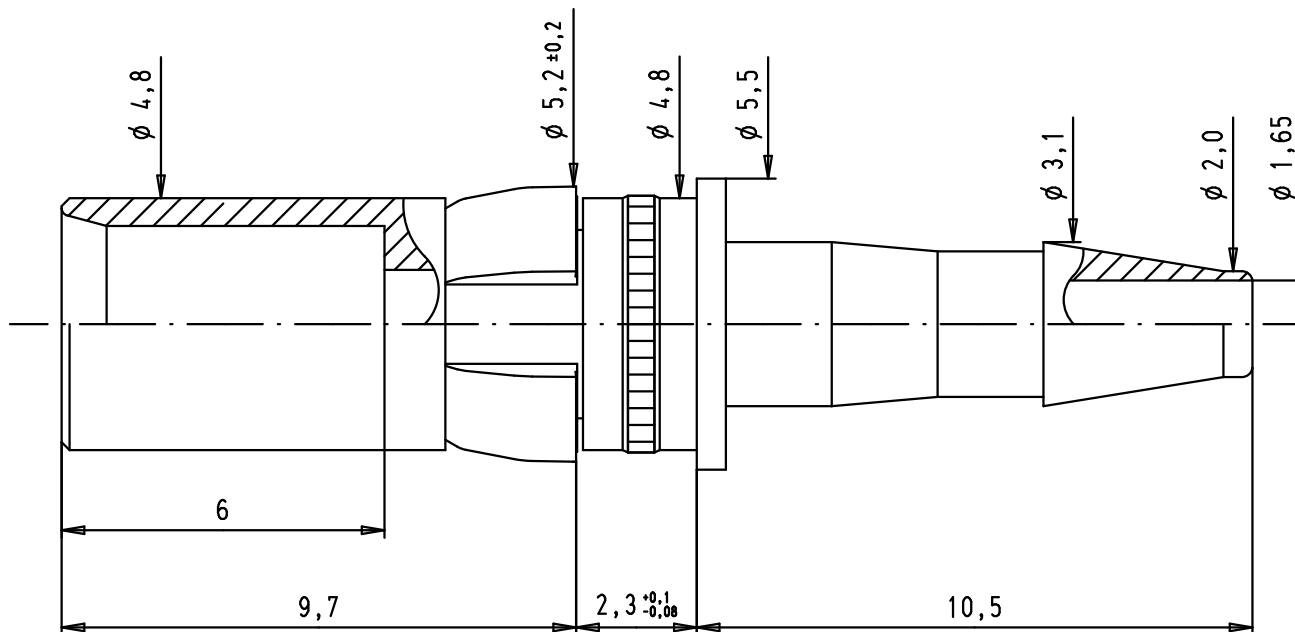
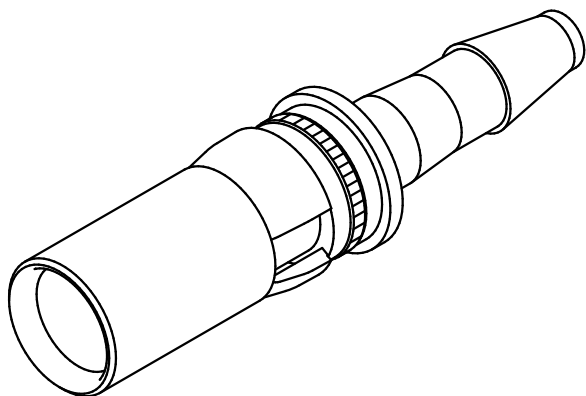
1



D

C

B

A



				Dot.	Name	 All Dim. in mm Orig. Size DIN A 4	Straight female pneumatic contact for 2,6 mm inner diameter compressed air tube	Maßstab/ Scale 7:1
			Detail.	24/04/07	PK			
			Insp.					
			Stand.					
35404	21/11/08	PK	HARTING EURL F-95972 Paris				TB 09 69 187 0061	Blatt/ Page 1 / 1
33985	24/04/07	PK	Mod.	Dot.	Name			