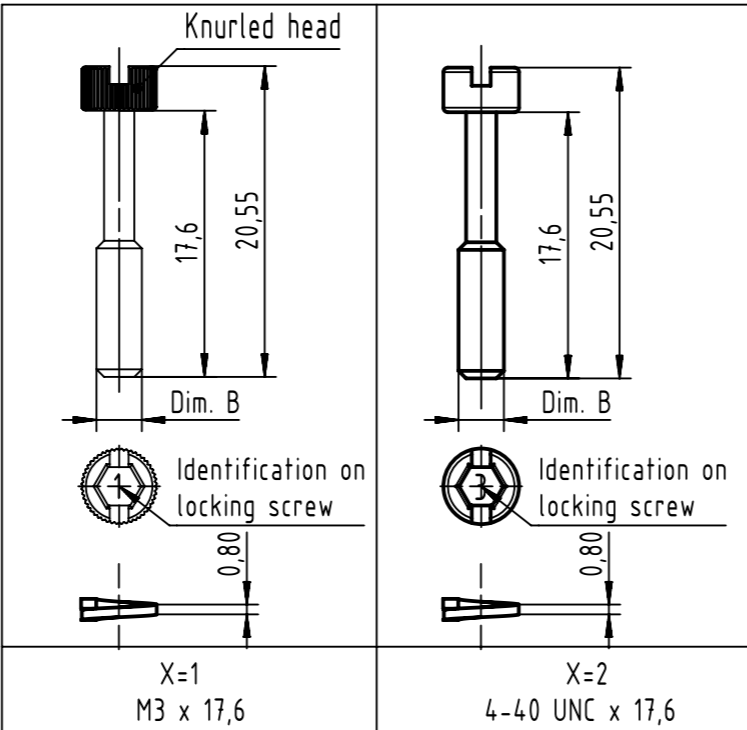
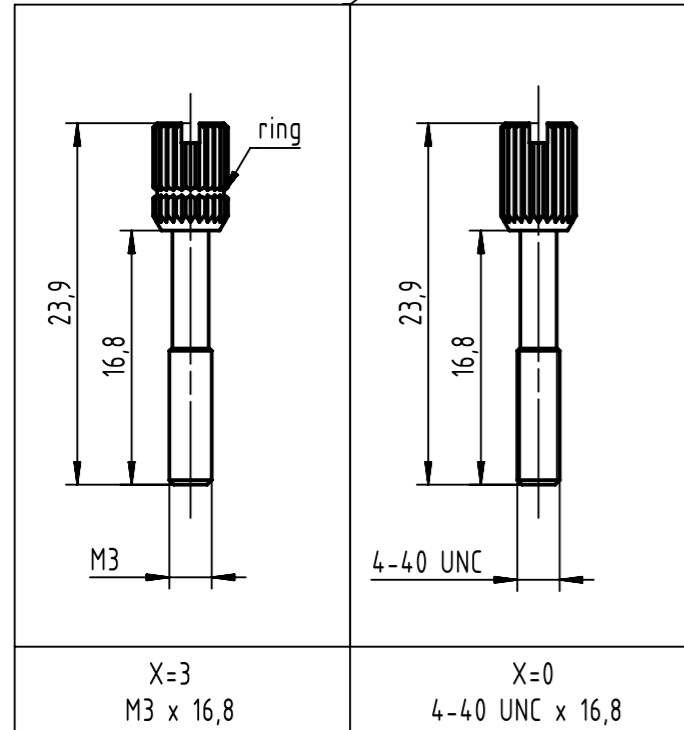


1 For strain relief an additional InduCom cable or a crimp flange and ferrule combination depending on the cable is necessary



Part Number	Dim. B Screw size	Locking screw type	Identification for locking screw	Internal grounding block
6103 001 X014 YYY				
6103 001 0014 160	4-40 UNC	Knurled thumb screw	Without ring	With internal grounding block
6103 001 1014 160	M3	Hexagonal screw with captive washer	1 & Knurled head	
6103 001 2014 160	4-40 UNC	Hexagonal screw with captive washer	3	
6103 001 3014 160	M3	Knurled thumb screw	With ring	Without internal grounding block
6103 001 0014 161	4-40 UNC	Knurled thumb screw	Without ring	
6103 001 1014 161	M3	Hexagonal screw with captive washer	1 & Knurled head	
6103 001 2014 161	4-40 UNC	Hexagonal screw with captive washer	3	Without internal grounding block
6103 001 3014 161	M3	Knurled thumb screw	With ring	

Content InduCom hood			Spare parts (MOQ100)	
Pos.	Quantity	Description	Part Number	Quantity
01	1	metal hood		
02	1	metal cover		
03	2	locking screw (assembled):		
		either knurled thumb screws 4-40 UNC (for 0014)	0967 002 9018	1
		or hexagonal M3 with captive washer (for 1014)	0967 002 9019	1
		or hexagonal 4-40 UNC with captive washer (for 2014)	0967 002 9020	1
		or knurled thumb screws M3 (for 3014)	0967 002 9017	1
04	1	grounding screw (assembled) for version with internal grounding block	0963 002 0007	1
05	3	cover screw M2,5 with philips head (not losable in cover)	0963 002 0006	1

All Dimensions in mm Original Size DIN A3		Scale 2:1	Free size tol.		Ref.
All rights reserved Department EL PD		Created by ZENGO	Inspected by LUOK	Standardisation ROEBEN	Date 2021-12-10
HARTING D-32339 Espelkamp		Title InduCom 15p S40°-entry hexscrew 4-40			State Final Release
		Type TB	Number 6103001X014		Doc-Key / ECM-Nr. 100662222/UGD/002/C 50000207872
					Rev. C
					Page 1/1