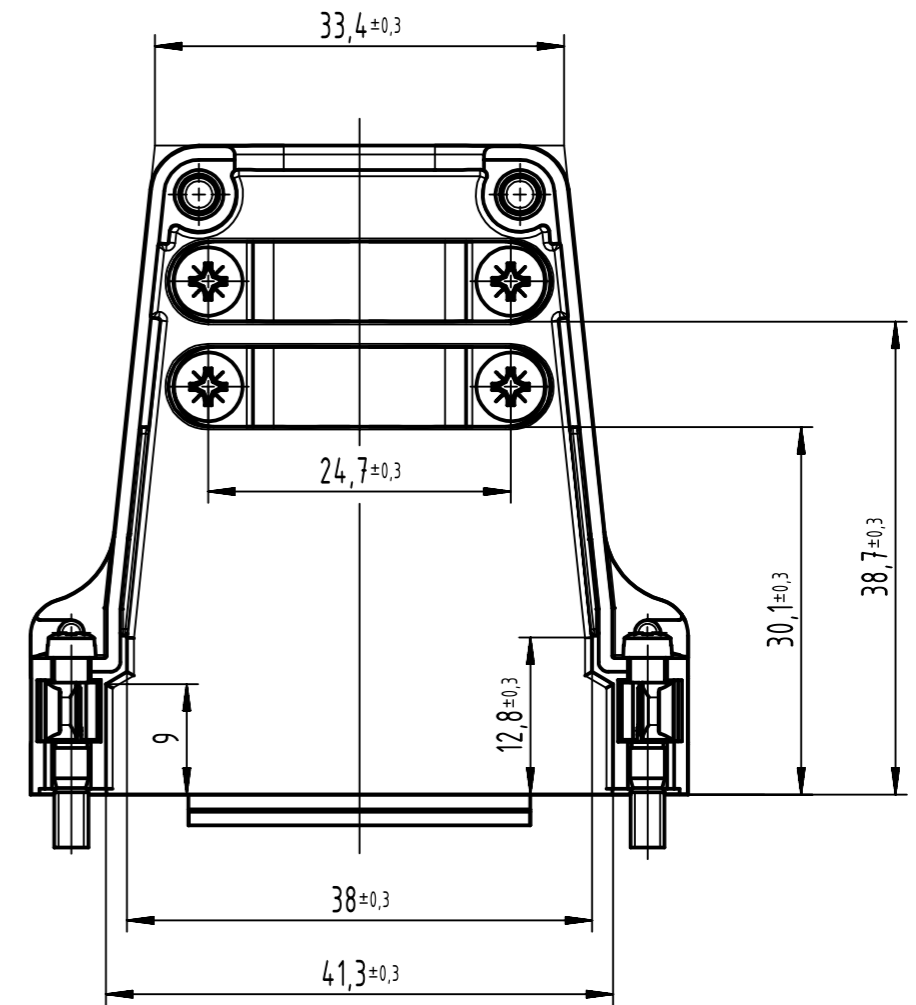
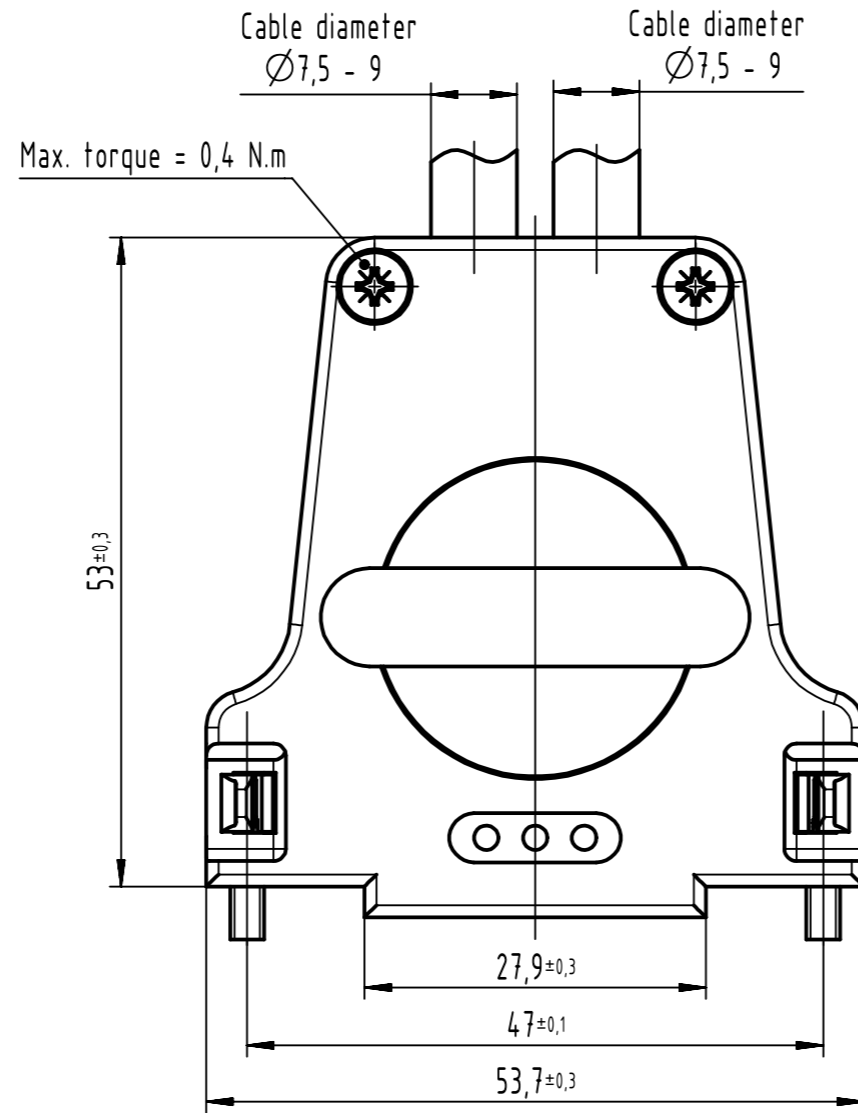
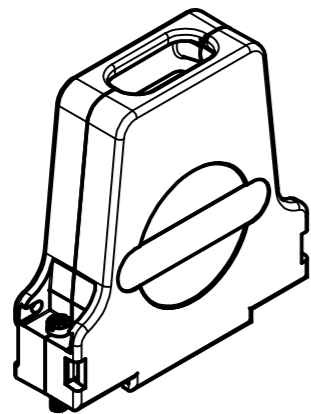
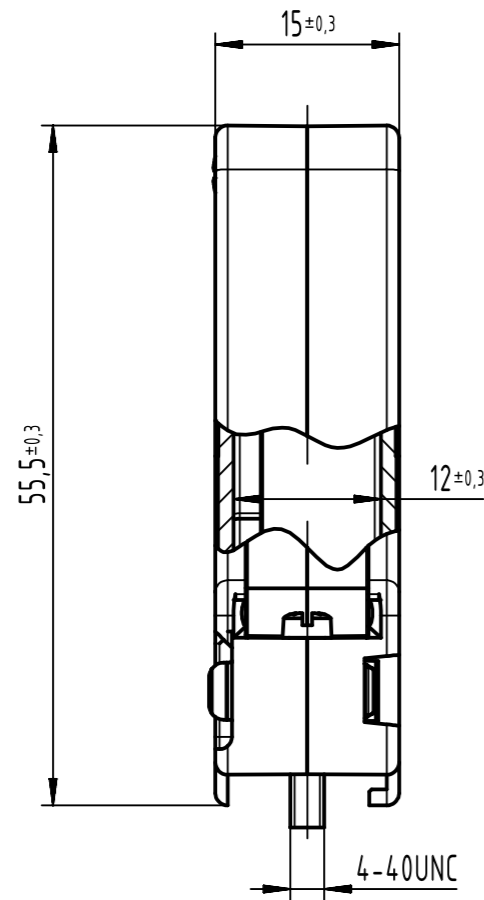


Part number	No. of contacts	kind of packaging(PCS in a box)
0967 025 0354	25	10
0967 025 0354 280	25	100



	All rights reserved	Created by CHENSK	Inspected by LUOK	Standardisation ROEBEN	Date 2021-12-21	State Final Release
	Department EL PD	Title D-Sub hood 25 poles top entry metal			Doc-Key / ECM-Nr. 100988237/UGD/001/A 50000208108	
HARTING D-32339 Espelkamp		Type TB	Number 09670XX0354		Rev. A	Page 1/1