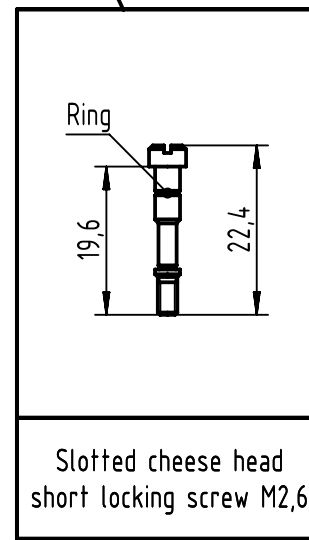
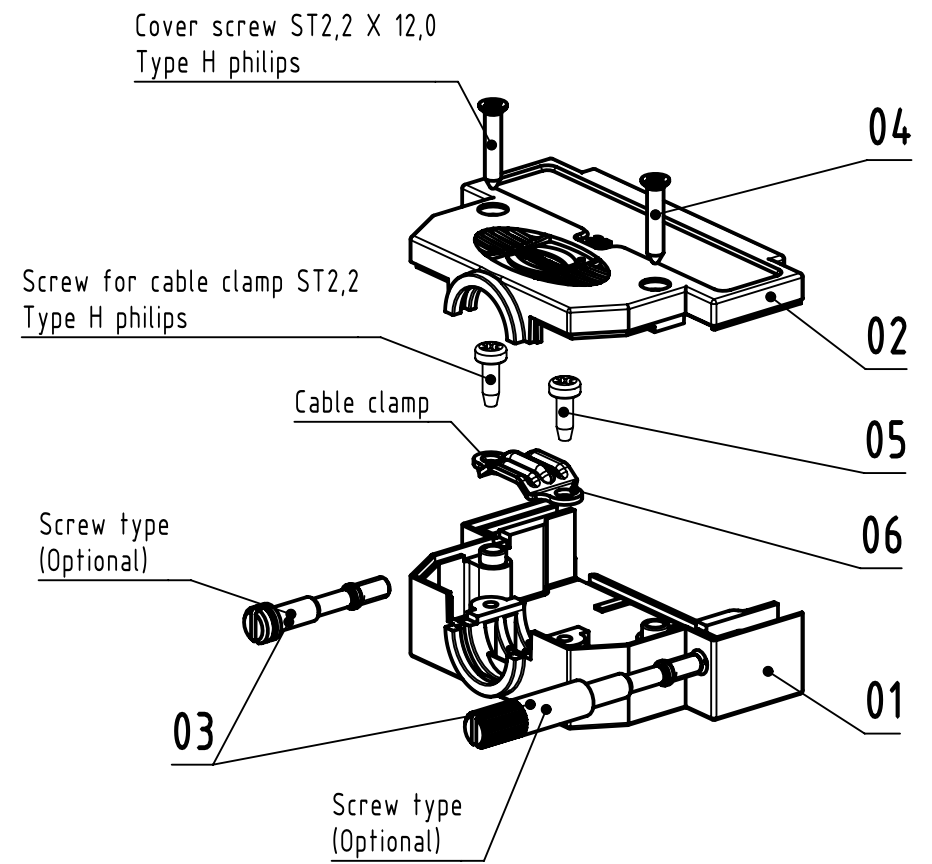


Knurled long locking screw M2,6



Slotted cheese head short locking screw M2,6



Content D-Sub hood			Spare parts (MOQ100)	
Pos.	Quantity	Description	Part Number	Quantity
01	1	Bottom hood		
02	1	Top cover		
03	2	Locking screw:(Preassembled)		
		either slotted cheese head short locking screw M2,6(for 0967 025 0484)		
		or knurled long locking screw M2,6(for 0967 025 0494)		
04	2	Cover screw ST2,2		
05	2	Clamp screw ST2,2	0967 000 9944	1
06	1	Cable clamp	0967 000 9943	1

		All rights reserved Department EL PD		Created by ZENGDO	Inspected by LUOK	Standardisation ROEBEN	Date 2022-01-21	State Final Release
HARTING D-32339 Espelkamp		Title D-Sub metallized hood 25-pole with locking screws			Doc-Key / ECM-Nr. 100847193/UGD/002/B 50000208988		Rev. B	Page 1/1

09 67 025 04X4			
09 67 025 0494	M2,6	Long locking screw	With ring
09 67 025 0484	M2,6	Short locking screw	With ring
Part number	Screw size	Screw type	Identification for locking screw