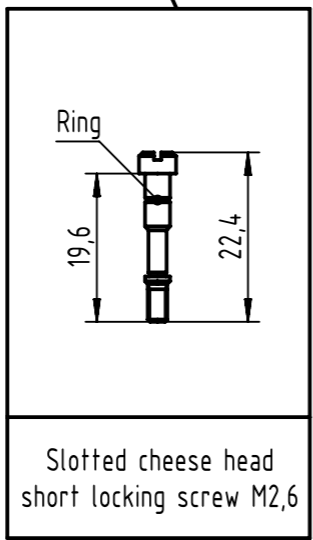
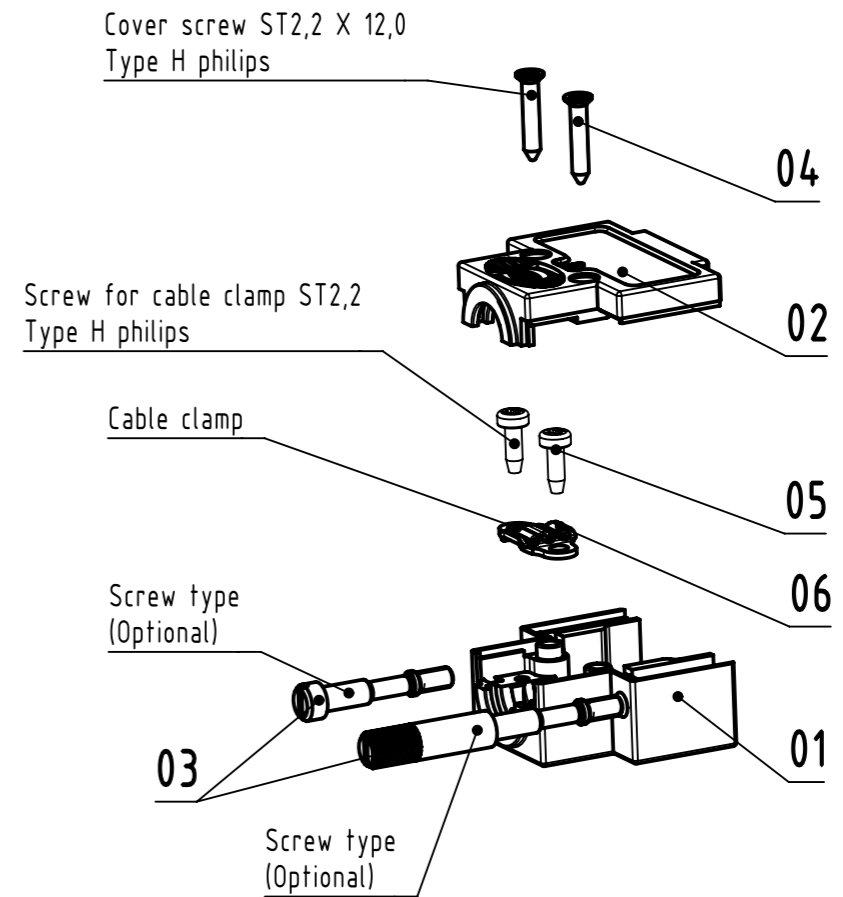


Knurled long locking screw M2,6



Slotted cheese head short locking screw M2,6



Cover screw ST2,2 X 12,0  
Type H philips

Screw for cable clamp ST2,2  
Type H philips

Cable clamp

Screw type  
(Optional)

Screw type  
(Optional)

|                |            |                     |                                  |
|----------------|------------|---------------------|----------------------------------|
| 09 67 009 04X4 |            |                     |                                  |
| 09 67 009 0494 | M2,6       | Long locking screw  | With ring                        |
| 09 67 009 0484 | M2,6       | Short locking screw | With ring                        |
| Part number    | Screw size | Screw type          | Identification for locking screw |

| Content D-Sub hood |          |  | Spare parts (MOQ100) |          |
|--------------------|----------|--|----------------------|----------|
| Pos.               | Quantity | Description  | Part Number          | Quantity |
| 01                 | 1        | Bottom hood  |                      |          |
| 02                 | 1        | Top cover  |                      |          |
| 03                 | 2        | Locking screw:(Preassembled)   |                      |          |
|                    |          | either slotted cheese head short locking screw M2,6(for 0967 009 0484) |                      |          |
|                    |          | or knurled long locking screw M2,6(for 0967 009 0494)                  |                      |          |
| 04                 | 2        | Cover screw ST2,2  |                      |          |
| 05                 | 2        | Clamp screw ST2,2  | 0967 000 9944        | 1        |
| 06                 | 1        | Cable clamp  | 0967 000 9942        | 1        |

|                              |   |  |                       |                           |                    |                        |
|------------------------------|---|--|-----------------------|---------------------------|--------------------|------------------------|
|                              | All rights reserved<br>Department EL PD | Created by<br>ZENGDO   | Inspected by<br>LUOK  | Standardisation<br>ROEBEN | Date<br>2022-01-21 | State<br>Final Release |
|                              |   | Title<br><b>D-Sub metallized hood 9-pole with locking screws</b> |                       |                           |                    |                        |
| HARTING<br>D-32339 Espelkamp |   | Type<br>TB   | Number<br>096700904X4 |                           | Rev.<br>B          | Page<br>1/1            |