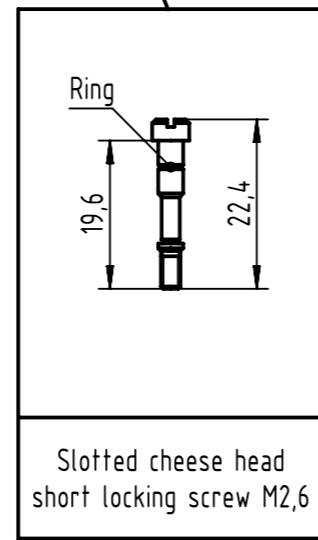
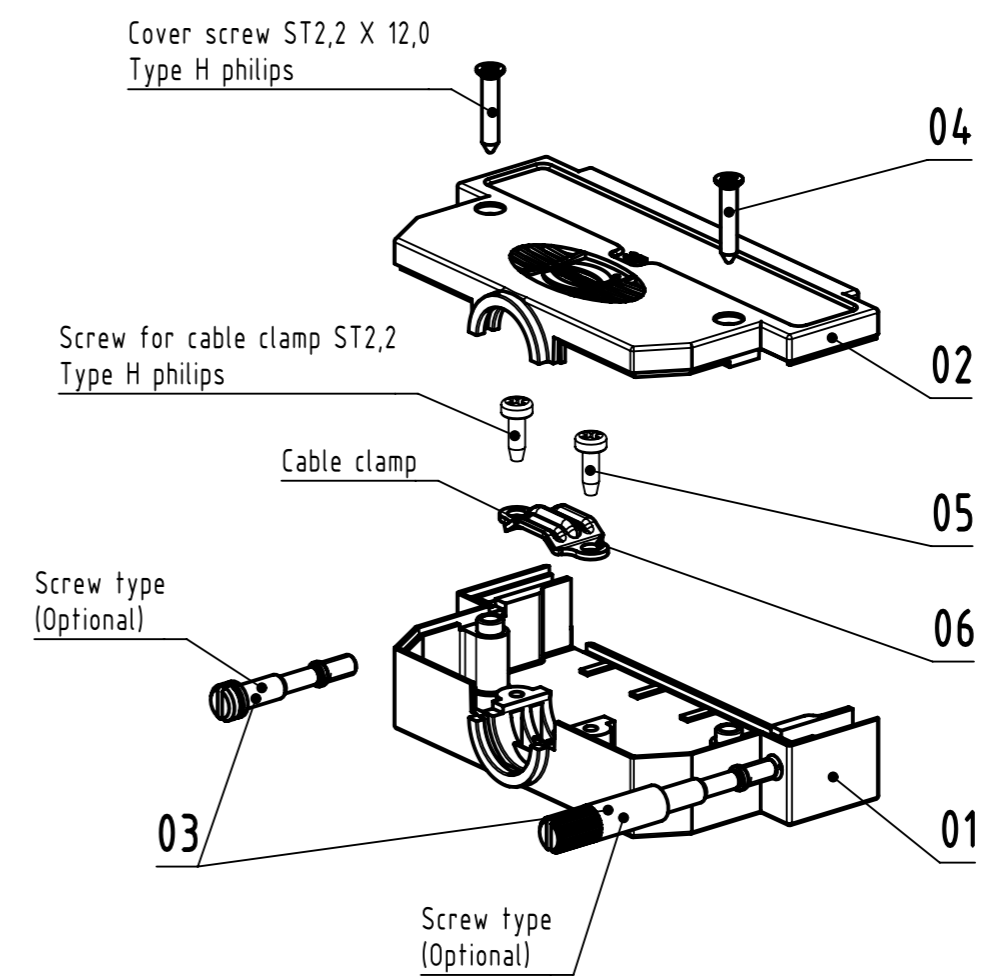


Knurled long locking screw M2,6



Slotted cheese head short locking screw M2,6



Content D-Sub hood			Spare parts (MOQ100)	
Pos.	Quantity	Description	Part Number	Quantity
01	1	Bottom hood		
02	1	Top cover		
03	2	Locking screw:(Preassembled)		
		either slotted cheese head short locking screw M2,6(for 0967 037 0484)		
		or knurled long locking screw M2,6(for 0967 037 0494)		
04	2	Cover screw ST2,2		
05	2	Clamp screw ST2,2	0967 000 9944	1
06	1	Cable clamp	0967 000 9943	1

09 67 037 04X4			
09 67 037 0494	M2,6	Long locking screw	With ring
09 67 037 0484	M2,6	Short locking screw	With ring
Part number	Screw size	Screw type	Identification for locking screw

All rights reserved  
 Department EL PD  
 HARTING  
 D-32339 Espelkamp

All Dimensions in mm  
 Original Size DIN A3  
 Scale 1:1  
 Free size tol.  
 Created by ZENGDO  
 Inspected by LUOK  
 Standardisation ROEBEN  
 Date 2022-01-21  
 State Final Release

Title: D-Sub metallized hood 37-pole with locking screws  
 Type TB  
 Number 096703704X4  
 Ref. Sub.  
 Doc-Key / ECM-Nr. 100847202/UGD/002/B 50000208988  
 Rev. B  
 Page 1/1