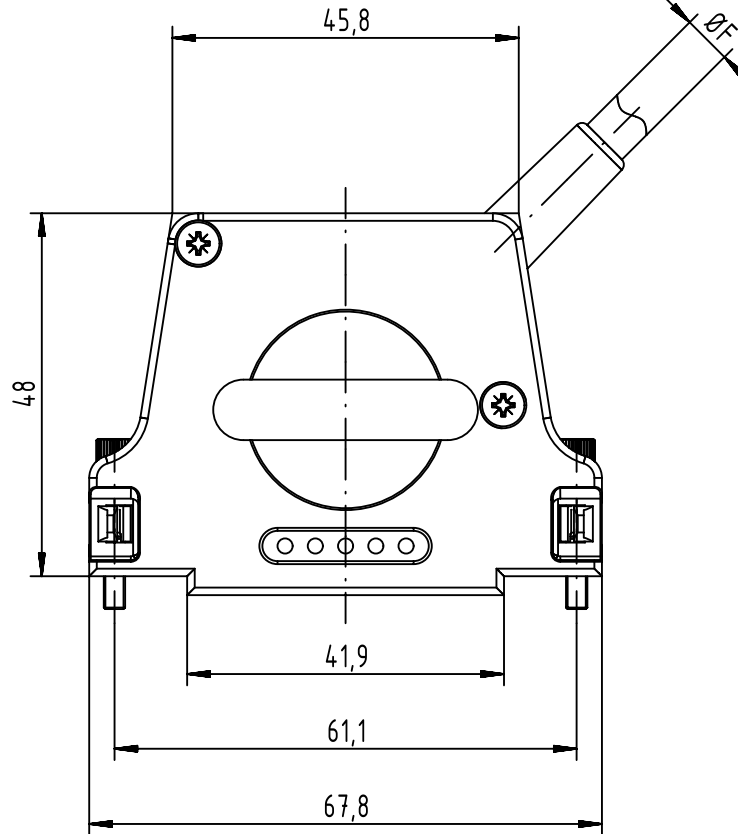
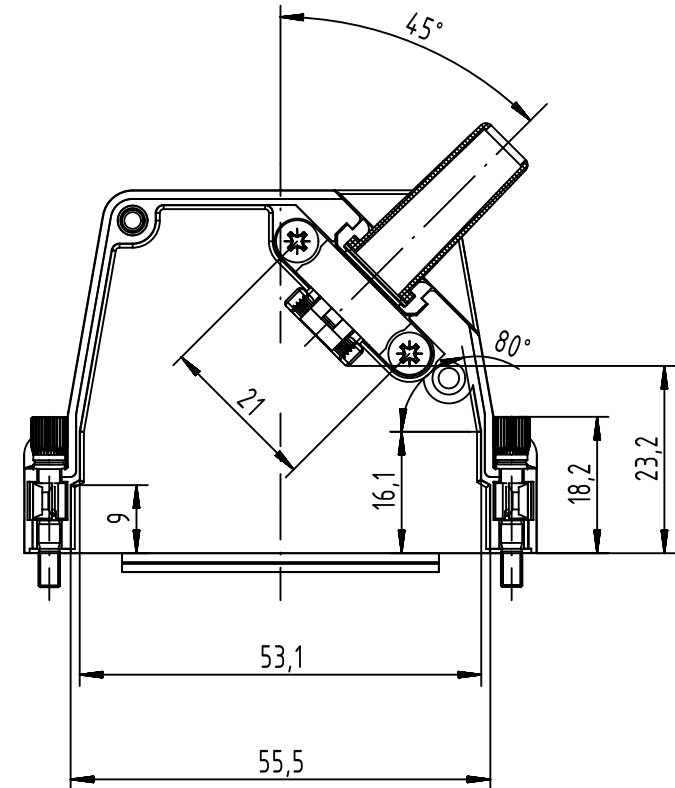


HEX/Allen screw



view of the hood without lid




Cable diameter without rubber bushing:
 ØF min: 3 mm
 ØF max: 12 mm

Cable diameter with rubber bushing:
 ØF max: 9,7 mm

Cable diameter without reduction plate:
 ØF max: 15 mm

09670500338	4-40 UNC-2A
Part number	Screw thread

	All rights reserved Department EC PD - FR	All Dimensions in mm Original Size DIN A4		Scale	Free size tol.	Ref.
		Created by	Inspected by	Standardisation	Date	State
HARTING Electronics GmbH D-32339 Espelkamp		DOUGE	BAGDIKIAN	HOFFMANN	2014-02-06	Final Release
Title D-Sub 50-poles metal hood side entry					Doc-Key / ECM-Nr. 100566453/UGD/001/A 500000070497	
Type	Number	Rev. A			Page	1/1
TB	09670500338					