

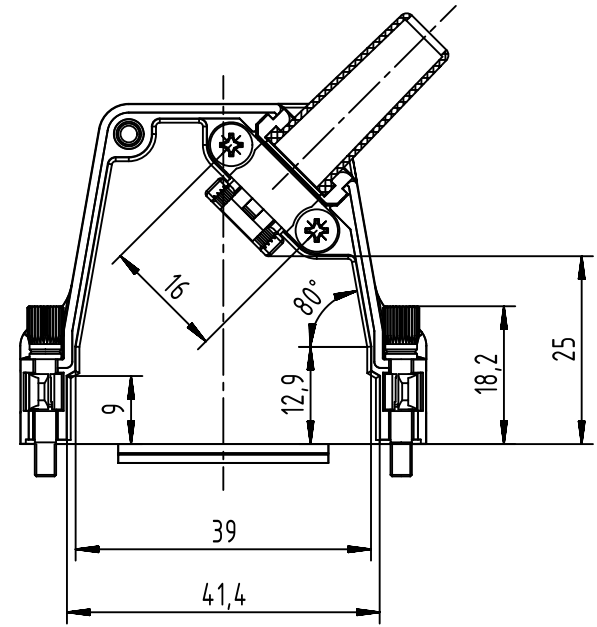
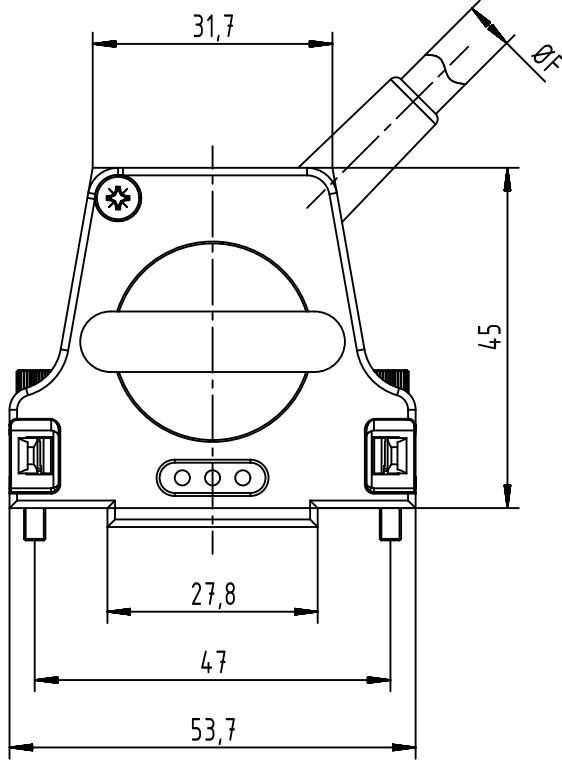
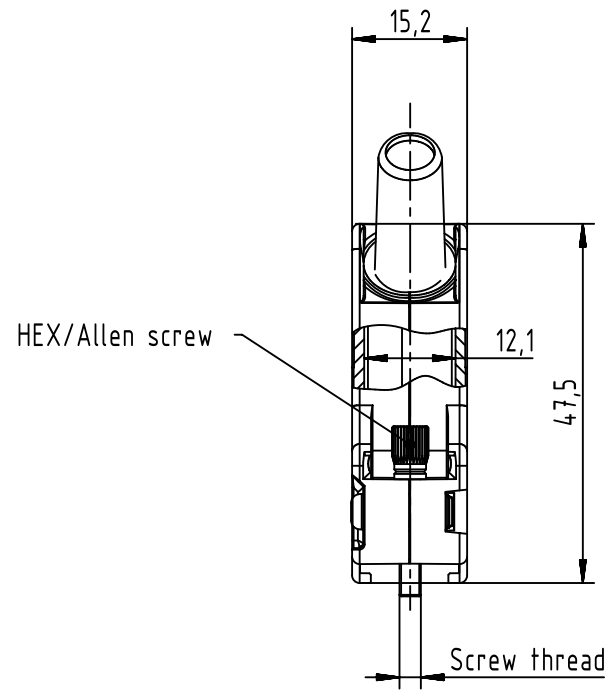
A

B

C

D

view of the hood without lid



Cable diameter without rubber bushing:  
 ØF min: 3 mm  
 ØF max: 8.5 mm

Cable diameter with rubber bushing:  
 ØF max: 8 mm

Cable diameter without reduction plate:  
 ØF max: 12,5 mm

09670250338	4-40 UNC-2A
Part number	Screw thread

	All rights reserved Department EC PD - FR	All Dimensions in mm Original Size DIN A4		Scale 1:1	Free size tol.	Ref. Sub.	
		Created by DOUGE	Inspected by BAGDIKIAN	Standardisation HOFFMANN	Date 2014-02-06	State Final Release	
HARTING Electronics GmbH D-32339 Espelkamp		Title D-Sub 25-poles metal hood side entry				Doc-Key / ECM-Nr. 100566250/UGD/001/B 500000070497	
		Type TB	Number 09670250338			Rev. B	Page 1/1