

1 2 3 4 5 6

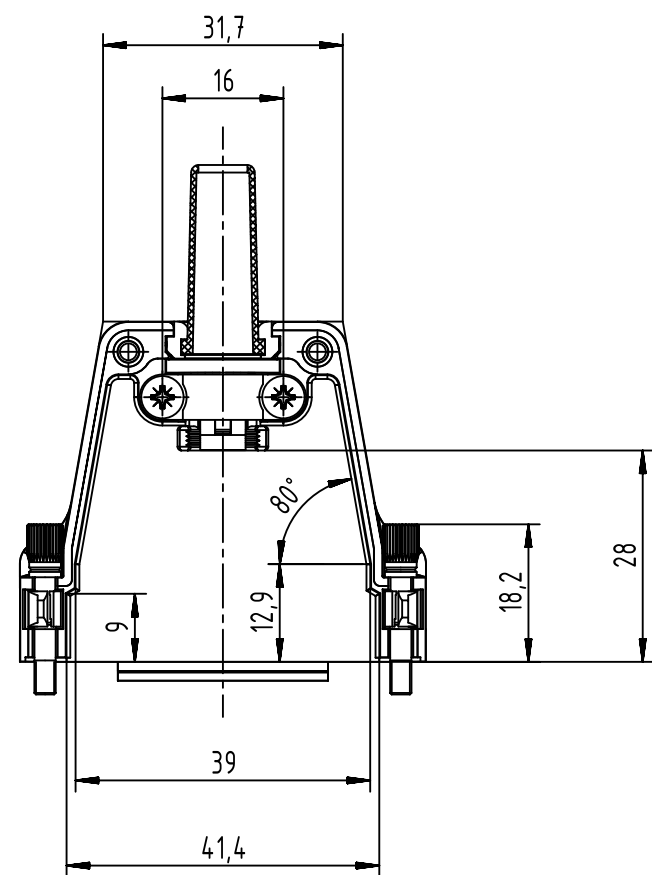
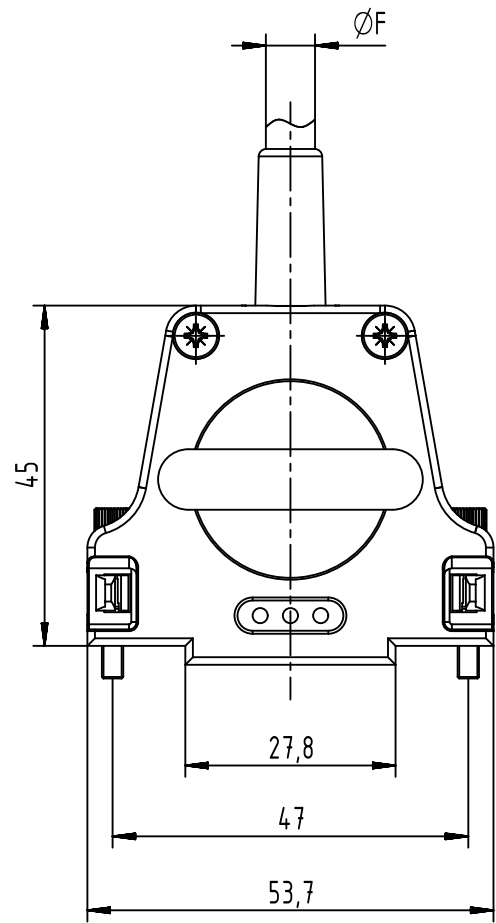
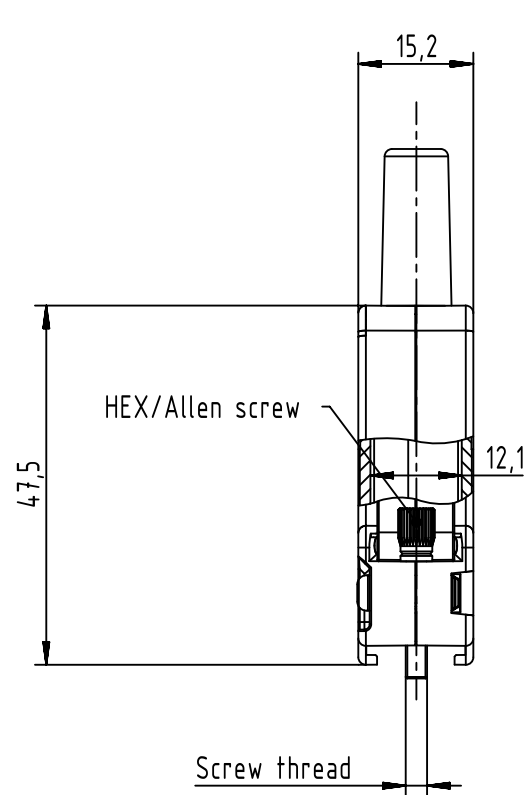
A

B

C

D

view of the hood without lid




Cable diameter without rubber bushing:  
 $\varnothing F$  min: 3 mm  
 $\varnothing F$  max: 8.5 mm

Cable diameter with rubber bushing:  
 $\varnothing F$  max: 8 mm

Cable diameter without reduction plate:  
 $\varnothing F$  max: 12,5 mm

09670250321	M3
Part number	Screw thread

	All Dimensions in mm Original Size DIN A4	Scale	Free size tol.		Ref.
		1:1			Sub.
All rights reserved Department EC PD - FR	Created by DOUGE	Inspected by	Standardisation	Date	State
		BAGDIKIAN	HOFFMANN	2014-02-14	Final Release
HARTING Electronics GmbH D-32339 Espelkamp		Title D-Sub 25-poles metal hood top entry			Doc-Key / ECM-Nr. 100567707/UGD/001/A 500000071307
		Type	Number	Rev.	Page
		TB	09670250321	A	1/1