

产品规格书 SPECIFICATION

产品名称 (DESCRIPTION) : 摄像头模组 (Camera Module)

产品型号 (PRODUCT MODEL) : SAT-1336-3838-PC-NL-090YZ65

产品编码 (PRODUCT NO.) : _____

送样日期 (SAMPLE DATE) : 2023.09.04

拟制	审核	批准
PREPARED BY	CHECKED BY	APPROVED BY
Amo		

客户承认	签名	日期
CUSTOMER	SIGNATURE	DATE
APPROVAL		

目录

目录.....	2
1. 模组规格 Mode Specifications.....	3
2. 镜头规格 Lens Specifications.....	4
3. 模组可靠性 Reliability.....	5
4. 包装方式.....	5
5. 质保期限 Warranty Period.....	6
6. 操作注意事项 Handling Precaution.....	6
7. 样品承认说明 Sample Acknowledgement.....	6
8. HSF 符合性说明 Compliance.....	6
9. 电源配线定义（如下图）(power line wiring definition).....	6
10. 工程图.....	7

1. 模组规格 Mode Specifications

项目 Item	规格 Specifications			备注 Remark
图像感应器 Sensor Chip Type	SC1336			
感应器类型 Sensor Type	CMOS			
ISP 芯片 ISP Chip	XM330V			
像面尺寸 Image format	1/3"			
像素 Pixel	720*480			
像素大小 Pixel Size	5.6um*5.6um			
视频帧率 Video Frame rate	PAL	CVBS	50fps	
	NTSC	CVBS	60fps	
	PAL	AHD	25fps	
	NTSC	AHD	30fps	
最大信噪比 Max SNR	43db			
白平衡 White Banlance	Luminance/Exposure gain			
视频输出 Video Output	1.0 Vpp			
视频模式 Video Mode	CVBS /AHD			
视频制式 Video System	NTSC			
LED 波长 Peakwavelength	$\lambda_p=650nm$			/
工作电压 Working Voltage	DC 8V~18V			
功耗 Power Consumption	0.8W			TYP
外形尺寸 Outline Dimension	38mm*38mm*1.6mm			
工作温度 Working Temperature	-30°C ~+70°C			
贮存温度范围 Storage Temperature Range	-30°C ~+80°C			

2. 镜头规格 Lens Specifications

南阳瞳鑫达光电有限公司

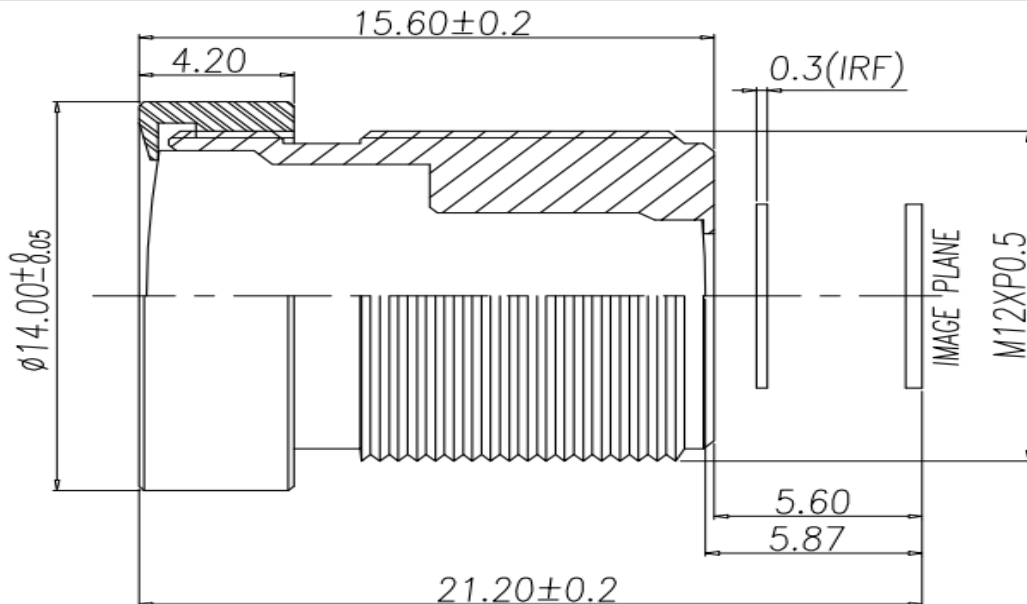
镜头参数 (Parameter of Lens)

型号 (Model) :

DS-3MP-650



分辨率 (Resolution)	2.0 Megapixel	
像面尺寸 (Image format)	1/3"	
焦距 (Focal length)	2.8mm	
通光孔径 (Aperture)	F2.2	
接口 (Mount)	M12	
视场角 (Field Angle) D×H×V(°)	°	1/3"
	D	118
	H	95
	V	73
最近物距 (M. O. D.)	0.3m	
外形尺寸 (Dimension)	Φ14×15.85mm	
重量 (Weight)	4g	
法兰后焦距 (Flange BFL)	/	
光学后焦距 (BFL)	5.87mm	
机械后焦距 (MBF)	5.60mm	
日夜共焦 (IR Correction)	650	
操作方法	光圈 (Iris)	固定光圈 (FIX)
工作温度 (Operating temperature)	-20℃~+80℃	



尺寸公差 Size tolerance (mm) :	0-10±0.05	10-30±0.10	30-120±0.20
角度公差 Angle tolerance	±2°		

3.

4. 模组可靠性 Reliability

项目 Item	描述 Description		备注 Remark
恒温恒湿贮存试验 High Temperate and Humidity Storage	50°C 95%RH 48H		
高温贮存试验 High Temperate Storage Test	70°C 120H		
低温贮存试验 Low Temperate Storage Test	-30°C 120H		
高温功能试验 High Temperate	70°C 8H		
低温功能试验 Low Temperate Function Test	-20°C 8H		
高低温循环功能试验 High and Low Temperate cycle Test	-30°C 30mins > 25°C 10mins> 70°C 30mins > 25°C10mins>		10Cycles
振动试验 Vibration Test	Products along different axis of vibration 10 times		
ESD 测试 ESD Test	空气放电 Air Discharge	±8KV	
	接触放电 Contact Discharge	±4KV	
包装跌落 Drop Test for Packaging	一角三棱六面, 高度 0.8 米 Drops on one corner, three edges, and six sides; Drop height: 0.8m;		1 箱 1 carton

冷启动: 在高、低温环境中贮存 1 小时以后, 对产品进行上电启动。

startup: after 1 hour storage in high and low temperature environment, power on and start the product.

5. 包装方式 Packing Method



将摄像头模组放入防静电托盘格子中

Put the camera module into the anti-static tray

6. 质保期限 Warranty Period

自出货之日起 1 年内发现的不良（建议储存条件：温度 10~30 度，湿度 45%~75%），可以安排修理或换货。如果此质保期有另签协议以协议为准；

warrants that the products will be free from defects for a period of twelve (12) months from the date of shipment when used under the specified storage and utilization conditions of this specification(Storing in an ambient temperature 10° C to 30° C, and in a relative humidity of 45% to 75%. Don’ t expose to sunlight or fluorescent light). Defective products of SAT’ s making, once proved, will be either repaired or replaced. If there is another agreement signed during the warranty period, the agreement shall prevail;

7. 操作注意事项 Handling Precaution

6.1 镜头有污沾时，请以柔质绵布或沾有酒精的布料轻拭

If the lens is stained, please wipe it lightly with soft cotton cloth or cloth stained with alcohol

6.2 请避免将产品靠近或暴露于有机溶剂，酸性气体的环境下使用及存放

Keep away from organic solvent or acidic environment.

6.3 装配作业时请带好静电环

Please wear the electrostatic ring when assembling.

6.4 注意模组的连接方式，避免模组损坏

Pay attention to the connection mode of module to avoid module damage.

8. 样品承认说明 Sample Acknowledgement

7.1 我司产品可以承诺做到产品规格书规格，但是不代表客户需要项目均已完整测试；部分项目需要客户做认 证测试，包括且不限于以下相关项目：产品尺寸与客户整机结构的搭配、产品双面胶（如有）和客户整机结构 粘结、产品嵌入式软件和客户产品的匹配等等

Our product shall be consistent with the specification, but it does not mean all the items required by the customer have been tested by us; Partial items need to be verified by the customer including but not limited to the matching of the structure, the double sided adhesive tape (if any) and the embedded software between our product and the customer’ s complete application.

7.2 客户批准产品规格书，表示客户已经完整测试触摸屏样品和书面批准我司产品可以量产

The approval for the specification shall mean the customer has finished all the tests for the Touch Panel samples and Mass Production is allowed in written.

7.3 客户如有变更涉及我司产品，请注意重新测试评估，并且按需要通知我司，根据实际情况更新规格书

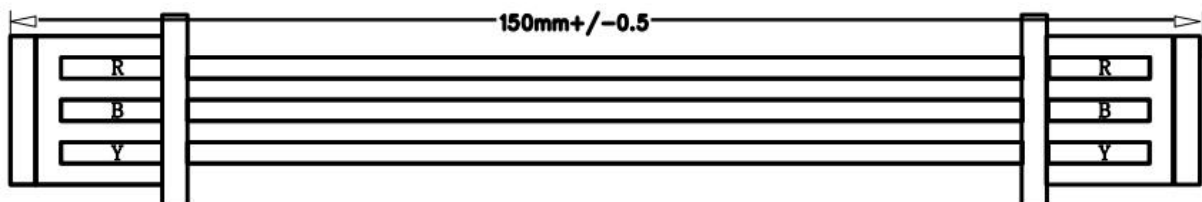
If there is any change at the customer’ s side involved to our product, retest for the product shall be required. We have to be informed of this change and will update the specification if necessary.

9. HSF 符合性说明 Compliance

产品符合 ROHS EU 2015/863、REACH 1907/2006/EC 要求，包材符合 94-62-EC 指令要求

products complies with ROHS EU 2015/863、REACH 1907/2006/EC requirements, and the packaging complies with 94-62-EC.

10. 电源配线定义（如下图）(power line wiring definition)



11. 工程图 Engineering Drawing

版本	变更记录	变更日期	变更人
A1	首次发行		

TOP VIEW	
	BOT VIEW

Side VIEW	

主要规格 Main Specification	
感应器像素 (Pixel)	720*480
感光芯片 (Chip Type)	SC1336
焦距 (Focal Length)	3.6mm±5%
通光孔径 (Aperture)	F2.2
接口 (Mount)	M12*0.5
景深 (Focusing Range)	0.3m---∞
像场角 (Field of View Angle)	D=90° H=72° V=53°
畸变 (TV Distortion)	<15%

Guangdong SAT Intelligent Display Control Co., Ltd	
产品名称 Part Name	摄像头模组 Camera Module
产品型号 Part Number	SAT-1336-3838-PC-NL-090YZ65
版本 REV	V1
单位 Unit	mm
审核 Reviewed	批准 Approved
拟制 Prepared	