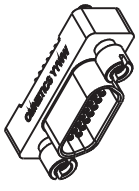
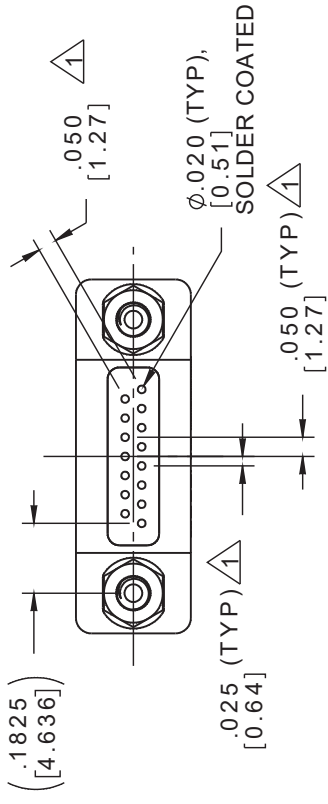
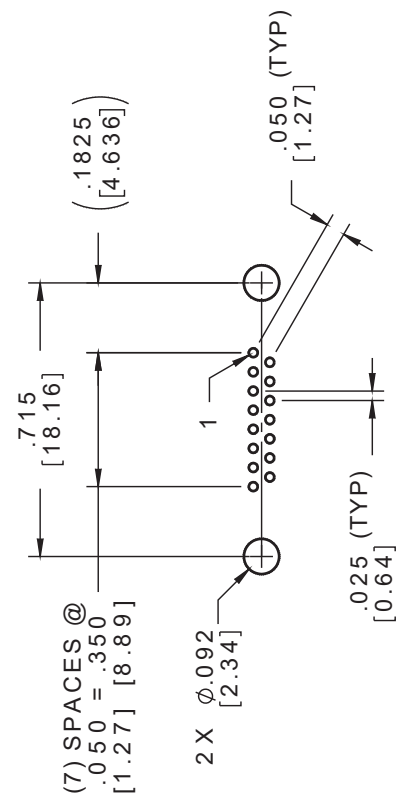
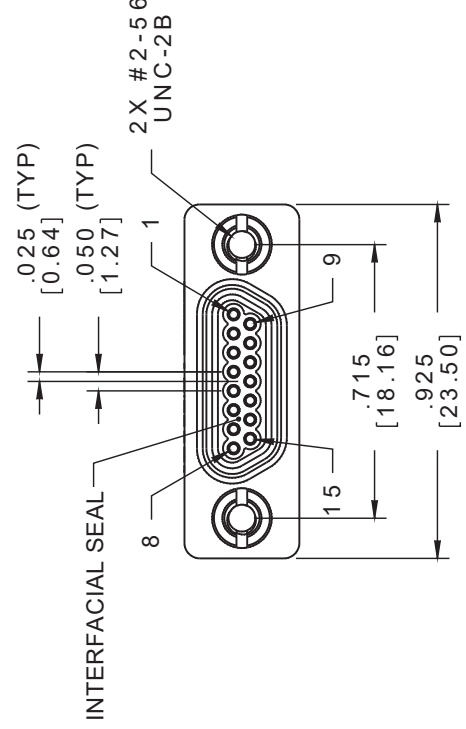
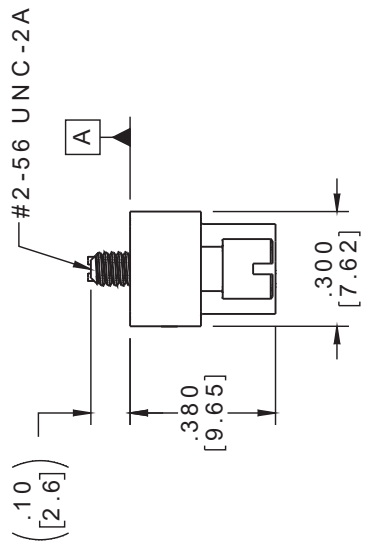
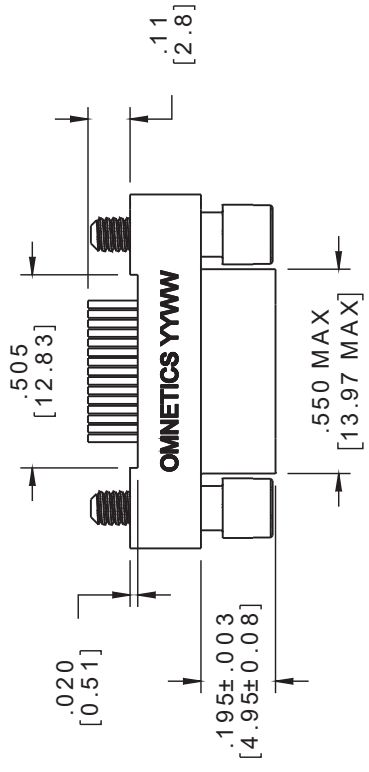


PART NO.	A110987-001	REV	ECO	DATE	APP
		A	104223	02-08-18	HV



ACTUAL SIZE



SUGGESTED HOLE PATTERN

NOTES:

- 1 TAIL DIMENSIONS APPLY AT PLANE A
- DIMENSIONS IN [ ] ARE IN MILLIMETERS UNLESS OTHERWISE NOTED AND ARE FOR REFERENCE ONLY

THIRD ANGLE	OMNETICS	THIS DRAWING CONTAINS CONFIDENTIAL AND PROPRIETARY INFORMATION WHICH IS THE PROPERTY OF OMNETICS CONNECTOR CORP. THIS DOCUMENT MAY NOT BE DUPLICATED, OR DISCLOSED FOR ANY PURPOSE, WITHOUT WRITTEN PERMISSION FROM OMNETICS CONNECTOR CORP.	
MMSD	OMNETICS	DFTM:	HV
CDW	CONNECTOR CORPORATION	CHK'D:	
	7260 COMMERCE CIRCLE EAST	APP'D:	
	MINNEAPOLIS, MN 55432	DATE:	12-28-17
	WWW.OMNETICS.COM	DATE:	
		DATE:	
		TITLE:	(15) SOCKET FEMALE STRAIGHT BOARD MOUNT MICRO-D CONNECTOR
		CAGE CODE	61873
		DWG NO.	A110987-001
		SHEET 1 OF 1	REV
		SCALE:	2:1 A