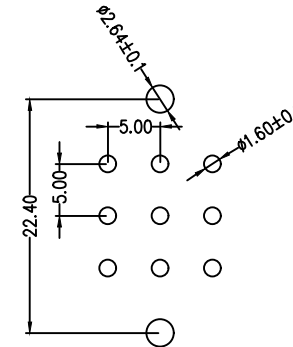
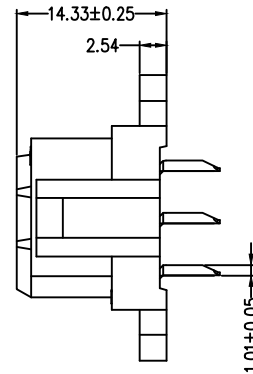
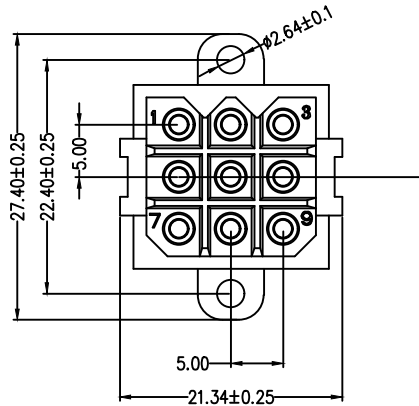
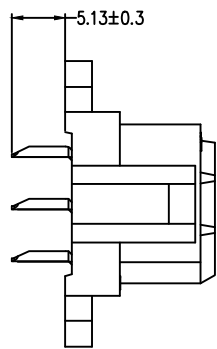
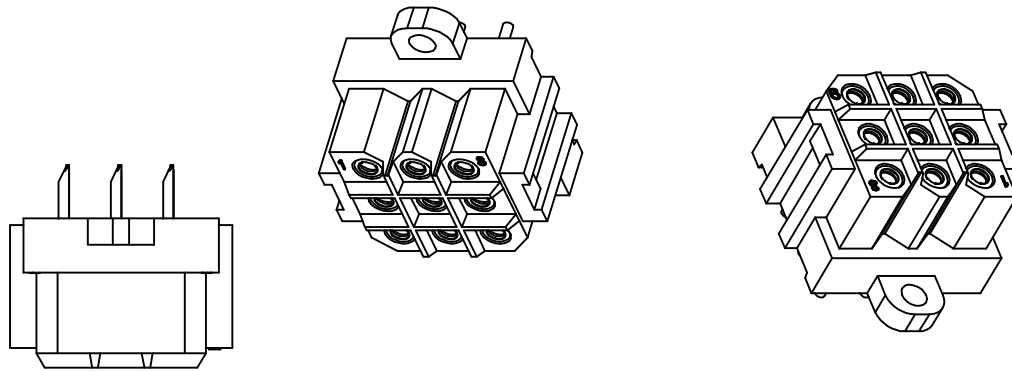


客户确认
签章处



P.C.B Layout

SPECIFICATIONS

Current Rating:	7.5 Amp MAX
Insulator Resistance:	1000 MΩ/1000V
Dielectric Withstanding:	AC 500V1 min
Contact resistance:	20mΩ MAX.
Operating Temp. :	-40℃~+105℃
Insulator Material:	PA66 UL94V-0 Red Color ROHS
Contact Material:	Copper alloy
Plated(*Standard):	Inner Gold Outer tin

NINGBO KLS ELECTRONIC CO; LTD				REV: A0	GENERAL TOLERANCE UNLESS OTHERWISE NOTED	
TITLE: PH5.0 9PIN Socket header reddish brown				UNIT: mm	x.±0.50	x'±5.00"
PART No: L-KLS1-EHD-5.00-3x03-S		DWG NO.		DRAW	Date:	.x±0.25 .x'±2.00"
SCALE 1:1		PROL.		CHECK	Date:	.xx±0.10 .xx'±1.00"
PAGE: 1/1		APPRO.		APPRO.	Date:	.xxx±0.05 .xxx'±0.50"
						Length Angle