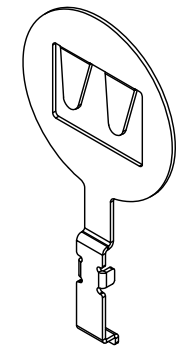
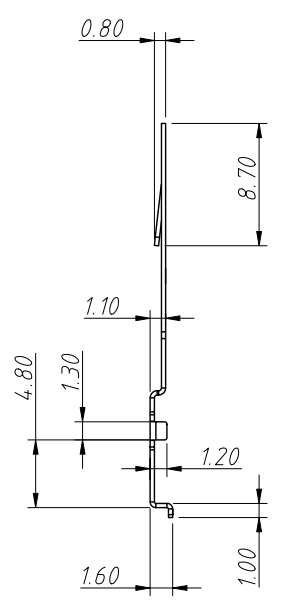
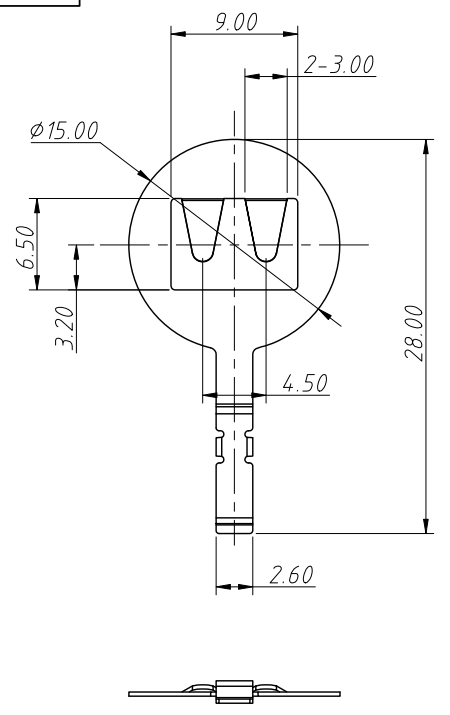
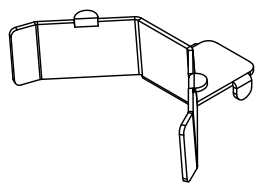
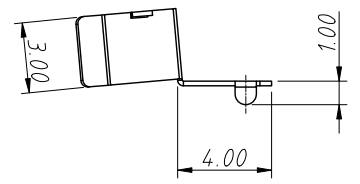
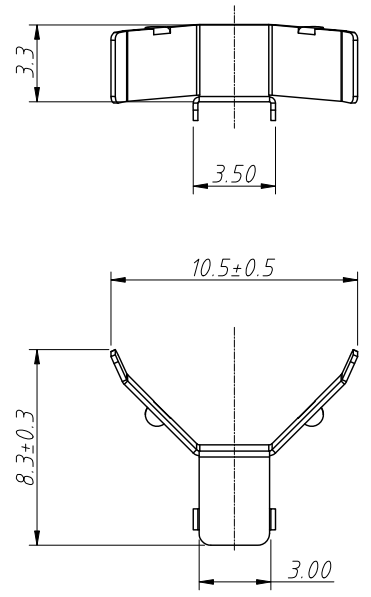


1  
RoHS Compliance

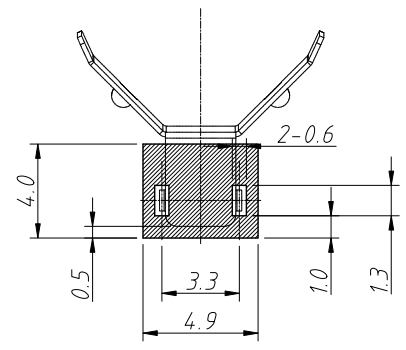


Positive Spring

Notes:  
1.Material:  
Positive Spring:Phosphor Bronze Nickel Plated  
Battery Contact Piece:  
Phosphor Bronze Nickel Plated,T=0.20mm



Battery Contact Piece



PCB Layout Diagram

ANGLE TOLERANCE	PROJECTION	Description:		
±1°		Positive Spring +Battery Contact Piece		
GENERAL TOLERANCE	UNITS	mm	KLS P/N:	L-KLS5-117016-SET
x.x ±0.25	SHEET SIZE	A4	XX	NingBo KLS ELECTRONIC CO.,L TD.
x.xx ±0.20	Draw:	Daniel	2023-06-29	
x.xxx ±0.10	Check:	Daniel	2023-06-29	