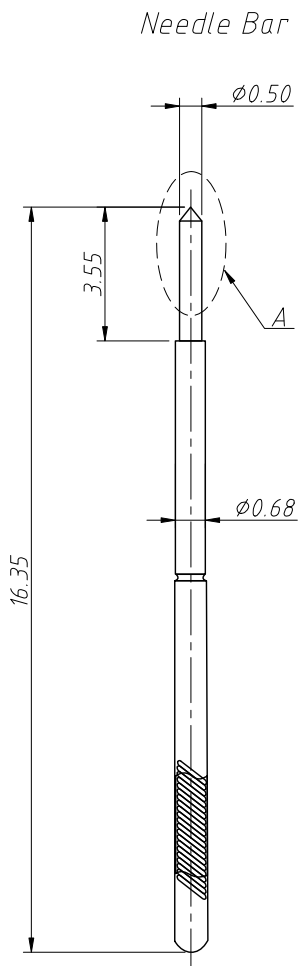
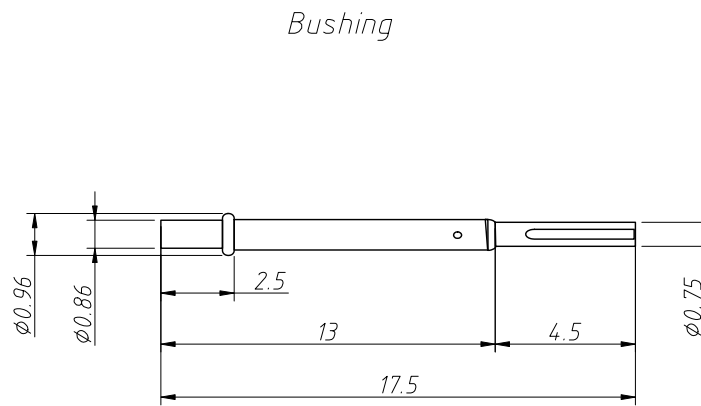


1
RoHS Compliance

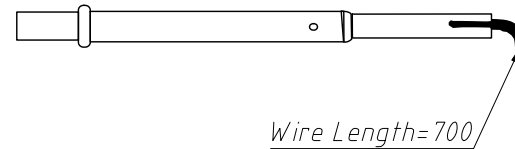
A
B
C
D
E
F
G
H



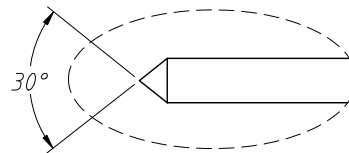
Needle Bar



Bushing



Wire Length=700



Detail A
2:1

Notes:

1.Material:

Needle Bar:Rhodium Or Gold Plating After Heat Treatment Of Imported SK4
Needle Tubing:Phosphor Bronze,Gold Plated
Bushing:Brass,Gold Plated
Spring:Stainless Steel

2.Electric:

Drill Size:φ0.9mm
Rated Current:3A
Contact Resistance:50mΩ
Compaction elasticity:80g,120g
Max Travel:2.65mm
Work Travel:1.77mm

ANGLE TOLERANCE	PROJECTION	Description:	Probe Pin	
±3°				
GENERAL TOLERANCE	UNITS	mm	KLS P/N:	L-KLS1-P13-0123-G
x.x ±0.30	SHEET SIZE	A4	XX	NingBo KLS ELECTRONIC CO.,L TD.
x.xx ±0.20	Draw:	Daniel	2023-07-04	
x.xxx ±0.10	Check:	Daniel	2023-07-04	

1 2 3 4 5 6 7 8