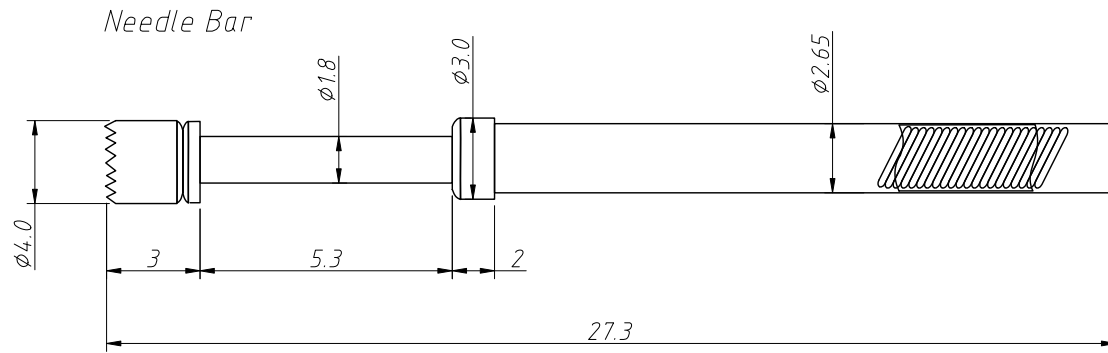


1
RoHS Compliance



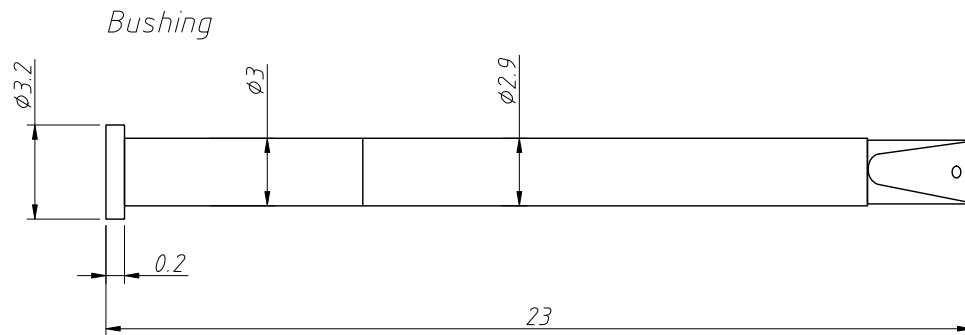
Notes:

1.Material:

Needle Bar:Beryllium Copper,Gold Plated
 Needle Tubing:Phosphor Bronze,Gold Plated
 Bushing:Brass,Gold Plated
 Spring:Stainless Steel

2.Electric:

Drill Size: $\phi 3.0\text{mm}$
 Rated Current:24A
 Rated Resistance:20m Ω
 Compaction Elasticity:450g
 Max Travel:5.3mm
 Work Temperature:-100 $^{\circ}\text{C}$ ~ 200 $^{\circ}\text{C}$



ANGLE TOLERANCE	PROJECTION		Description:	Probe Pin
$\pm 3^{\circ}$				
GENERAL TOLERANCE	UNITS	mm	KLS P/N:	L-KLS1-S25-512-G
x.x ± 0.30	SHEET SIZE	A4	XX	NingBo KLS ELECTRONIC CO.,L TD.
x.xx ± 0.20	Draw:	Daniel	2023-07-05	
x.xxx ± 0.10	Check:	Daniel	2023-07-05	