

1SNK805016R0000 ✓ ACTIVE

ENTRELEC | ENTRELEC SNK

TE Internal #: 1SNK805016R0000

Modular Terminal Blocks, Feed-Through, Screw Clamp Terminal Block, Gray, Product Spacing .204 in [5.2 mm], 2 Position, Push-in, Signal, ENTRELEC SNK

[View on TE.com >](#)



Connectors > Terminal Blocks & Strips > Modular Terminal Blocks



Block Function: **Feed-Through**

Modular Terminal Block Product Type: **Screw Clamp Terminal Block**

Primary Product Color: **Gray**

Product Spacing: **5.2 mm [.204 in]**

Number of Positions: **2**

Features

Product Type Features

| | |
|-------------------------------------|----------------------------|
| Modular Terminal Block Product Type | Screw Clamp Terminal Block |
|-------------------------------------|----------------------------|

Configuration Features

| | |
|---------------------|------------------|
| Gauge Type | A2 / 2.3 mm Dia. |
| Number of Levels | 1 |
| Number of Poles | 2 |
| Number of Circuits | 1 |
| Block Function | Feed-Through |
| Number of Positions | 2 |

Electrical Characteristics

| | |
|--|--------|
| Operating Voltage Rating (UL & CSA) (Max) - Main Circuit | 600 V |
| Impulse Withstanding Voltage Rating (IEC) | 8000 V |
| Voltage Rating (CSA) | 600 V |
| Current Rating (CSA) | 20 A |
| Dielectric Withstanding Voltage (Max) | 2200 V |

| | |
|---|----------|
| Short-Time Withstanding Current Rating @ 1s | 300 A |
| Voltage Rating (IEC) | 1000 V |
| Current Rating (UL) | 20 A |
| Current Rating (IEC) | 22 A |
| Operating Voltage | 1000 VAC |

Body Features

| | |
|-----------------------|---------------|
| Product Weight | 5.66 g[.2 oz] |
| Primary Product Color | Gray |

Termination Features

| | |
|------------------------------------|---------|
| Termination Method to Wire & Cable | Push-in |
|------------------------------------|---------|

Mechanical Attachment

| | |
|-------------------------|-------------------|
| DIN Rail Mounting Type | TH35-15, TH35-7.5 |
| Connector Mounting Type | DIN Rail |

Housing Features

| | |
|------------------|---------------|
| Housing Material | Polyamide 6.6 |
|------------------|---------------|

Dimensions

| | |
|---|---------------------------|
| Main Circuit Capacity - 1 Rigid Stranded Conductor per Spring Clamp | .2 – 4 mm ² |
| Wire Stripping Length | 11 mm[.433 in] |
| Main Circuit Capacity - 1 Non-Insulated Ferrule per Spring Clamp | .22 – 2.5 mm ² |
| Main Circuit Capacity - 1 Insulated Ferrule per Spring Clamp | 26 – 14 AWG |
| Main Circuit Capacity - 1 Flexible Conductor per Spring Clamp | .22 – 2.5 mm ² |
| Tool Size | 3.5 mm[.138 in] |
| Product Depth | 53.6 mm[2.09 in] |
| Product Width | 5.2 mm[.204 in] |
| Product Length | 53.6 mm[2.09 in] |
| Product Height | 54.4 mm |
| Product Spacing | 5.2 mm[.204 in] |
| Wire Size | 2.5 mm ² |

Usage Conditions

| | |
|--------------------------------|----------------------------|
| Installation Temperature Range | -5 – 40 °C[23 – 104 °F] |
| Operating Temperature Range | -55 – 110 °C[-67 – 230 °F] |



Operation/Application

| | |
|---------------------|--------|
| Circuit Application | Signal |
|---------------------|--------|

Industry Standards

| | |
|------------------------|----------|
| IP Rating | IP20 |
| UL Flammability Rating | UL 94V-0 |

Product Compliance

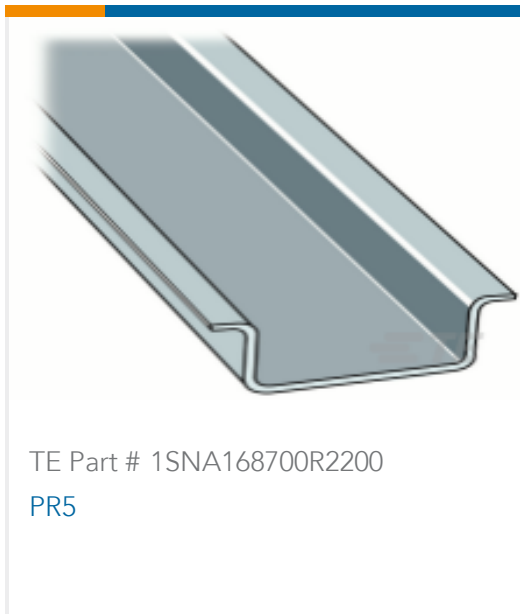
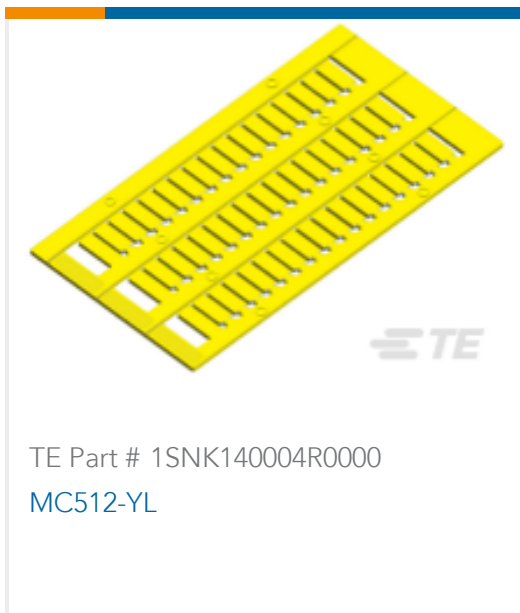
[For compliance documentation, visit the product page on TE.com>](#)

| | |
|---|--|
| EU RoHS Directive 2011/65/EU | Compliant |
| EU ELV Directive 2000/53/EC | Compliant |
| China RoHS 2 Directive MIIT Order No 32, 2016 | No Restricted Materials Above Threshold |
| EU REACH Regulation (EC) No. 1907/2006 | Current ECHA Candidate List: JUNE 2023 (235) Candidate List Declared Against: JAN 2023 (233) Does not contain REACH SVHC |
| Halogen Content | Low Halogen - Br, Cl, F, I < 900 ppm per homogenous material. Also BFR/CFR/PVC Free |
| Solder Process Capability | Not reviewed for solder process capability |

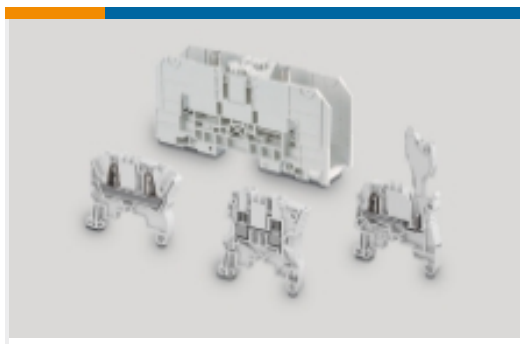
Product Compliance Disclaimer

This information is provided based on reasonable inquiry of our suppliers and represents our current actual knowledge based on the information they provided. This information is subject to change. The part numbers that TE has identified as EU RoHS compliant have a maximum concentration of 0.1% by weight in homogenous materials for lead, hexavalent chromium, mercury, PBB, PBDE, DBP, BBP, DEHP, DIBP, and 0.01% for cadmium, or qualify for an exemption to these limits as defined in the Annexes of Directive 2011/65/EU (RoHS2). Finished electrical and electronic equipment products will be CE marked as required by Directive 2011/65/EU. Components may not be CE marked. Additionally, the part numbers that TE has identified as EU ELV compliant have a maximum concentration of 0.1% by weight in homogenous materials for lead, hexavalent chromium, and mercury, and 0.01% for cadmium, or qualify for an exemption to these limits as defined in the Annexes of Directive 2000/53/EC (ELV). Regarding the REACH Regulation, the information TE provides on SVHC in articles for this part number is based on the latest European Chemicals Agency (ECHA) 'Guidance on requirements for substances in articles' posted at this URL: <https://echa.europa.eu/guidance-documents/guidance-on-reach>

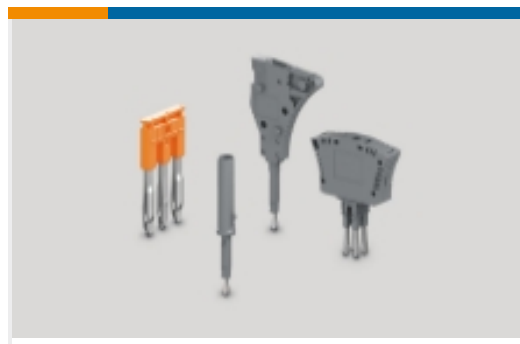
Compatible Parts



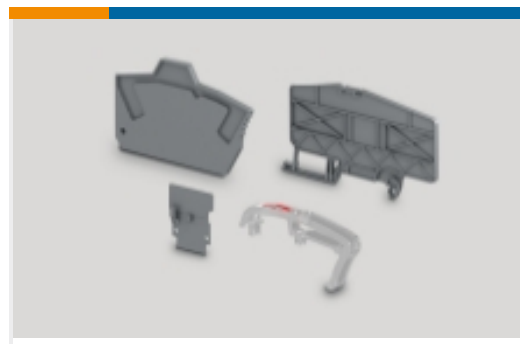
Also in the Series | **ENTRELEC SNK**



Modular Terminal Blocks(320)

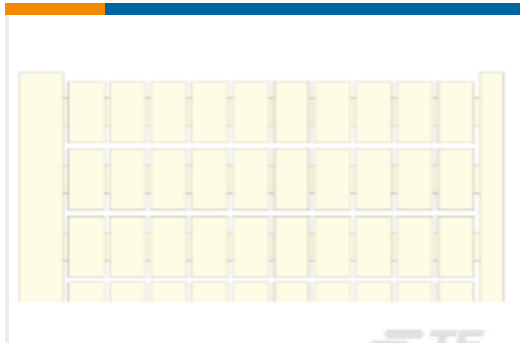


Terminal Block & Strip Conducting Accessories(67)



Terminal Block & Strip Insulating Accessories(31)

Customers Also Bought



TE Part #1SNA231000R0700
RC510



TE Part #1SNA233000R0100
RC610



TE Part #1SNK900001R0000
BAM4



TE Part #1SNL606010R0000
C4/6



TE Part #1SNL606150R0000
C4/6.P



TE Part #1SNL610010R0000
C10/10



TE Part #1SNL900100R0000
EP5-6



TE Part #1SNL906602R0000
BJCI6-2



TE Part #1SNL906603R0000
BJCI6-3



TE Part #1SNL906605R0000
BJCI6-5

Documents

CAD Files

[3D PDF](#)

[3D](#)

Customer View Model

[ENG_CVM_CVM_1SNK805016R0000_A.2d_dxf.zip](#)

English

Customer View Model

[ENG_CVM_CVM_1SNK805016R0000_A.3d_igs.zip](#)

1SNK805016R0000

Modular Terminal Blocks, Feed-Through, Screw Clamp Terminal Block, Gray, Product Spacing .204 in [5.2 mm], 2 Position, Push-in, Signal, ENTRELEC SNK



English

Customer View Model

[ENG_CVM_CVM_1SNK805016R0000_A.3d_stp.zip](#)

English

By downloading the CAD file I accept and agree to the [Terms and Conditions](#) of use.

Datasheets & Catalog Pages

[ENTRELEC Terminal Block - Master Catalog](#)

[ENTRELEC Terminal Block - Master Catalog](#)

English

[SNK SERIES TERMINAL BLOCKS](#)

English

[Essential Entrelec Terminal Blocks](#)

French

[Essential Entrelec Terminal Blocks](#)

English

[Essential Entrelec Terminal Blocks](#)

Japanese

Agency Approvals

[BV_MARINE_34077_B3](#)

English