

SPECIFICATION

FOR

APPROVAL

Customer : _____

Description : Piezo Buzzer _____

SANCO Model No. : EPT-23A4012L95 _____

Customer's Model No. : _____

ISSUE	CHECK	APPROVAL	CUSTOMER
LITAO 2013.01.09	ShiRong 2013.01.09	WUSHAOCANG 2013.01.09	

NINGBO SANCO ELECTRONICS CO., LTD.

Add: Rm10-9, No.580 Ningdong Road, Huanhe Business centre #2 building Ningbo, China

Tel: 86-574-83851068

Fax: 86-574-83851096

E-mail:sales@sancoelectronics.com

<http://www.sancobuzzer.com>

SPECIFICATIONS

Model No.

EPT-23A4012L95

Page

1/5

1. ELECTRICAL AND ACOUSTICAL SPECIFICATION

	Item	Unit	Specifications
1-1	Rated Voltage (Square Wave)	Vp-p	12
1-2	Operating Voltage	Vp-p	3-30
1-3	* Rated Current (Max)	mA	5
1-4	* Min Sound Output at 4.0kHz/10cm	dB	90
1-5	* Resonant Frequency	Hz	4000
1-6	Capacitance at 120Hz	pF	24000±30%
1-7	Operating Temperature	°C	-20~+60
1-8	Storage Temperature	°C	-30~+70
1-9	Weight	g	2
1-10	Housing Material		Black ABS
1-11	Lead Wire		UL1571 AWG30
1-12	Tone Nature		Single

* Value Applying at Rated Voltage (resonant frequency, 1/2 duty, square wave)

Issue No	Description				

NINGBO SANCO ELECTRONICS CO., LTD.

SPECIFICATIONS

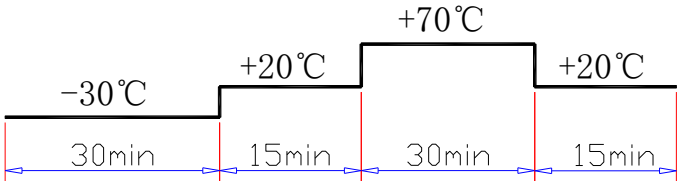
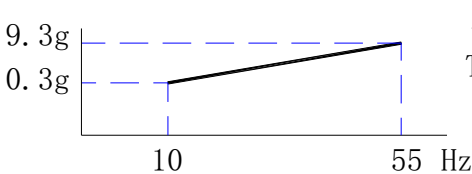
Model No.

EPT-23A4012L95

Page

2/5

2.ENVIRONMENTAL TEST

	Item	Specifications
2-1	Storage in High temp.	Storage in $+70^{\circ}\text{C} \pm 2^{\circ}\text{C}$ test box for 96 hours, then expose to the room temperature for 2 hours without applying power.
2-2	Storage in Low temp.	Storage in $-30^{\circ}\text{C} \pm 2^{\circ}\text{C}$ test box for 96 hours, then expose to the room temperature for 2 hours without applying power.
2-3	Storage in Humidity	Storage in $+40^{\circ}\text{C} \pm 2^{\circ}\text{C}$ 90-95%RH test box for 96 hours, then expose to the room temperature for 2 hours without applying power.
2-4	Thermal cycle test.	 <p>Make this test for 5 cycles without applying power, then expose to the room temperature for 2 hours.</p>
2-5	Vibration test	 <p>Amplitude: 1.5mm Time : 1min/axis</p> <p>Make this test for the directions of X,Y, Z for 2 hours each (total 6 hours).</p>
2-6	Drop test	Free drop a unit from the height 70cm to the surface of 10mm thick board ,three directions(X,Y,Z).

PASS CRITERION :

After these tests , the change of S.P.L shall be within ± 5 dB .

Issue No	Description				

NINGBO SANCO ELECTRONICS CO., LTD.

SPECIFICATIONS

Model No.

EPT-23A4012L95

Page

3/5

3.MEASURING METHOD(BUZZER MODE)

3-1 .Test Condition

3-1-1.STANDARD

Temperature : $25 \pm 3^{\circ}\text{C}$

Relative humidity : 60% ~ 70%,

Atmospheric pressure : 860mbar to 1060mbar

3-1-2.JUDGEMENT

Temperature : 15 ~ 35°C

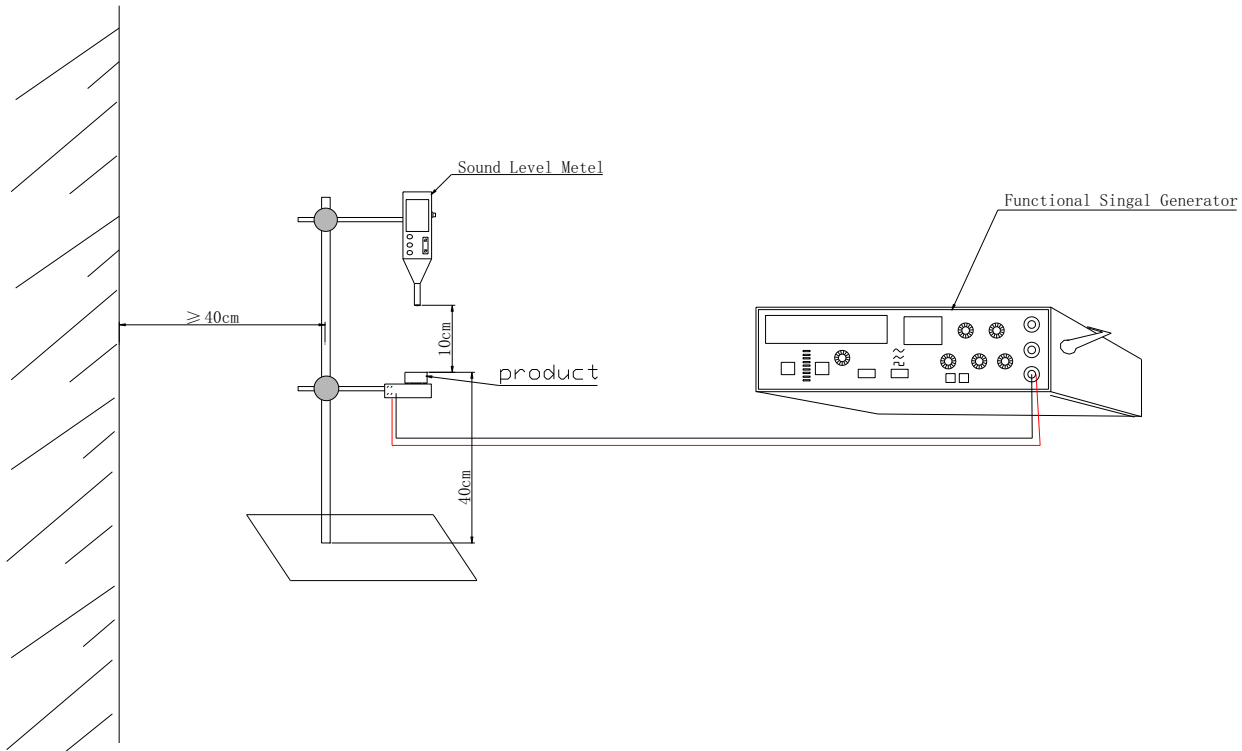
Relative humidity : 45% ~ 85%,

Atmospheric pressure : 860mbar to 1060mbar.

3-2 . Standard Test Fixture

3-2-1.rated Voltage(Square wave):12V

3-2-2.Resonant Frequency:4000Hz



Issue No	Description				

NINGBO SANCO ELECTRONICS CO., LTD.

SPECIFICATIONS

Model No.

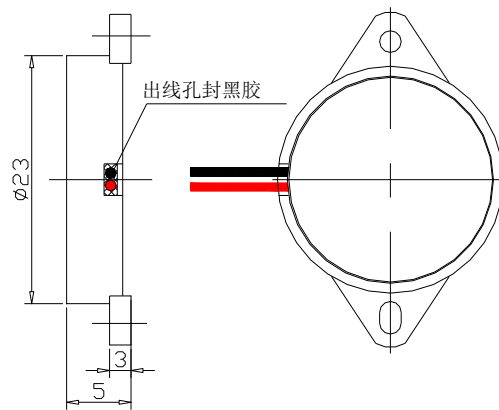
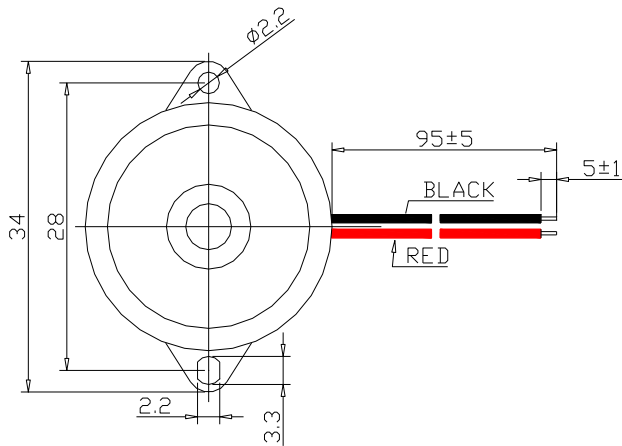
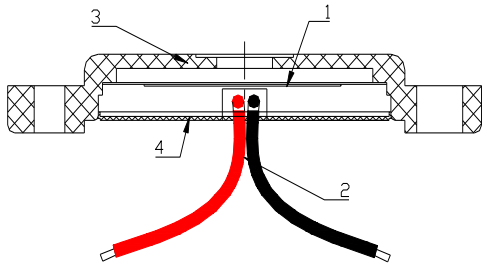
EPT-23A4012L95

Page

4/5

4.DIMENSIONS

Unless otherwise specified, tolerance: ± 0.5 (unit:mm)



- 1) All parts must be meet to ROHS2.0.
- 2) Wave solder and wash not allowed.

Part No.	Part Name	Q'TY	Material	Remark
4	Cover	1	Black ABS	
3	Housing	1	Black ABS	
2	Lead wire	2	Black&Red (UL1571 AWG32)	
1	Piezo element	1	Brass	

Issue No

Description

NINGBO SANCO ELECTRONICS CO., LTD.

SPECIFICATIONS

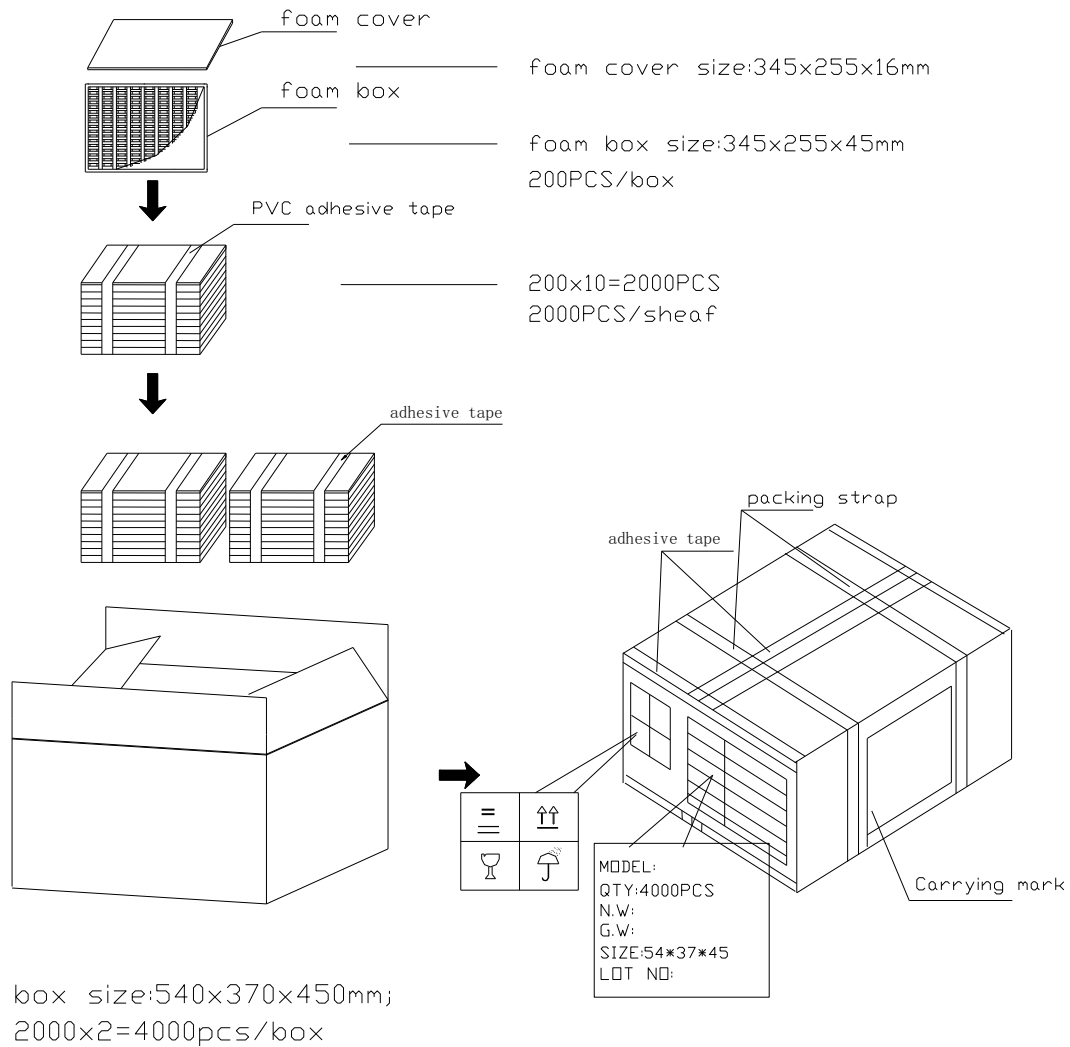
Model No.

EPT-23A4012L95

Page

5/5

5.PACKING



Issue No	Description				

NINGBO SANCO ELECTRONICS CO., LTD.