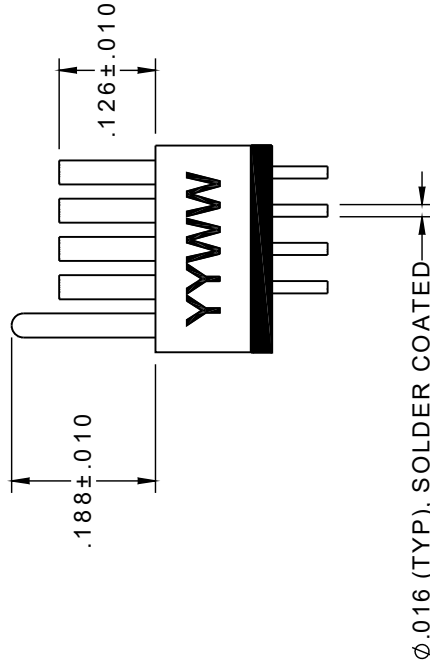
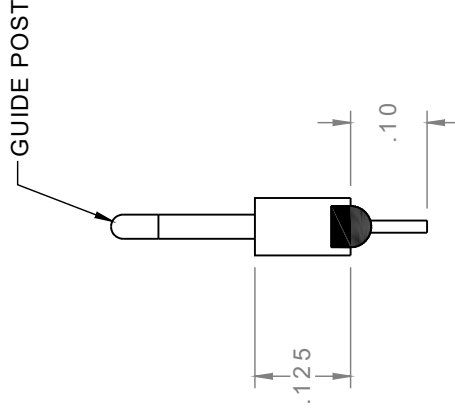
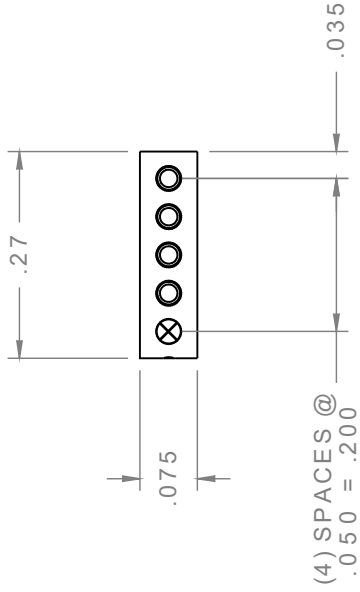


PART NO.	A 100890-001	REV	ECO	DATE	APP
		A	97925	09-15-11	JMJ



ACTUAL SIZE



REF:

THIRD ANGLE		THIS DRAWING CONTAINS CONFIDENTIAL AND PROPRIETARY INFORMATION WHICH IS THE PROPERTY OF OMNINETICS CONNECTOR CORP. THIS DOCUMENT MAY NOT BE DUPLICATED, OR DISCLOSED FOR ANY PURPOSE, WITHOUT WRITTEN PERMISSION FROM OMNINETICS CONNECTOR CORP.		CAGE CODE 61873	
-TOLERANCES- UNLESS OTHERWISE NOTED		DATE		DWG NO.	
DIMENSIONS IN INCHES		09-13-11		A 100890-001	
2 P L D E C ± .01		DATE		SHEET 1 OF 1	
3 P L D E C ± .005		DATE		REV	
4 P L D E C ± .0005		DATE		A	
ANGLES ± 1°		APP'D.		SCALE: 4:1	
S B		DFTM: TLM		OMNINETICS CONNECTOR CORPORATION	
C D W		CHK'D.		7260 COMMERCE CIRCLE EAST MINNEAPOLIS, MN 55432 WWW.OMNINETICS.COM	
		APP'D.		TITLE: (4) SOCKET FEMALE SINGLE ROW CONNECTOR W/GUIDE POST	