

LF347, LF347B JFET-Input Quad Operational Amplifiers

1 Features

- Low Input Bias Current: 50 pA Typical
- Low Input Noise Current: $0.01 \text{ pA}/\sqrt{\text{Hz}}$ Typical
- Low Total Harmonic Distortion
- Low Supply Current: 8 mA Typical
- Gain Bandwidth: 3 MHz Typical
- High Slew Rate: 13 V/ms Typical

2 Applications

- Motor Integrated Systems: UPS
- Drives and Control Solutions: AC Inverters and VF Drives
- Renewables: Solar Inverters
- Pro Audio Mixers
- Oscilloscopes

3 Description

The LF347 and LF347B devices are low-cost, high-speed, JFET-input operational amplifiers. They require low supply current yet maintain a large gain-bandwidth product and a fast slew rate. In addition, their matched high-voltage JFET inputs provide very low input bias and offset current.

The LF347 and LF347B can be used in applications such as high-speed integrators, digital-to-analog converters, sample-and-hold circuits, and many other circuits.

The LF347 and LF347B devices are characterized for operation from 0°C to 70°C.

Device Information⁽¹⁾

| PART NUMBER | PACKAGE | BODY SIZE (NOM) |
|-----------------|-----------|--------------------|
| LF347D, LF347BD | SOIC (14) | 8.65 mm x 3.91 mm |
| LF347N, LF347BN | PDIP (14) | 19.30 mm x 6.35 mm |

(1) For all available packages, see the orderable addendum at the end of the data sheet.

Symbol (Each Amplifier)

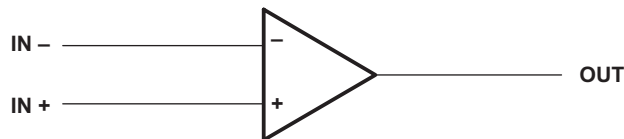


Table of Contents

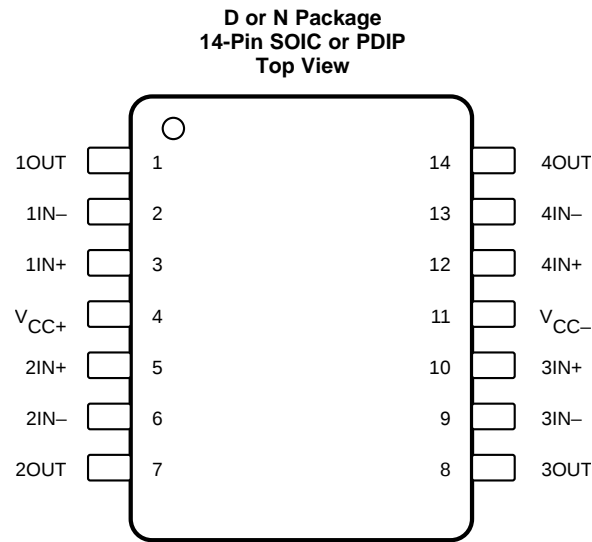
| | | | | | |
|----------|--|----------|-----------|---|-----------|
| 1 | Features | 1 | 8.3 | Feature Description..... | 8 |
| 2 | Applications | 1 | 8.4 | Device Functional Modes..... | 8 |
| 3 | Description | 1 | 9 | Application and Implementation | 9 |
| 4 | Revision History | 2 | 9.1 | Application Information..... | 9 |
| 5 | Pin Configuration and Functions | 3 | 9.2 | Typical Application | 9 |
| 6 | Specifications | 4 | 10 | Power Supply Recommendations | 10 |
| 6.1 | Absolute Maximum Ratings | 4 | 11 | Layout | 10 |
| 6.2 | ESD Ratings | 4 | 11.1 | Layout Guidelines | 10 |
| 6.3 | Recommended Operating Conditions..... | 4 | 11.2 | Layout Example | 11 |
| 6.4 | Thermal Information | 4 | 12 | Device and Documentation Support | 12 |
| 6.5 | Electrical Characteristics: LF347 | 5 | 12.1 | Documentation Support | 12 |
| 6.6 | Electrical Characteristics: LF347B | 5 | 12.2 | Related Links | 12 |
| 6.7 | Switching Characteristics | 6 | 12.3 | Community Resources..... | 12 |
| 6.8 | Typical Characteristics | 6 | 12.4 | Trademarks | 12 |
| 7 | Parameter Measurement Information | 7 | 12.5 | Electrostatic Discharge Caution..... | 12 |
| 8 | Detailed Description | 8 | 12.6 | Glossary | 12 |
| 8.1 | Overview | 8 | 13 | Mechanical, Packaging, and Orderable Information | 12 |
| 8.2 | Functional Block Diagram | 8 | | | |

4 Revision History

NOTE: Page numbers for previous revisions may differ from page numbers in the current version.

| Changes from Revision B (August 1994) to Revision C | Page |
|---|-------------|
| <ul style="list-style-type: none"> Added <i>ESD Ratings</i> table, <i>Feature Description</i> section, <i>Device Functional Modes</i>, <i>Application and Implementation</i> section, <i>Power Supply Recommendations</i> section, <i>Layout</i> section, <i>Device and Documentation Support</i> section, and <i>Mechanical, Packaging, and Orderable Information</i> section | 1 |

5 Pin Configuration and Functions



Pin Functions

| PIN | | I/O | DESCRIPTION |
|-----|------------------|-----|---------------------------------------|
| NO. | NAME | | |
| 1 | 1OUT | O | Output pin of amplifier 1 |
| 2 | 1IN- | I | Inverting input pin of amplifier 1 |
| 3 | 1IN+ | I | Noninverting input pin of amplifier 1 |
| 4 | V _{CC+} | — | Positive Supply |
| 5 | 2IN+ | I | Noninverting input pin of amplifier 2 |
| 6 | 2IN- | I | Inverting input pin of amplifier 2 |
| 7 | 2OUT | O | Output pin of amplifier 2 |
| 8 | 3OUT | O | Output pin of amplifier 3 |
| 9 | 3IN- | I | Inverting input pin of amplifier 3 |
| 10 | 3IN+ | I | Noninverting input pin of amplifier 3 |
| 11 | V _{CC-} | — | Negative Supply |
| 12 | 4IN+ | I | Noninverting input pin of amplifier 4 |
| 13 | 4IN- | I | Inverting input pin of amplifier 4 |
| 14 | 4OUT | O | Output pin of amplifier 4 |

6 Specifications

6.1 Absolute Maximum Ratings

 over operating free-air temperature range (unless otherwise noted)⁽¹⁾

| | | MIN | MAX | UNIT |
|------------------|--|-----|-----|------|
| V _{CC+} | Supply voltage | | 18 | V |
| V _{CC-} | Supply voltage | | -18 | V |
| V _{ID} | Differential input voltage | -30 | 30 | V |
| V _I | Input voltage ⁽²⁾ | -15 | 15 | V |
| | Lead temperature 1,6 mm (1/16 inch) from case for 10 seconds | | 260 | °C |
| T _J | Operating virtual junction temperature | | 150 | °C |
| T _{stg} | Storage temperature | -65 | 150 | °C |

- (1) Stresses beyond those listed under *Absolute Maximum Ratings* may cause permanent damage to the device. These are stress ratings only, which do not imply functional operation of the device at these or any other conditions beyond those indicated under *Recommended Operating Conditions*. Exposure to absolute-maximum-rated conditions for extended periods may affect device reliability.
- (2) Unless otherwise specified, the absolute maximum negative input voltage is equal to the negative power supply voltage.

6.2 ESD Ratings

| | | VALUE | UNIT |
|--------------------|-------------------------|--|-------|
| V _(ESD) | Electrostatic discharge | Human-body model (HBM), per ANSI/ESDA/JEDEC JS-001 ⁽¹⁾ | ±2000 |
| | | Charged-device model (CDM), per JEDEC specification JESD22-C101 ⁽²⁾ | ±1000 |

- (1) JEDEC document JEP155 states that 500-V HBM allows safe manufacturing with a standard ESD control process.
- (2) JEDEC document JEP157 states that 250-V CDM allows safe manufacturing with a standard ESD control process.

6.3 Recommended Operating Conditions

over operating free-air temperature range (unless otherwise noted)

| | | MIN | MAX | UNIT |
|------------------|-----------------------|----------------------|----------------------|------|
| T _A | free-air temperature | 0 | 70 | °C |
| V _{CC+} | Supply voltage | 3.5 | 18 | V |
| V _{CC-} | Supply voltage | -3.5 | -18 | V |
| V _{CM} | Common-mode voltage | V _{CC-} + 4 | V _{CC+} - 4 | V |
| T _A | Operating temperature | 0 | 70 | °C |

6.4 Thermal Information

| THERMAL METRIC ⁽¹⁾ | LF347, LF347B | | UNIT | |
|-------------------------------|--|----------|------|------|
| | D (SOIC) | N (PDIP) | | |
| | 14 PINS | 14 PINS | | |
| R _{θJA} | Junction-to-ambient thermal resistance | 74.4 | 42.7 | °C/W |
| R _{θJC(top)} | Junction-to-case (top) thermal resistance | 32.5 | 29.2 | °C/W |
| R _{θJB} | Junction-to-board thermal resistance | 28.9 | 22.6 | °C/W |
| ψ _{JT} | Junction-to-top characterization parameter | 3.7 | 13.5 | °C/W |
| ψ _{JB} | Junction-to-board characterization parameter | 28.6 | 22.5 | °C/W |

- (1) For more information about traditional and new thermal metrics, see the *Semiconductor and IC Package Thermal Metrics* application report, [SPRA953](#).

6.5 Electrical Characteristics: LF347

over operating free-air temperature range (unless otherwise noted)

| PARAMETER | | TEST CONDITIONS | | MIN | TYP | MAX | UNIT |
|----------------|---|---|---------------------------|----------|------------|-----|------------------------------|
| V_{IO} | Input offset voltage | $V_{IC} = 0, R_S = 10\text{ k}\Omega$ | 25°C | | 5 | 10 | mV |
| | | | Full range ⁽¹⁾ | | | 13 | |
| α_{VIO} | Average temperature coefficient of input offset voltage | $V_{IC} = 0, R_S = 10\text{ k}\Omega$ | | | 18 | | $\mu\text{V}/^\circ\text{C}$ |
| I_{IO} | Input offset current ⁽²⁾ | $V_{IC} = 0$ | 25°C | | 25 | 100 | pA |
| | | | 70°C | | | 4 | nA |
| I_{IB} | Input bias current ⁽²⁾ | $V_{IC} = 0$ | 25°C | | 50 | 200 | pA |
| | | | 70°C | | | 8 | nA |
| V_{ICR} | Common-mode input voltage | Lower limit of range | | -11 | -12 | | V |
| | | Upper limit of range | | 11 | 15 | | |
| V_{OM} | Maximum peak output voltage swing | $R_L = 10\text{ k}\Omega$ | | ± 12 | ± 13.5 | | V |
| A_{VD} | Large signal differential voltage | $V_O = \pm 10\text{ V}, R_L = 2\text{ k}\Omega$ | 25°C | | 25 | 100 | V/mV |
| | | | Full range | | 15 | | |
| r_i | Input resistance | $T_A = 25^\circ\text{C}$ | | | 10^{12} | | Ω |
| CMRR | Common-mode rejection ratio | $R_S \leq 2\text{ k}\Omega$ | | 70 | 100 | | dB |
| k_{SVR} | Supply-voltage rejection ratio | See ⁽³⁾ | | 70 | 100 | | dB |
| I_{CC} | Supply current | | | | 8 | 11 | mA |

(1) Full range is 0°C to 70°C.

(2) Input bias currents of a FET-input operational amplifier are normal junction reverse currents, which are temperature sensitive. Pulse techniques must be used that will maintain the junction temperatures as close to the ambient temperature as possible.

(3) Supply-voltage rejection ratio is measured for both supply magnitudes increasing or decreasing simultaneously.

6.6 Electrical Characteristics: LF347B

over operating free-air temperature range (unless otherwise noted)

| PARAMETER | | TEST CONDITIONS | | MIN | TYP | MAX | UNIT |
|----------------|---|---|---------------------------|----------|------------|-----|------------------------------|
| V_{IO} | Input offset voltage | $V_{IC} = 0, R_S = 10\text{ k}\Omega$ | 25°C | | 3 | 5 | mV |
| | | | Full range ⁽¹⁾ | | | 7 | |
| α_{VIO} | Average temperature coefficient of input offset voltage | $V_{IC} = 0, R_S = 10\text{ k}\Omega$ | | | 18 | | $\mu\text{V}/^\circ\text{C}$ |
| I_{IO} | Input offset current ⁽²⁾ | $V_{IC} = 0$ | 25°C | | 25 | 100 | pA |
| | | | 70°C | | | 4 | nA |
| I_{IB} | Input bias current ⁽²⁾ | $V_{IC} = 0$ | 25°C | | 50 | 200 | pA |
| | | | 70°C | | | 8 | nA |
| V_{ICR} | Common-mode input voltage | Lower limit of range | | -11 | -12 | | V |
| | | Upper limit of range | | 11 | 15 | | |
| V_{OM} | Maximum peak output voltage swing | $R_L = 10\text{ k}\Omega$ | | ± 12 | ± 13.5 | | V |
| A_{VD} | Large signal differential voltage | $V_O = \pm 10\text{ V}, R_L = 2\text{ k}\Omega$ | 25°C | | 50 | 100 | V/mV |
| | | | Full range | | 25 | | |
| r_i | Input resistance | $T_A = 25^\circ\text{C}$ | | | 10^{12} | | Ω |
| CMRR | Common-mode rejection ratio | $R_S \leq 2\text{ k}\Omega$ | | 80 | 100 | | dB |
| k_{SVR} | Supply-voltage rejection ratio | See ⁽³⁾ | | 80 | 100 | | dB |
| I_{CC} | Supply current | | | | 8 | 11 | mA |

(1) Full range is 0°C to 70°C.

(2) Input bias currents of a FET-input operational amplifier are normal junction reverse currents, which are temperature sensitive. Pulse techniques must be used that will maintain the junction temperatures as close to the ambient temperature as possible.

(3) Supply-voltage rejection ratio is measured for both supply magnitudes increasing or decreasing simultaneously.

6.7 Switching Characteristics

$V_{CC\pm} = \pm 15\text{ V}$, $T_A = 25^\circ\text{C}$

| PARAMETER | | TEST CONDITIONS | | MIN | TYP | MAX | UNIT |
|-------------------|--------------------------------|--|--|-----|------|-----|------------------------|
| SR | Slew rate at unity gain | $V_I = 10\text{ V}$, $C_L = 100\text{ pF}$, | $R_L = 2\text{ k}\Omega$, See Figure 5 | 8 | 13 | | V/ μs |
| B_1 | Unity-gain bandwidth | | | | 3 | | MHz |
| V_{O1} / V_{O2} | Crosstalk attenuation | $f = 1\text{ kHz}$ | | | 120 | | dB |
| V_n | Equivalent input noise voltage | $R_S = 20\ \Omega$ | $f = 1\text{ kHz}$ | | 18 | | nV/ $\sqrt{\text{Hz}}$ |
| | | | $f = 10\text{ Hz to } 10\text{ kHz}$ | | 4 | | μV |
| I_n | Equivalent input noise current | $R_S = 20\ \Omega$, | $f = 1\text{ kHz}$ | | 0.01 | | pA/ $\sqrt{\text{Hz}}$ |

6.8 Typical Characteristics

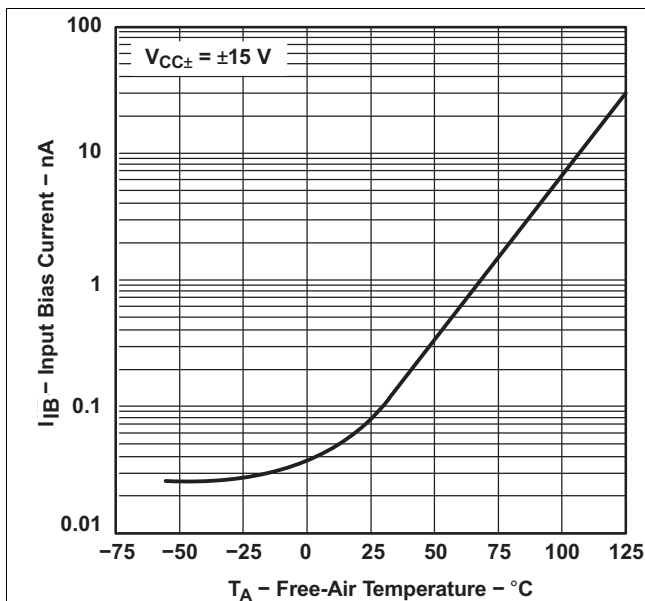


Figure 1. Input Bias Current vs Free-Air Temperature

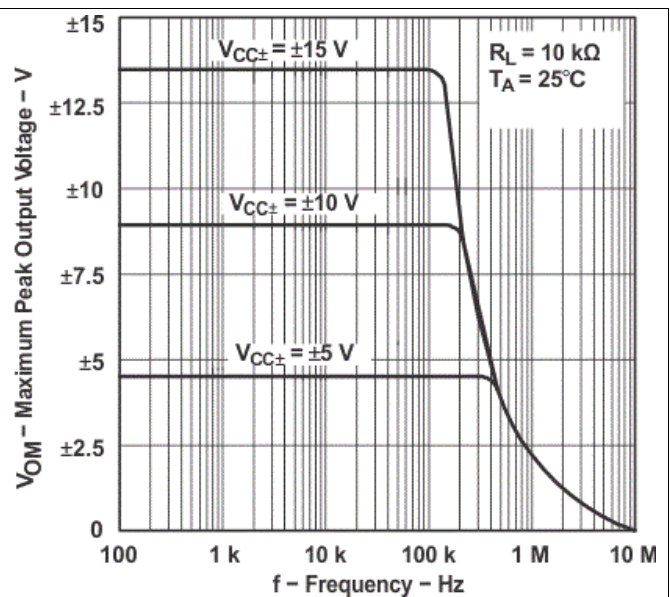


Figure 2. Maximum Peak Output Voltage vs Frequency

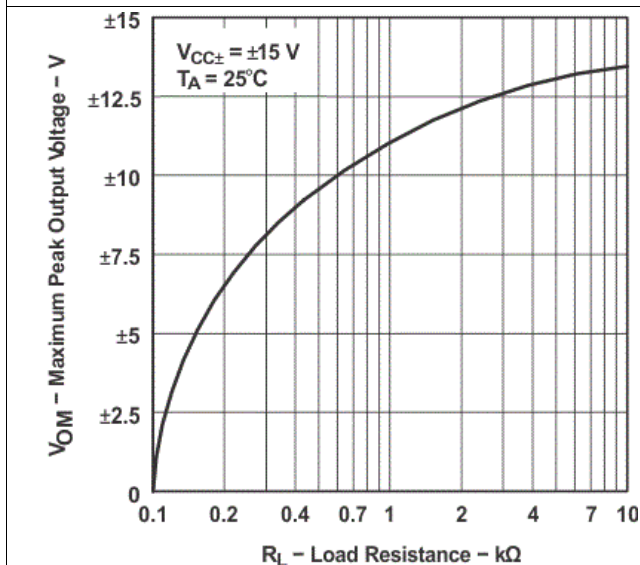


Figure 3. Maximum Peak Output Voltage vs Load Resistance

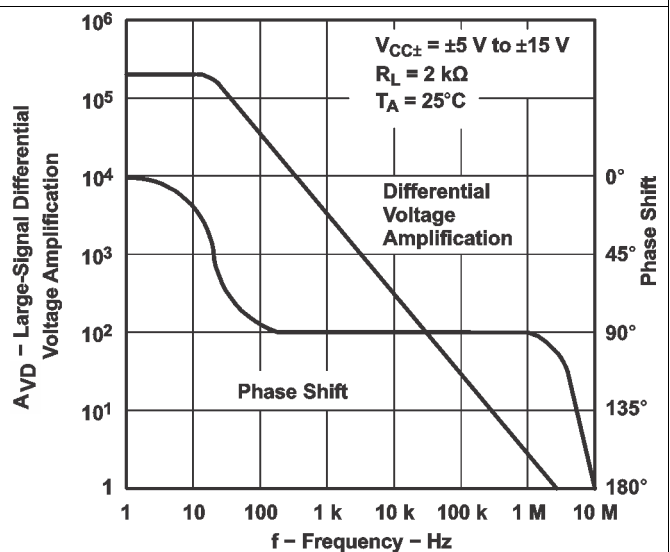


Figure 4. Large-Signal Differential Voltage Amplification and Phase Shift vs Frequency

7 Parameter Measurement Information

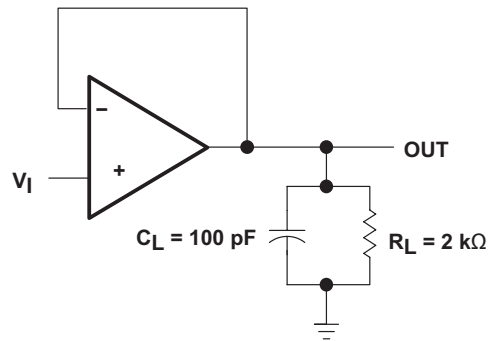


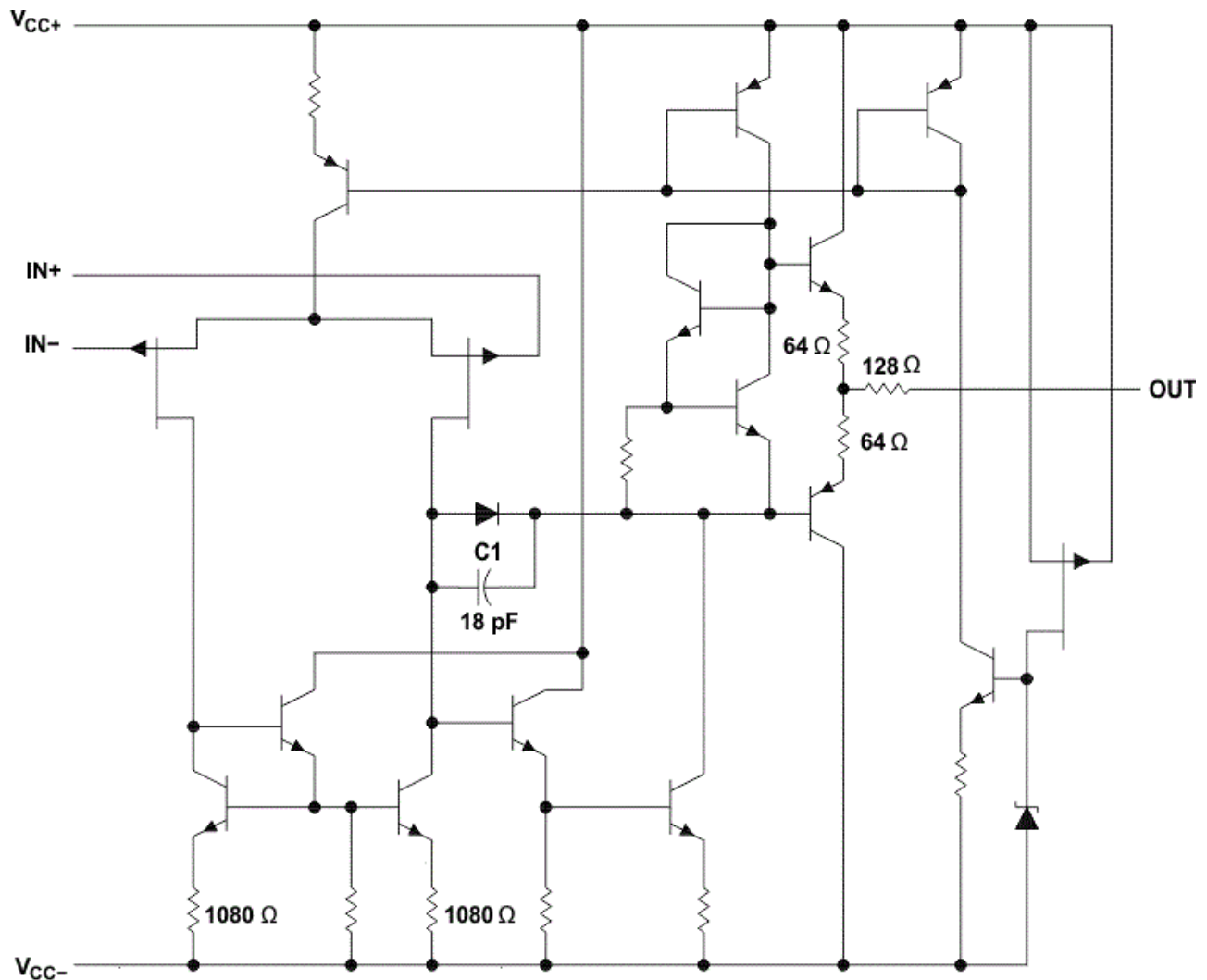
Figure 5. Unity-Gain Amplifier

8 Detailed Description

8.1 Overview

The LF347 is a JFET-input operational amplifier with low input bias and offset currents and fast slew rate. Each amplifier features JFET inputs (for high input impedance) coupled with bipolar output stages integrated on a single monolithic chip. The output is protected against shorts due to the resistive 200- Ω output impedance.

8.2 Functional Block Diagram



8.3 Feature Description

8.3.1 Slew Rate

The slew rate is the rate at which an operational amplifier can change its output when there is a change on the input. These devices have a 13-V/ μ s slew rate.

8.4 Device Functional Modes

These devices are powered on when the supply is connected. This device can be operated as a single-supply operational amplifier or dual-supply amplifier depending on the application.

9 Application and Implementation

NOTE

Information in the following applications sections is not part of the TI component specification, and TI does not warrant its accuracy or completeness. TI's customers are responsible for determining suitability of components for their purposes. Customers should validate and test their design implementation to confirm system functionality.

9.1 Application Information

The LF347 has four independent amplifiers that have very low input bias current which allow using higher resistance resistors in the feedback network. The upper input common mode range typically goes to the positive supply rail. The lower common mode range does not include the negative supply rail; it must be at least 4-V greater. Output resistance is 200 Ω to protect the device from accidental shorts.

9.2 Typical Application

A typical application for an operational amplifier is an inverting amplifier. This amplifier takes a positive voltage on the input, and makes it a negative voltage of the same magnitude. In the same manner, it also makes negative voltages positive.

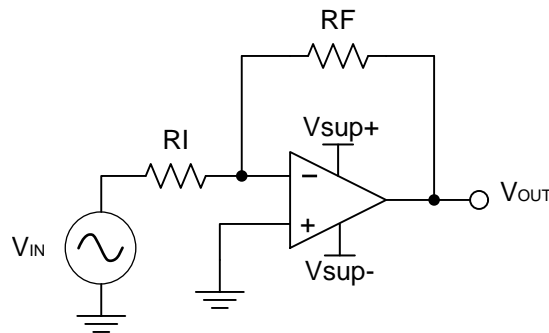


Figure 6. Inverting Amplifier

9.2.1 Design Requirements

The supply voltage must be chosen such that it is larger than the input voltage range and output range. For instance, this application scales a signal of ± 0.5 V to ± 1.8 V. Setting the supply at ± 12 V is sufficient to accommodate this application.

9.2.2 Detailed Design Procedure

Determine the gain required by the inverting amplifier:

$$A_v = \frac{V_{OUT}}{V_{IN}} \quad (1)$$

$$A_v = \frac{1.8}{-0.5} = -3.6 \quad (2)$$

When the desired gain is determined, choose a value for R_I or R_F . Choosing a value in the $k\Omega$ range is desirable because the amplifier circuit uses currents in the milliamp range. This ensures the part does not draw too much current. For this example, choose 10 $k\Omega$ for R_I which means 36 $k\Omega$ is used for R_F , as determined by Equation 3.

$$A_v = -\frac{R_F}{R_I} \quad (3)$$

Typical Application (continued)

9.2.3 Application Curve

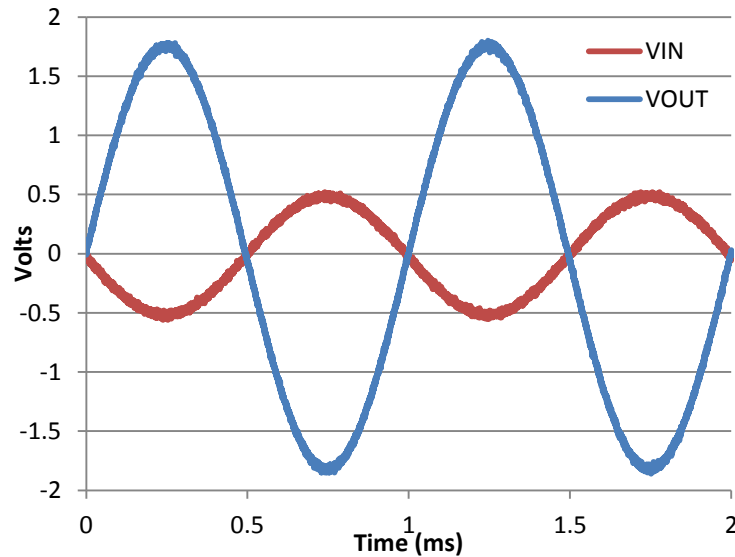


Figure 7. Input and Output Voltages of the Inverting Amplifier

10 Power Supply Recommendations

CAUTION

Supply voltages larger than 36 V for a single-supply or outside the range of ± 18 V for a dual-supply can permanently damage the device (see [Absolute Maximum Ratings](#)).

Place the 0.1- μ F bypass capacitors close to the power-supply pins to reduce errors coupling in from noisy or high-impedance power supplies. For more detailed information on bypass capacitor placement, see [Layout Example](#).

11 Layout

11.1 Layout Guidelines

For best operational performance of the device, use good PCB layout practices, including:

- Noise can propagate into analog circuitry through the power pins of the circuit as a whole, as well as the operational amplifier. Bypass capacitors are used to reduce the coupled noise by providing low impedance power sources local to the analog circuitry.
 - Connect low-ESR, 0.1- μ F ceramic bypass capacitors between each supply pin and ground, placed as close to the device as possible. A single bypass capacitor from V+ to ground is applicable for single supply applications.
- Separate grounding for analog and digital portions of circuitry is one of the simplest and most-effective methods of noise suppression. One or more layers on multilayer PCBs are usually devoted to ground planes. A ground plane helps distribute heat and reduces EMI noise pickup. Make sure to physically separate digital and analog grounds, paying attention to the flow of the ground current. For more detailed information, see the chapter extract, *Circuit Board Layout Techniques* (SLOA089).
- To reduce parasitic coupling, run the input traces as far away from the supply or output traces as possible. If it is not possible to keep them separate, it is much better to cross the sensitive trace perpendicular as opposed to in parallel with the noisy trace.
- Place the external components as close to the device as possible. Keeping RF and RG close to the inverting

Layout Guidelines (continued)

input minimizes parasitic capacitance, as shown in [Layout Example](#).

- Keep the length of input traces as short as possible. Always remember that the input traces are the most sensitive part of the circuit.
- Consider a driven, low-impedance guard ring around the critical traces. A guard ring can significantly reduce leakage currents from nearby traces that are at different potentials.

11.2 Layout Example

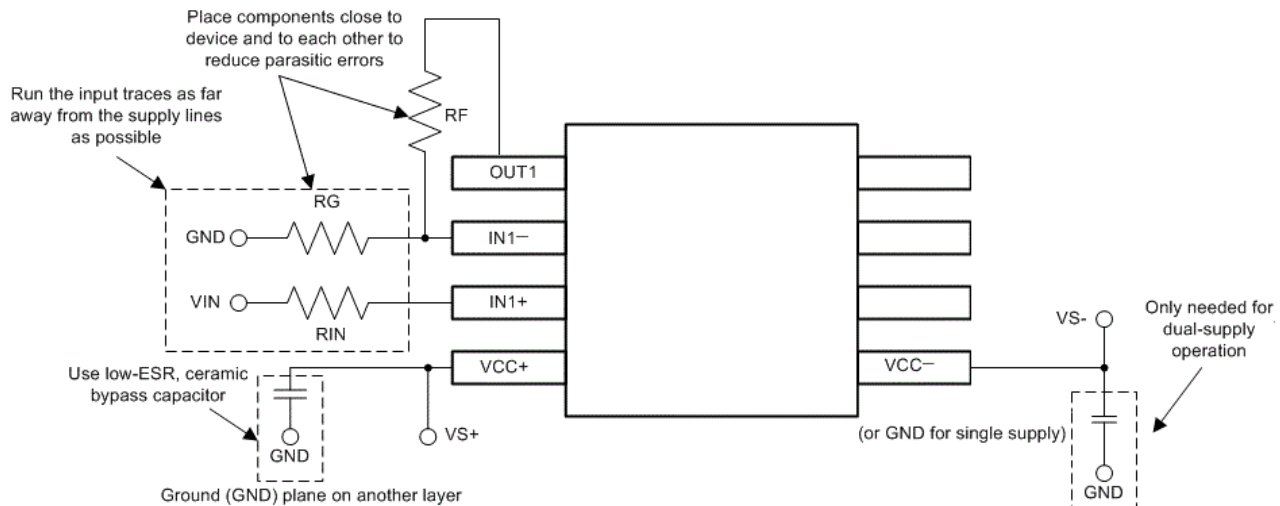


Figure 8. Operational Amplifier Board Layout for Noninverting Configuration

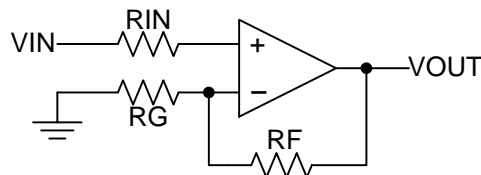


Figure 9. Operational Amplifier Schematic for Noninverting Configuration

12 Device and Documentation Support

12.1 Documentation Support

12.1.1 Related Documentation

For related documentation, see the following

Circuit Board Layout Techniques, [SLOA089](#)

12.2 Related Links

The table below lists quick access links. Categories include technical documents, support and community resources, tools and software, and quick access to sample or buy.

Table 1. Related Links

| PARTS | PRODUCT FOLDER | SAMPLE & BUY | TECHNICAL DOCUMENTS | TOOLS & SOFTWARE | SUPPORT & COMMUNITY |
|--------|----------------------------|----------------------------|----------------------------|----------------------------|----------------------------|
| LF347 | Click here | Click here | Click here | Click here | Click here |
| LF347B | Click here | Click here | Click here | Click here | Click here |

12.3 Community Resources

The following links connect to TI community resources. Linked contents are provided "AS IS" by the respective contributors. They do not constitute TI specifications and do not necessarily reflect TI's views; see TI's [Terms of Use](#).

TI E2E™ Online Community *TI's Engineer-to-Engineer (E2E) Community*. Created to foster collaboration among engineers. At e2e.ti.com, you can ask questions, share knowledge, explore ideas and help solve problems with fellow engineers.

Design Support *TI's Design Support* Quickly find helpful E2E forums along with design support tools and contact information for technical support.

12.4 Trademarks

E2E is a trademark of Texas Instruments.

All other trademarks are the property of their respective owners.

12.5 Electrostatic Discharge Caution



These devices have limited built-in ESD protection. The leads should be shorted together or the device placed in conductive foam during storage or handling to prevent electrostatic damage to the MOS gates.

12.6 Glossary

[SLYZ022](#) — *TI Glossary*.

This glossary lists and explains terms, acronyms, and definitions.

13 Mechanical, Packaging, and Orderable Information

The following pages include mechanical, packaging, and orderable information. This information is the most current data available for the designated devices. This data is subject to change without notice and revision of this document. For browser-based versions of this data sheet, refer to the left-hand navigation.

PACKAGING INFORMATION

| Orderable Device | Status (1) | Package Type | Package Drawing | Pins | Package Qty | Eco Plan (2) | Lead finish/ Ball material (6) | MSL Peak Temp (3) | Op Temp (°C) | Device Marking (4/5) | Samples |
|------------------|---------------|--------------|-----------------|------|-------------|-----------------|--------------------------------------|----------------------|--------------|-------------------------|---------|
| LF347BD | LIFEBUY | SOIC | D | 14 | 50 | RoHS & Green | NIPDAU | Level-1-260C-UNLIM | 0 to 70 | LF347B | |
| LF347BDR | ACTIVE | SOIC | D | 14 | 2500 | RoHS & Green | NIPDAU | Level-1-260C-UNLIM | 0 to 70 | LF347B | Samples |
| LF347BN | ACTIVE | PDIP | N | 14 | 25 | RoHS & Green | NIPDAU | N / A for Pkg Type | 0 to 70 | LF347BN | Samples |
| LF347D | LIFEBUY | SOIC | D | 14 | 50 | RoHS & Green | NIPDAU | Level-1-260C-UNLIM | 0 to 70 | LF347 | |
| LF347DG4 | LIFEBUY | SOIC | D | 14 | 50 | RoHS & Green | NIPDAU | Level-1-260C-UNLIM | 0 to 70 | LF347 | |
| LF347DR | ACTIVE | SOIC | D | 14 | 2500 | RoHS & Green | NIPDAU | Level-1-260C-UNLIM | 0 to 70 | LF347 | Samples |
| LF347DRG4 | ACTIVE | SOIC | D | 14 | 2500 | RoHS & Green | NIPDAU | Level-1-260C-UNLIM | 0 to 70 | LF347 | Samples |
| LF347N | ACTIVE | PDIP | N | 14 | 25 | RoHS & Green | NIPDAU | N / A for Pkg Type | 0 to 70 | LF347N | Samples |
| LF347NE4 | ACTIVE | PDIP | N | 14 | 25 | RoHS & Green | NIPDAU | N / A for Pkg Type | 0 to 70 | LF347N | Samples |

(1) The marketing status values are defined as follows:

ACTIVE: Product device recommended for new designs.

LIFEBUY: TI has announced that the device will be discontinued, and a lifetime-buy period is in effect.

NRND: Not recommended for new designs. Device is in production to support existing customers, but TI does not recommend using this part in a new design.

PREVIEW: Device has been announced but is not in production. Samples may or may not be available.

OBSELETE: TI has discontinued the production of the device.

(2) **RoHS:** TI defines "RoHS" to mean semiconductor products that are compliant with the current EU RoHS requirements for all 10 RoHS substances, including the requirement that RoHS substance do not exceed 0.1% by weight in homogeneous materials. Where designed to be soldered at high temperatures, "RoHS" products are suitable for use in specified lead-free processes. TI may reference these types of products as "Pb-Free".

RoHS Exempt: TI defines "RoHS Exempt" to mean products that contain lead but are compliant with EU RoHS pursuant to a specific EU RoHS exemption.

Green: TI defines "Green" to mean the content of Chlorine (Cl) and Bromine (Br) based flame retardants meet JS709B low halogen requirements of <=1000ppm threshold. Antimony trioxide based flame retardants must also meet the <=1000ppm threshold requirement.

(3) MSL, Peak Temp. - The Moisture Sensitivity Level rating according to the JEDEC industry standard classifications, and peak solder temperature.

(4) There may be additional marking, which relates to the logo, the lot trace code information, or the environmental category on the device.

(5) Multiple Device Markings will be inside parentheses. Only one Device Marking contained in parentheses and separated by a "-" will appear on a device. If a line is indented then it is a continuation of the previous line and the two combined represent the entire Device Marking for that device.

⁽⁶⁾ Lead finish/Ball material - Orderable Devices may have multiple material finish options. Finish options are separated by a vertical ruled line. Lead finish/Ball material values may wrap to two lines if the finish value exceeds the maximum column width.

Important Information and Disclaimer: The information provided on this page represents TI's knowledge and belief as of the date that it is provided. TI bases its knowledge and belief on information provided by third parties, and makes no representation or warranty as to the accuracy of such information. Efforts are underway to better integrate information from third parties. TI has taken and continues to take reasonable steps to provide representative and accurate information but may not have conducted destructive testing or chemical analysis on incoming materials and chemicals. TI and TI suppliers consider certain information to be proprietary, and thus CAS numbers and other limited information may not be available for release.

In no event shall TI's liability arising out of such information exceed the total purchase price of the TI part(s) at issue in this document sold by TI to Customer on an annual basis.

TAPE AND REEL INFORMATION

QUADRANT ASSIGNMENTS FOR PIN 1 ORIENTATION IN TAPE


*All dimensions are nominal

| Device | Package Type | Package Drawing | Pins | SPQ | Reel Diameter (mm) | Reel Width W1 (mm) | A0 (mm) | B0 (mm) | K0 (mm) | P1 (mm) | W (mm) | Pin1 Quadrant |
|----------|--------------|-----------------|------|------|--------------------|--------------------|---------|---------|---------|---------|--------|---------------|
| LF347BDR | SOIC | D | 14 | 2500 | 330.0 | 16.4 | 6.5 | 9.0 | 2.1 | 8.0 | 16.0 | Q1 |
| LF347DR | SOIC | D | 14 | 2500 | 330.0 | 16.4 | 6.5 | 9.0 | 2.1 | 8.0 | 16.0 | Q1 |
| LF347DR | SOIC | D | 14 | 2500 | 330.0 | 16.4 | 6.5 | 9.0 | 2.1 | 8.0 | 16.0 | Q1 |

TAPE AND REEL BOX DIMENSIONS


*All dimensions are nominal

| Device | Package Type | Package Drawing | Pins | SPQ | Length (mm) | Width (mm) | Height (mm) |
|----------|--------------|-----------------|------|------|-------------|------------|-------------|
| LF347BDR | SOIC | D | 14 | 2500 | 340.5 | 336.1 | 32.0 |
| LF347DR | SOIC | D | 14 | 2500 | 356.0 | 356.0 | 35.0 |
| LF347DR | SOIC | D | 14 | 2500 | 340.5 | 336.1 | 32.0 |

TUBE


*All dimensions are nominal

| Device | Package Name | Package Type | Pins | SPQ | L (mm) | W (mm) | T (μm) | B (mm) |
|----------|--------------|--------------|------|-----|--------|--------|--------|--------|
| LF347BD | D | SOIC | 14 | 50 | 507 | 8 | 3940 | 4.32 |
| LF347BN | N | PDIP | 14 | 25 | 506 | 13.97 | 11230 | 4.32 |
| LF347BN | N | PDIP | 14 | 25 | 506 | 13.97 | 11230 | 4.32 |
| LF347BN | N | PDIP | 14 | 25 | 506 | 13.97 | 11230 | 4.32 |
| LF347D | D | SOIC | 14 | 50 | 507 | 8 | 3940 | 4.32 |
| LF347DG4 | D | SOIC | 14 | 50 | 507 | 8 | 3940 | 4.32 |
| LF347N | N | PDIP | 14 | 25 | 506 | 13.97 | 11230 | 4.32 |
| LF347N | N | PDIP | 14 | 25 | 506 | 13.97 | 11230 | 4.32 |
| LF347N | N | PDIP | 14 | 25 | 506 | 13.97 | 11230 | 4.32 |
| LF347NE4 | N | PDIP | 14 | 25 | 506 | 13.97 | 11230 | 4.32 |
| LF347NE4 | N | PDIP | 14 | 25 | 506 | 13.97 | 11230 | 4.32 |
| LF347NE4 | N | PDIP | 14 | 25 | 506 | 13.97 | 11230 | 4.32 |

D (R-PDSO-G14)

PLASTIC SMALL OUTLINE



4040047-5/M 06/11

- NOTES:
- A. All linear dimensions are in inches (millimeters).
 - B. This drawing is subject to change without notice.
 - $\triangle C$ Body length does not include mold flash, protrusions, or gate burrs. Mold flash, protrusions, or gate burrs shall not exceed 0.006 (0,15) each side.
 - $\triangle D$ Body width does not include interlead flash. Interlead flash shall not exceed 0.017 (0,43) each side.
 - E. Reference JEDEC MS-012 variation AB.

D (R-PDSO-G14)

PLASTIC SMALL OUTLINE



- NOTES:
- All linear dimensions are in millimeters.
 - This drawing is subject to change without notice.
 - Publication IPC-7351 is recommended for alternate designs.
 - Laser cutting apertures with trapezoidal walls and also rounding corners will offer better paste release. Customers should contact their board assembly site for stencil design recommendations. Refer to IPC-7525 for other stencil recommendations.
 - Customers should contact their board fabrication site for solder mask tolerances between and around signal pads.

N (R-PDIP-T**)

PLASTIC DUAL-IN-LINE PACKAGE

16 PINS SHOWN



- NOTES:
- A. All linear dimensions are in inches (millimeters).
 - B. This drawing is subject to change without notice.
 - Falls within JEDEC MS-001, except 18 and 20 pin minimum body length (Dim A).
 - The 20 pin end lead shoulder width is a vendor option, either half or full width.

IMPORTANT NOTICE AND DISCLAIMER

TI PROVIDES TECHNICAL AND RELIABILITY DATA (INCLUDING DATA SHEETS), DESIGN RESOURCES (INCLUDING REFERENCE DESIGNS), APPLICATION OR OTHER DESIGN ADVICE, WEB TOOLS, SAFETY INFORMATION, AND OTHER RESOURCES "AS IS" AND WITH ALL FAULTS, AND DISCLAIMS ALL WARRANTIES, EXPRESS AND IMPLIED, INCLUDING WITHOUT LIMITATION ANY IMPLIED WARRANTIES OF MERCHANTABILITY, FITNESS FOR A PARTICULAR PURPOSE OR NON-INFRINGEMENT OF THIRD PARTY INTELLECTUAL PROPERTY RIGHTS.

These resources are intended for skilled developers designing with TI products. You are solely responsible for (1) selecting the appropriate TI products for your application, (2) designing, validating and testing your application, and (3) ensuring your application meets applicable standards, and any other safety, security, regulatory or other requirements.

These resources are subject to change without notice. TI grants you permission to use these resources only for development of an application that uses the TI products described in the resource. Other reproduction and display of these resources is prohibited. No license is granted to any other TI intellectual property right or to any third party intellectual property right. TI disclaims responsibility for, and you will fully indemnify TI and its representatives against, any claims, damages, costs, losses, and liabilities arising out of your use of these resources.

TI's products are provided subject to [TI's Terms of Sale](#) or other applicable terms available either on [ti.com](https://www.ti.com) or provided in conjunction with such TI products. TI's provision of these resources does not expand or otherwise alter TI's applicable warranties or warranty disclaimers for TI products.

TI objects to and rejects any additional or different terms you may have proposed.

Mailing Address: Texas Instruments, Post Office Box 655303, Dallas, Texas 75265
Copyright © 2023, Texas Instruments Incorporated