

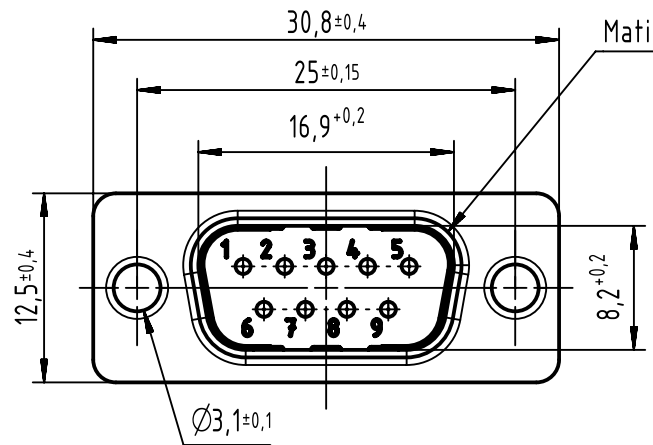
1 2 3 4 5 6

A

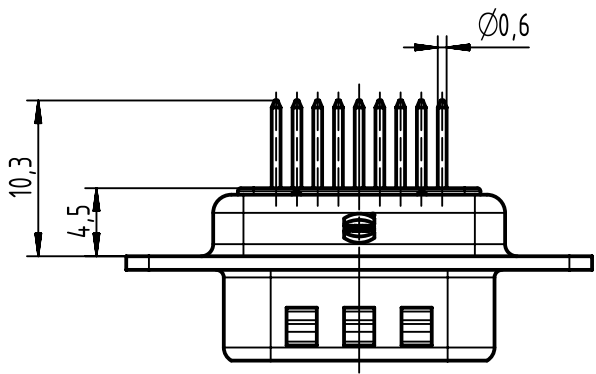
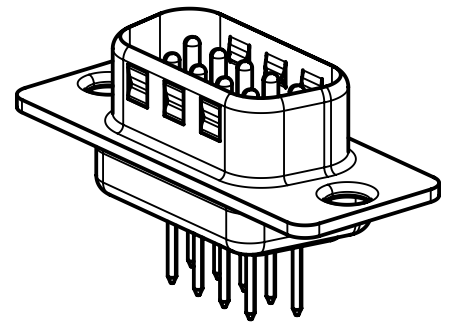
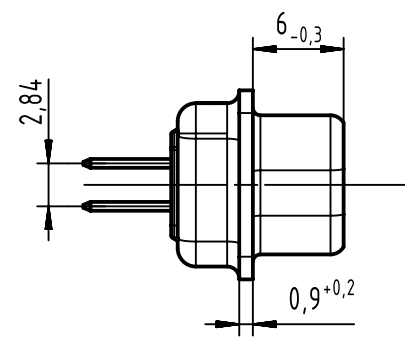
B

C

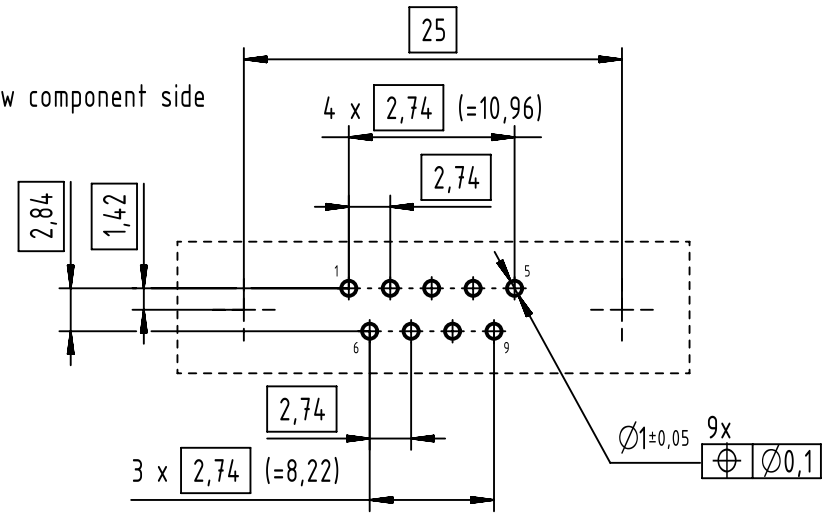
D



Mating face according to MIL-C-24308 / DIN 41652 / CECC 75301-802



PCB layout view component side



09 67 009 5655	PL2
09 67 009 5654	PL3
Part number	Performance level

	All rights reserved Department EL PD HARTING Electronics GmbH D-32339 Espelkamp	All Dimensions in mm Original Size DIN A4	Scale 2:1	Free size tol.	Ref. Sub.
		Created by ZHUANGJ	Inspected by LUOK	Standardisation HOFFMANN	Date 2018-05-02
Title D-Sub male 9-pole straight assembly					Doc-Key / ECM-Nr. 100578444/UGD/000/B 500000132564
Type TB		Number 0967009565X			Rev. B
					Page 1/1